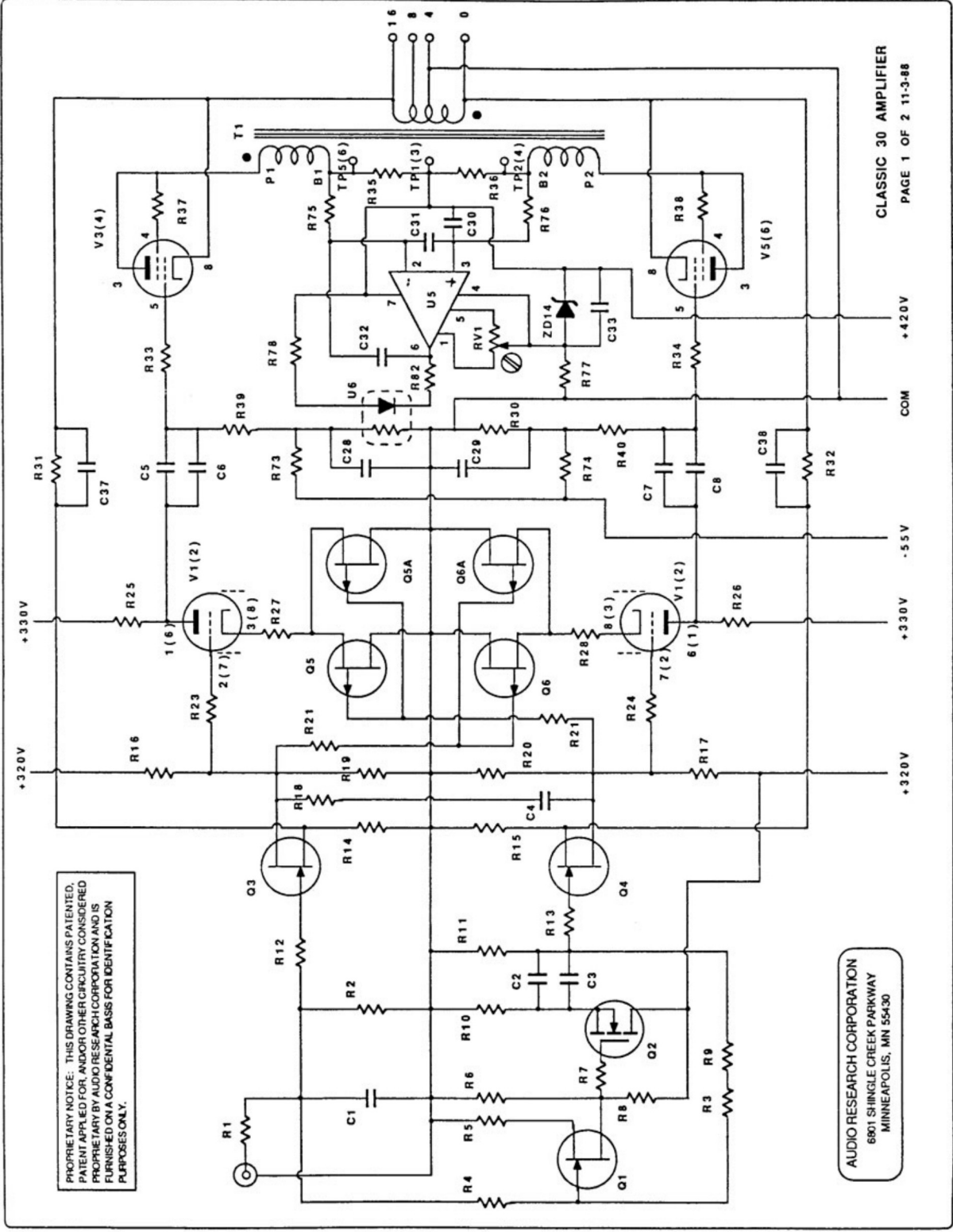


PROPRIETARY NOTICE: THIS DRAWING CONTAINS PATENTED, PATENT APPLIED FOR, AND/OR OTHER CIRCUITRY CONSIDERED PROPRIETARY BY AUDIO RESEARCH CORPORATION AND IS FURNISHED ON A CONFIDENTIAL BASIS FOR IDENTIFICATION PURPOSES ONLY.



AUDIO RESEARCH CORPORATION
 6801 SHINGLE CREEK PARKWAY
 MINNEAPOLIS, MN 55430

PARTS LIST

As of OCT 28 88

PRODUCT: CL30

CL30

NOTES:

| Schematic Symbol | Quantity | ARC Part# | Description |
|-------------------------------|----------|-----------|-----------------------------|
| CAPACITORS | | | |
| C 1,1A | 4 | 53150202 | CAP. 150 PF 2 1/2% 630V PPN |
| C 2,5,7,13,17,24,27,41 | 11 | 53100406 | CAP. .01 MFD +/- 10% 630 V |
| C 3 | 2 | 53100606 | CAP. 1 MFD +/- 10% 250V |
| C 4 | 2 | 53330200 | CAP. 330 PF 2 1/2% 160V |
| C 6,8 | 4 | 53100800 | CAP. 1 MFD 450V |
| C 9,10 | 2 | 50800801 | CAP. 800MF 450V GRAY |
| C 11,12 18,25 | 4 | 53200602 | CAP. 2 MFD+/-10% 450V |
| C 14,15,16,20,21,23,30,32,34 | 11 | 53220507 | CAP. .22 MF 10% 160V |
| C 19 | 1 | 50470802 | CAP. 470 MF 100V LYTIC |
| C 22 | 1 | 53200603 | CAP. 2 MFD +/- 10% 250V |
| C 26 | 1 | 50680800 | CAP. 680 MFD 35V |
| C 28,29,33,35,39 | 8 | 53100408 | CAP. .01 MF 10% 63V PPN |
| C 31 | 2 | 53220306 | CAP. 2200 PF 10% 100VDC |
| C 36 | 1 | 51220601 | CAP. 2.2 MF +/- 10% 25V |
| C 37,38 | 4 | 53560103 | CAP. 56 PFD +/- 2% 630V DPN |
| C 40 | 1 | 53470511 | CAP. .47MF +/- 20% 250V |
| DIODES | | | |
| D 1,6,7,8,9,10,11,12,13 | 9 | 30500400 | IN4005 GENERAL INSTRUMENT |
| D 2,3,4,5 | 4 | 30503310 | EDAL #M4G5 |
| D 14,15,16,17 | 4 | 30500910 | FAIRCHILD IN916B |
| FUSES | | | |
| F 1(120V) | 1 | 34500701 | FUSE, D120 MDX4 SLO BLOW |
| F 1(100V) | 1 | 34500505 | FUSE, MDX5/MDL5 |
| F 1(220/240V) | 1 | 34501301 | FUSE, MDX-2 |
| F 2 | 3 | 34500102 | FUSE, BUSSMAN AGC 1/4 |
| PANEL INDICATOR | | | |
| LE 1,2 | 2 | 34300102 | LED,COLLAR & RETAINING RING |
| TRANSISTORS | | | |
| Q 1 | 2 | 30006503 | FET, WHITE ORANGE |
| Q 2 | 2 | 30006723 | FET, ORANGE RED ORANGE |
| Q 3,4 | 4 | 30006527 | FET, WHITE RED VIOLET |
| Q 5,6 | 4 | 30006401 | FET, BLUE BROWN |
| Q 7 | 1 | 30006836 | FET, GREEN BLUE |
| Q 8 | 1 | 30006200 | MTP 2P45 |
| Q 9 | 1 | 30007102 | FET, YELLOW RED |
| Q 10 | 1 | 30002800 | TRANSISTOR, 2N4401 |
| Q 11 | 1 | 30007029 | FET, GRAY WHITE |
| RESISTORS | | | |
| R 1 | 2 | 42100314 | RES. 1K 1% MK-5 50PPM |
| R 2 | 2 | 42432503 | RES. 432K 1% MK-3 50PPM |
| R 3,46 | 3 | 42499303 | RES. 4.99K 1% MK-3 50PPM |
| R 4,9 | 4 | 42127503 | RES. 127K 1% MK-3 50PPM |
| R 5,12,13,14,15,21,22 | 14 | 42150203 | RES. 150 OHM 1% MK-3 50PPM |
| R 6 | 2 | 42215403 | RES. 21.5K 1% MK-3 50PPM |
| R 7,51,52,53,54 | 6 | 42100203 | RES. 100 OHM 1% MK-3 50PPM |
| R 8,25,25A,26,26A,44,45,61,62 | 14 | 42100505 | RES. 100 1% MK-8 50PPM |
| R 10,27A,28A,73,73A,74,74A | 14 | 42392303 | RES. 3.92K 1% MK-3 50PPM |
| R 11 | 2 | 42100603 | RES. 1 MEG 1% MK-3 50PPM |
| R 16,17 | 4 | 42825405 | RES. 82.5K 1% MK-8 50PPM |
| R 18,30,30A,57,81 | 8 | 42150403 | RES. 15K 1% MK-3 50PPM |
| R 19,19A,20,20A,58,78,80 | 13 | 42750303 | RES. 7.5K 1% MK-3 50PPM |
| R 23,24 | 4 | 42499203 | RES. 499 OHM 1% MK-3 50PPM |
| R 27,28 | 4 | 42301303 | RES. 3.01K 1% MK-3 50PPM |
| R 29 | 1 | 42432103 | RES. 43.2 OHM 1% MK-3 50PPM |
| R 31,32 | 4 | 42511313 | RES. 5.11K 1% MK-4 50PPM |
| R 33,34,65,66 | 6 | 42100303 | RES. 1K 1% MK-3 50PPM |
| R 35,36 | 4 | 43050004 | RES. 0.5 OHM +/- 2% 3W W.W. |
| R 37,38, | 4 | 43100200 | RES. 100 OHM 5% 2W |
| R 39,40 | 4 | 42100503 | RES. 100K +/- 1% MK-3 50PPM |
| R 41 | 1 | 46100201 | RES. POWER OX.100 OHM 5% 3W |
| R 42,79 | 2 | 42301503 | RES. 301K 1% MK-3 50PPM |
| R 43 | 1 | 42392403 | RES. 39.2K 1% MK-3 50PPM |

PARTS LIST

As of OCT 28 88

PRODUCT: CL30

CL30

NOTES:

| Schematic Symbol | Quantity | ARC Part# | Description |
|------------------|----------|-----------|-------------------------------|
| R 47,47A | 2 | 42178403 | RES. 17.8K 1% MK-3 50PPM |
| R 48 | 1 | 42280513 | RES. 280K1% MK-4 50PPM |
| R 48A | 1 | 42750503 | RES. 750K 1% MK-3 50PPM |
| R 49 | 1 | 42332203 | RES. 332 OHM 1% MK-3 50PPM |
| R 50,60 | 2 | 43100002 | RES. 1 OHM 2W 5% W.W. |
| R 55 | 1 | 42549103 | RES. 54.9 OHM 1% MK-3 50PPM |
| R 56 | 1 | 42357403 | RES. 35.7K 1% MK-3 50PPM |
| R 59 | 1 | 42274403 | RES. 27.4K 1% MK-3 50PPM |
| R 63,64 | 2 | 42100703 | RES. 10 MEG 1% MK-3 50PPM |
| R 67 | 1 | 42100403 | RES. 10K+/-1% MK-3 50PPM |
| R 68 | 1 | 42121503 | RES. 121K 1% MK-350PPM |
| R 69,77 | 3 | 42300514 | RES. 300K 1% MK-5 50PPM |
| R 70 | 1 | 42121303 | RES. 1.21K 1% MK-3 50PPM |
| R 71,72 | 2 | 42100103 | RES. 10 OHM 1% MK-3 50PPM |
| R 75,76 | 4 | 42464603 | RES. 4.64 MEG. 1% MK-3 50PPM |
| R 80 | 1 | 42162503 | RES. 162K 1% MK-3 50PPM |
| | | | CONTROLS |
| RV 1 | 2 | 45500301 | TRIM POT, 5K 10% 15 TURN |
| RV 2 | 1 | 45100527 | POT. 100 K 10% |
| | | | RELAYS |
| RY 1 | 1 | 64101200 | RELAY, 24V T90 POWER ON |
| | | | SWITCHES |
| SW 1 | 1 | 24100900 | TOGGLE SW., SHORT BAR, AMP. |
| | | | TRANSFORMERS |
| T 1 | 2 | 60005610 | XFR.CL30, OUTPUT REV. A |
| T 2 | 1 | 60005801 | XFR. D70/CL30 ALL-TAP REV.D |
| | | | THERMISTORS |
| TH 1,2 | 2 | 47000400 | THERMISTOR 50 OHM |
| | | | INTEGRATED CIRCUITS |
| U 1,2 | 2 | 31002200 | MC 34071 P MOTOROLA |
| U 3 | 1 | 31001900 | TLO71CP |
| U 4 | 1 | 31002700 | MC7915 CT MOT. |
| U 6 | 2 | 34400120 | PHOTO COUPLER |
| | | | VACUUM TUBES |
| V 1,2 | 2 | 32000201 | VAC.TUBE, 6CG7/6FQ7 |
| V 3,4,5,6 | 4 | 32000501 | VAC.TUBE, 6550 [TESTED] |
| | | | ZENER DIODES |
| ZD 1 | 1 | 30504200 | IN5535A |
| ZD 2,13 | 2 | 30500300 | IN 4740A |
| ZD 3,4,7,8 | 4 | 31000705 | LM329DZ |
| ZD 5 | 1 | 30503500 | IN5359 B |
| ZD 6 | 1 | 30501800 | IN5245B |
| ZD 9,10,11 | 3 | 30503700 | DIODE, Z20 10% |
| ZD 12 | 1 | 30503600 | TZB 250A TRANSIENT SUPPRESSOR |
| ZD 14 | 2 | 30502700 | IN4742-A |
| ZD 15 | 1 | 30504700 | DIODE, 1N5262B |
| ZD 16 | 1 | 31002600 | ZENER DIODE, TL431CLP ADJ |