

6/5/56

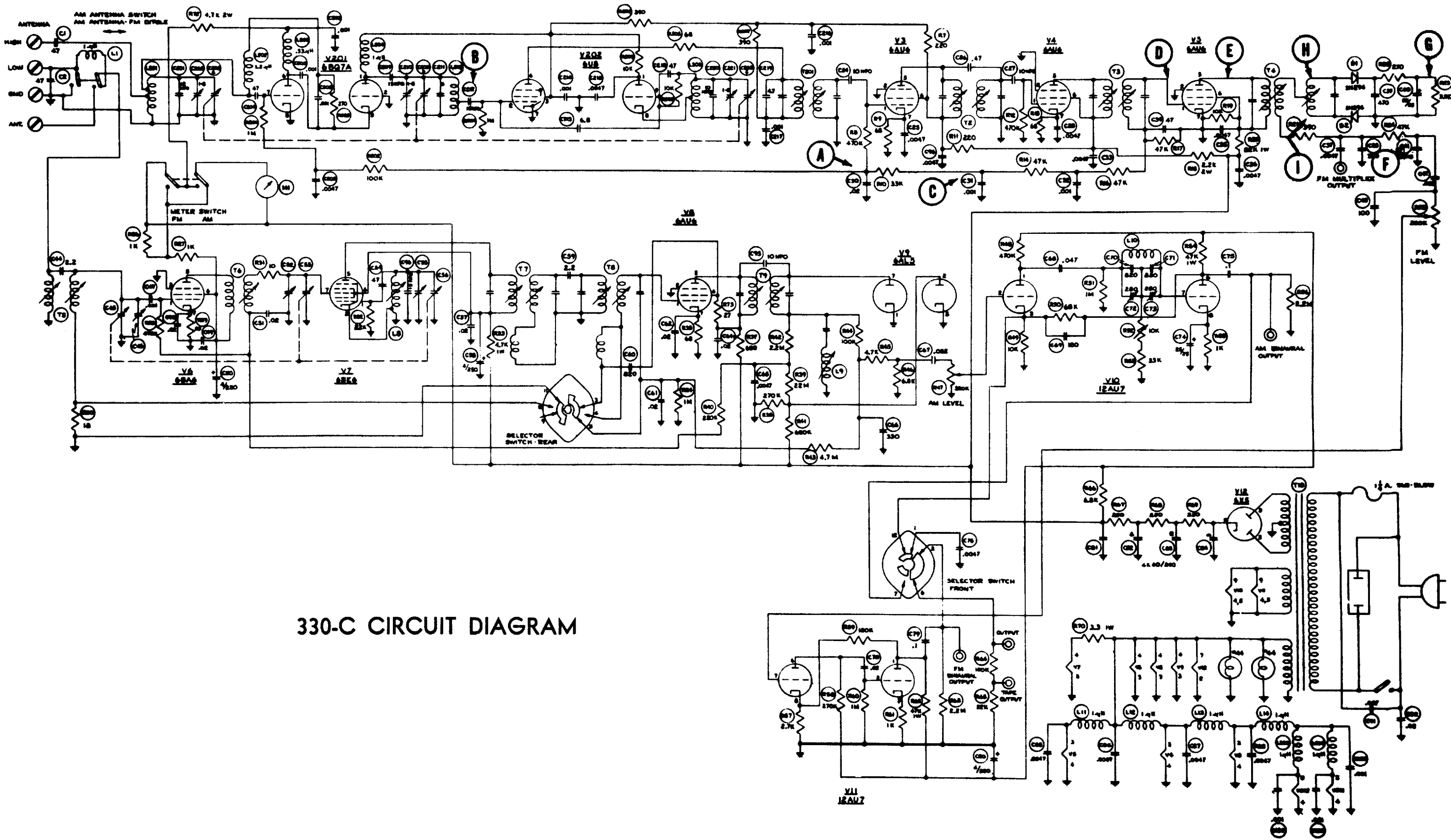
## 330-C ALIGNMENT INSTRUCTIONS

(Refer to circuit diagram for alignment test points)

| Signal Generator Coupling   | Signal Gen. Frequency                | Tuner Dial Setting | Connect Scope to | Connect VTVM to   | Adjust   | Remarks  |
|---|--------------------------------------|--------------------|------------------|---|--|--|
| 1. High side clipped to body of 15 mmf (on grid of 6U8) (B), low side to ground.              | 10.7 mc 500 KC sweep                 | 109 mc             | (C) and ground   | (C) and ground  | All IF transformers, top and bottom  | Connect 2 to 5 mfd paper capacitor between (A) and ground. Adjust for maximum amplitude and symmetry. Use lowest input level to obtain adequate output (maximum 3.5V dc) |
| 2. High side clipped to grid of 6AU6(V5) (D), low side to ground.                             | 10.7 mc CW                           | 109 mc             | .....            | Crystal probe coupled loosely to plate of 6AU6(V5) (not touching) (E) | Primary of detector transformer (bottom), limiter coil                     | Adjust for maximum deflection. Connect 1000 ohm carbon resistor between (H) and (I) (secondary), input level between .05 and .3 volts.                                   |
| 3. High side clipped to grid of 6AU6(V5) (D), low side to ground.                             | 10.7 mc CW                           | 109 mc             | .....            | High to (F) low to junction of two 100,000 ohm resistors              | Secondary of detector transformer (top)                                    | Adjust for 0 (zero) deflection. Connect two matched 100,000 ohm resistors in series. Connect this between (G) and ground.  |
| 4. High side through 270 ohm carbon resistor to antenna, low side to antenna ground terminal. | 106 mc, 75 KC deviation 400 cps rate | 106 mc             | Output Cable     | AC VTVM to output cable   | All "Front End" trimmer capacitors   | Signal generator output level 6 microvolts. Adjust trimmer for maximum audio output, (approx. 2.5. volts on VTVM).   |
| 5. High side through 270 ohm carbon resistor to antenna, low side to antenna ground terminal. | 92 mc, 75 KC deviation, 400 cps rate | 92 mc              | Output Cable     | AC VTVM to output cable   | All silver plated "Front End" coils by expanding or compressing coil turns | Signal generator output level 6 microvolts. Adjust for maximum audio output, then repeat 4, (approx. 2.5. volts on VTVM).  |

Note: Alignment to be done with Level Control fully clockwise.

Circuit diagram and connection points shown in instruction book.



330-C CIRCUIT DIAGRAM

**HERMON HOSMER SCOTT, INC.**  
 111 Powdermill Road - Maynard, Mass.