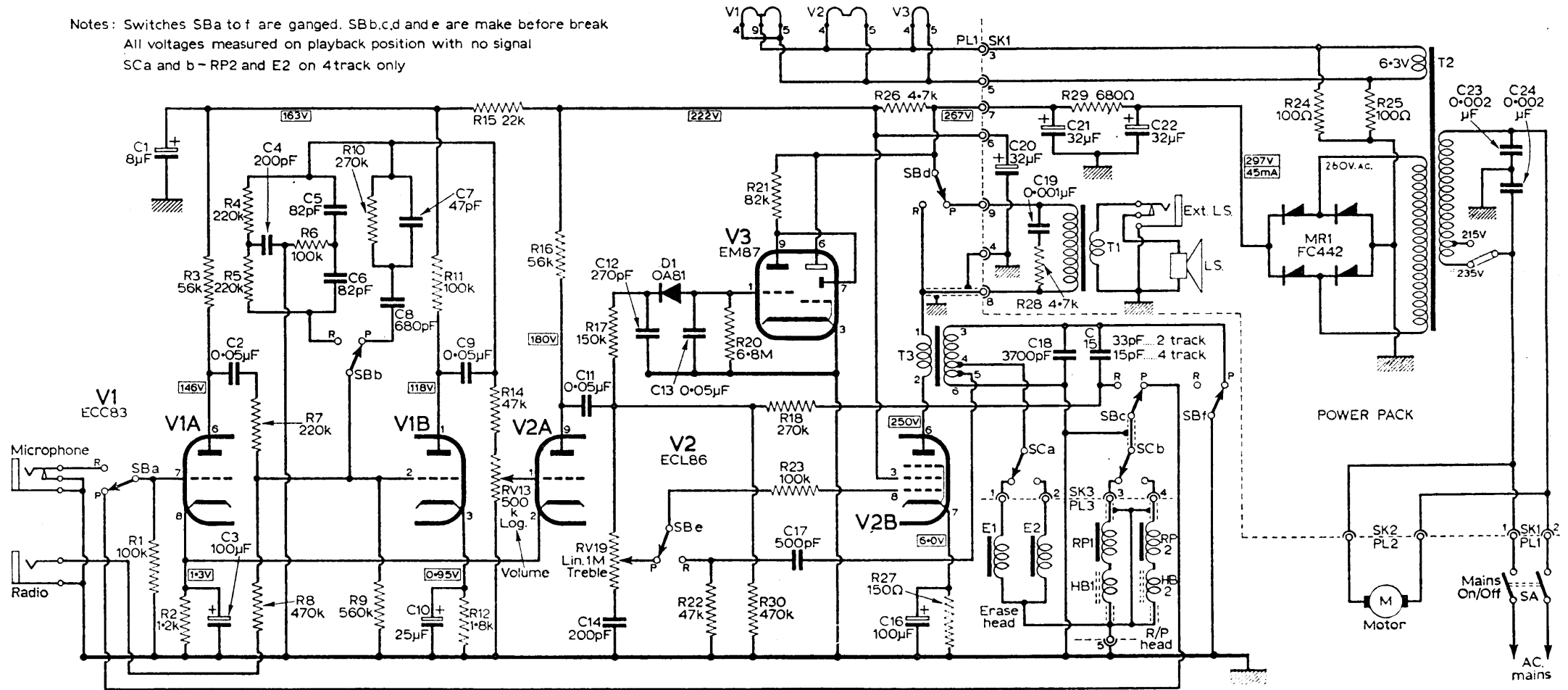


Notes: Switches SBa to f are ganged. SBb,c,d and e are make before break
 All voltages measured on playback position with no signal
 SCa and b - RP2 and E2 on 4 track only



CIRCUIT DIAGRAM—ALBA TAPE RECORDER MODELS R16 AND R17

Models R16 and R17: Single-speed tape recorders fitted with B.S.R. deck. R16 is a two-track model and R17 a four-track model. Speed $3\frac{3}{4}$ in./sec. Maximum spool size $5\frac{1}{4}$ in. Weight $17\frac{1}{4}$ lb. A.C. mains 200–250 volts. Output $3\frac{1}{2}$ watts.