

ALBA RECORD PLAYERS Models 990, 991, 996

General Description: These models are of metal-chassis construction. Model 990 is fitted with B.S.R. type TU9 four-speed single player unit. Models 991, 996 are fitted with B.S.R. type UA14 four-speed auto-change unit.

Power Supply: A.C. mains, 200–250 volts, 50 c/s. Models 991, 996 have plug-and-socket voltage adjustment. Model 990 does not require adjustment.

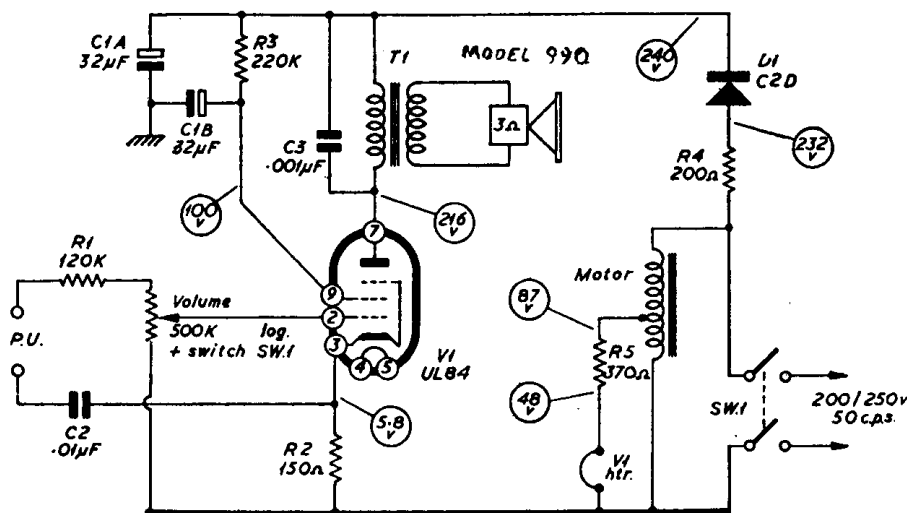
Valves: Model 990, UL84. Model 991, UCL82. Model 996, two UCL83. For all models, metal rectifier is S.T.C. type C2D. Average valve voltages are indicated on the circuit diagrams.

Dismantling: For all models amplifier chassis is accessible after amplifier back-cover (secured by two wood-screws) has been removed. To withdraw amplifier and baffle from cabinet:

Model 990: Pull off front knob. Slacken 4 B.A. nut adjacent to volume control. Remove 4 B.A. nut at other end of baffle. Press on loudspeaker magnet to push end of baffle forward. Baffle can then be slid sideways to release chassis from wooden fillet.

Models 991, 996: Pull off front knobs. Baffle is held to cabinet by four wood-screws. Remove these, and tilt baffle forward so that control spindles clear holes in cabinet. Amplifier and baffle can then be lifted out from the front.

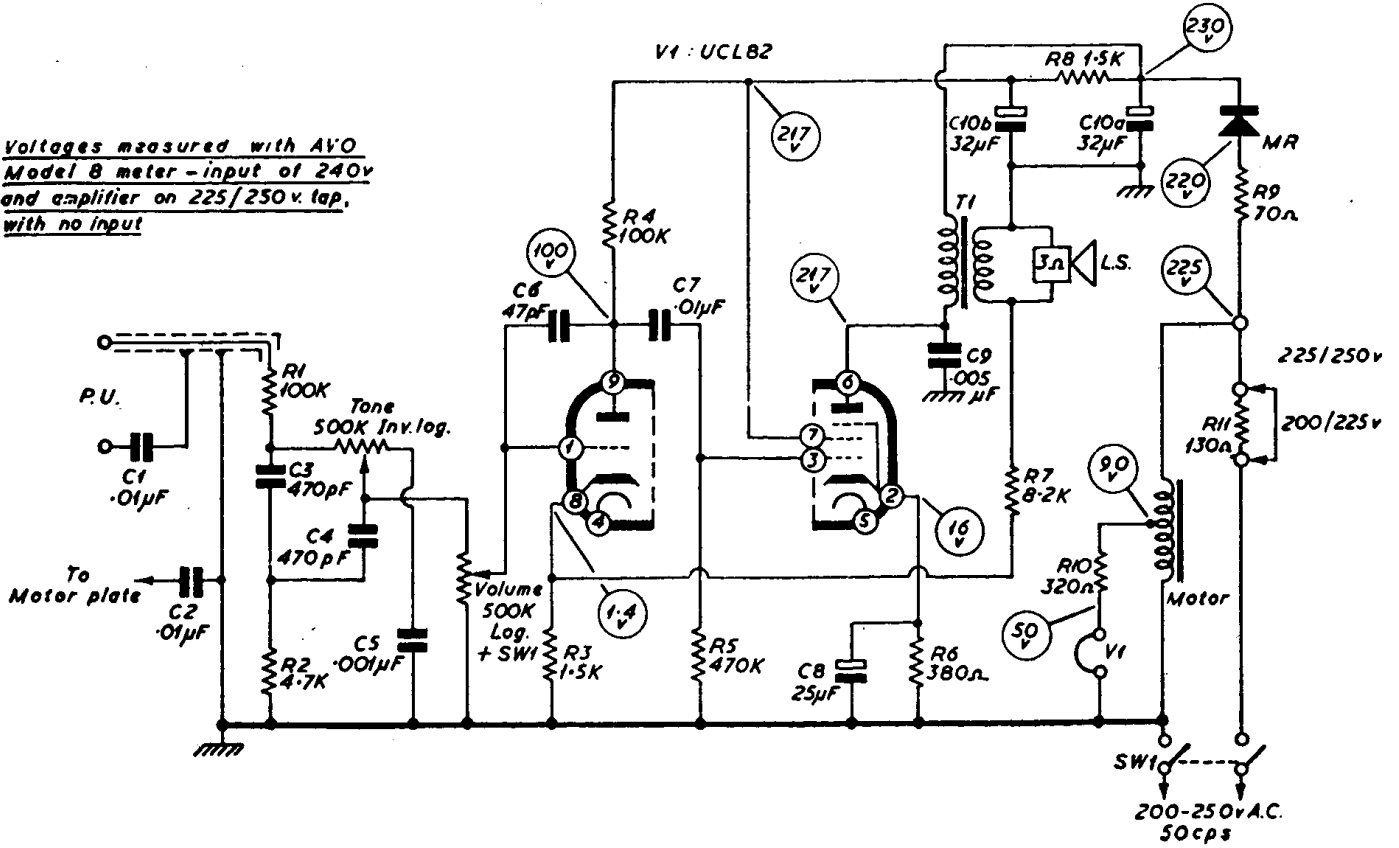
Component Notes: For all models, volume control is 500k log. For Model 991 tone control is 500k inverse log. For Model 996 treble control is 500k inverse log and bass control is 50k log. For Model 996 neon indicator lamp is Part Number 12071.



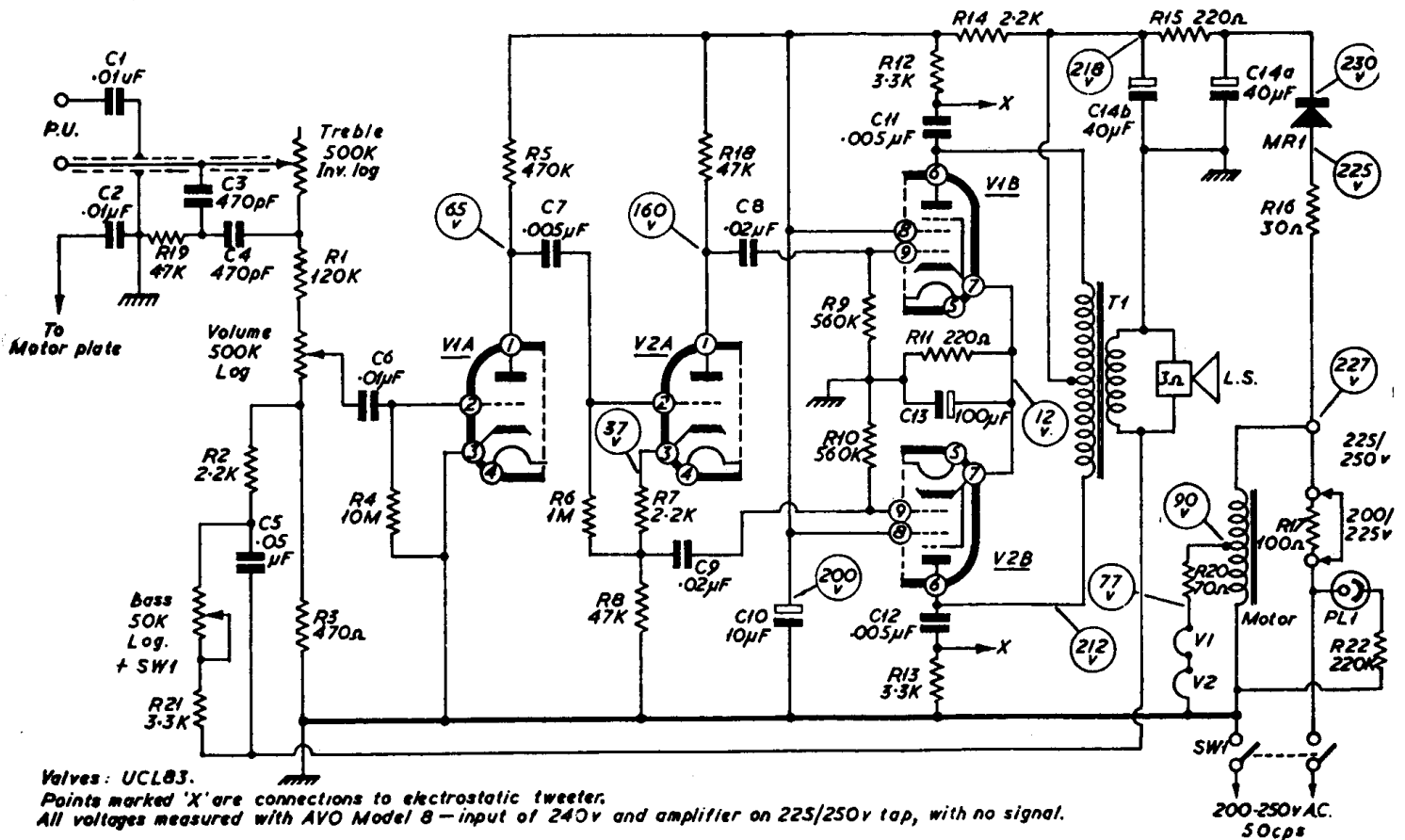
All voltages taken on 240volt mains supply, using the highest possible ranges of an AVO Model 8 meter, with no signal input

CIRCUIT DIAGRAM—ALBA MODEL 990

Voltages measured with AVO Model 8 meter - input of 240v and amplifier on 225/250v tap, with no input



CIRCUIT DIAGRAM—ALBA MODEL 991



Valves: UCL83.
 Points marked 'X' are connections to electrostatic tweeter.
 All voltages measured with AVO Model 8 - input of 240v and amplifier on 225/250v tap, with no signal.

CIRCUIT DIAGRAM—ALBA MODEL 996