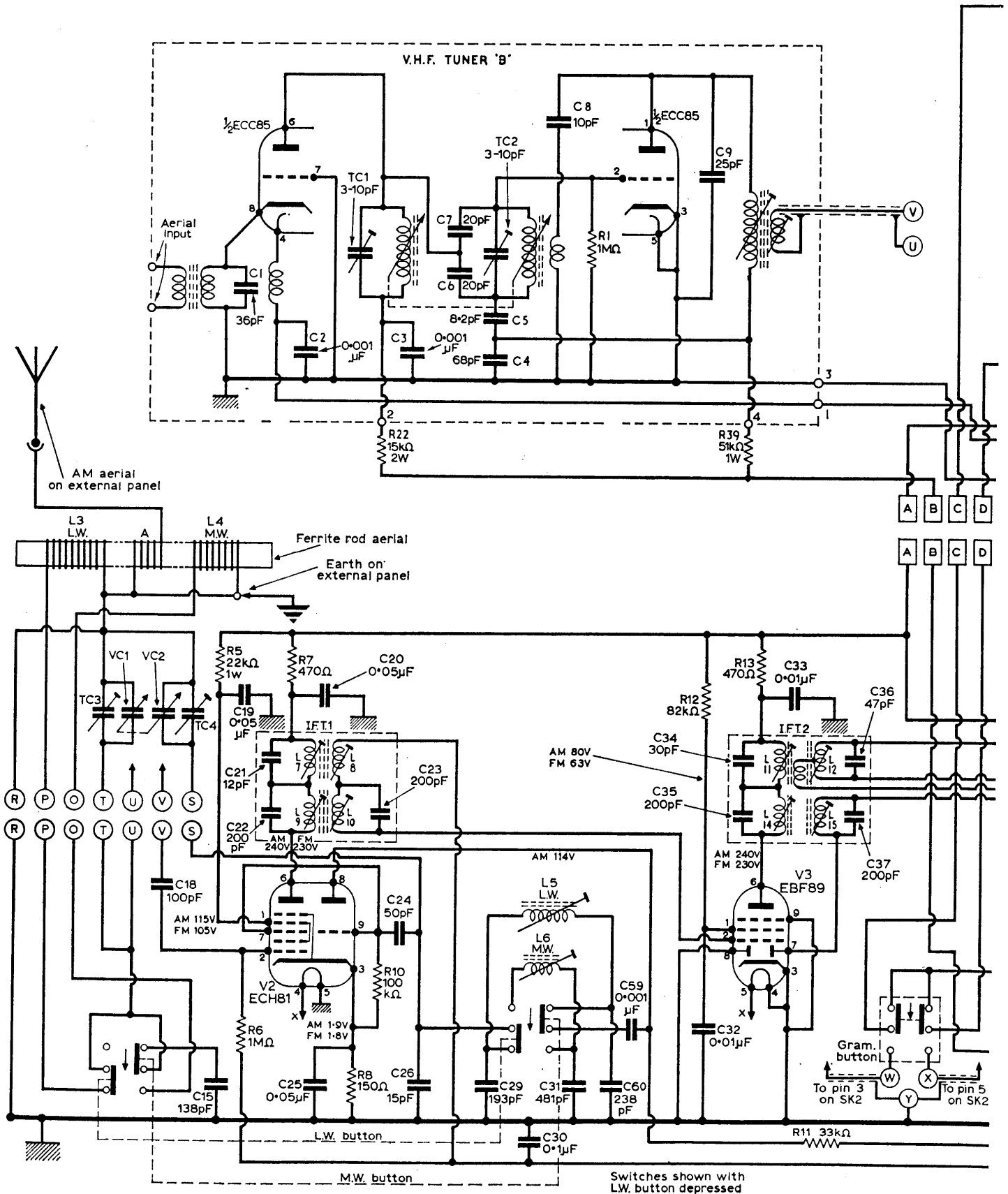


ALBA

Chassis PW38

General Description: Seven-valve (plus metal bridge rectifier), three-waveband (L.W./M.W./V.H.F.), A.M./F.M. stereo chassis. A.C. mains, 190-260 volts, 50 c/s. This chassis is fitted to a number of stereo radio-grams including **Models 7903B** and **8003B**.



CIRCUIT DIAGRAM—

Valves: (V₁) ECC85 (V.H.F. tuner); (V₂) ECH81 (A.M. frequency changer, F.M. I.F. amplifier); (V₃) EBF89 (dual I.F. amplifier, A.M. detector diode); (V₄) EB91 (F.M. ratio detector); (V₅) ECC85 (A.F. amplifier for both channels); (V_{6, 7}) EL84 (output).

