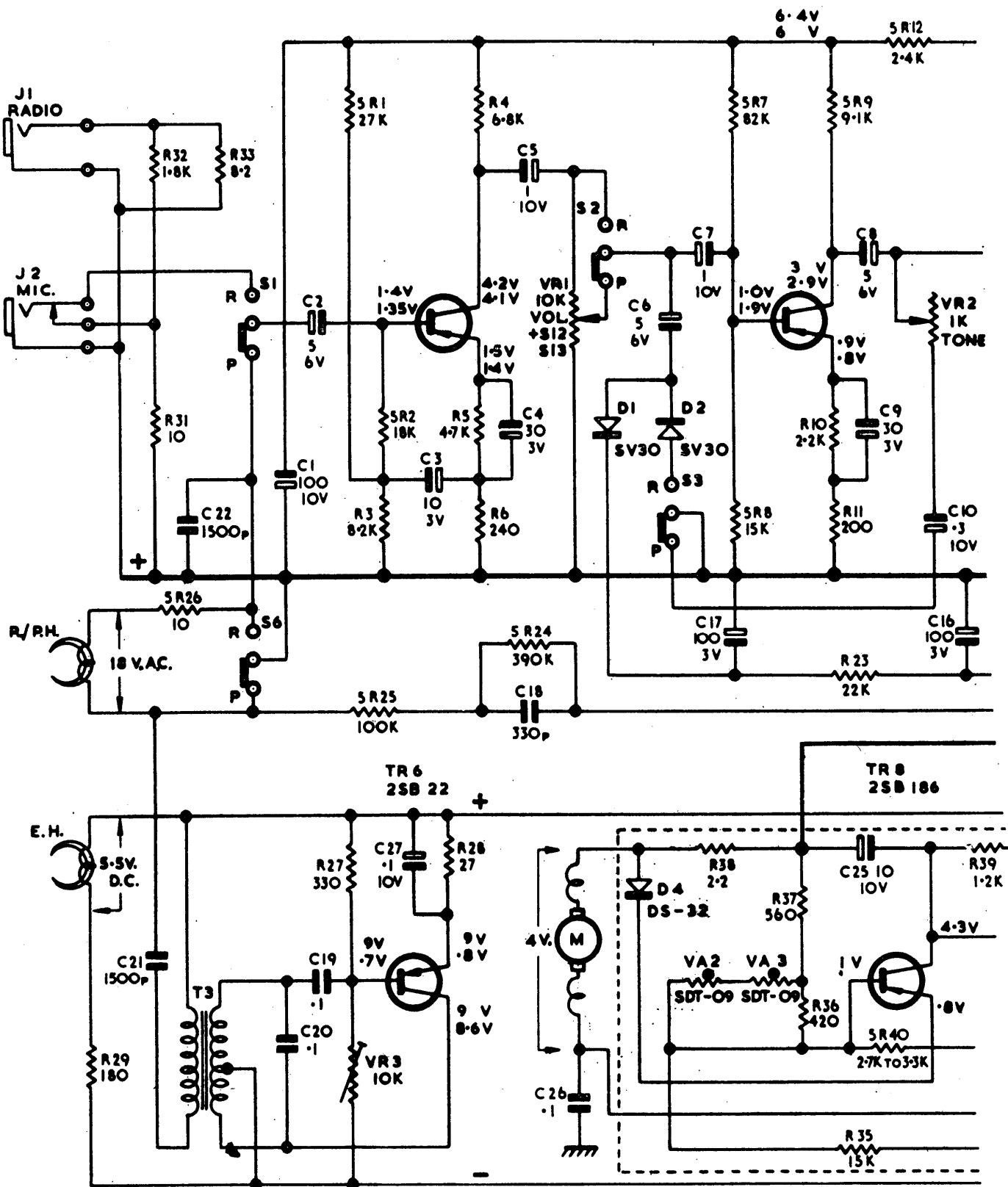


General Description: Eight-transistor portable tape recorder. Power output 450 mW. undistorted, 800 mW. maximum. A.C. record bias and D.C. erase bias. Frequency response 100–6000 c/s. at $3\frac{3}{4}$ in./sec. and 100–3000 c/s. at $1\frac{7}{8}$ in./sec.

Warning: When installing or adjusting Head angle all tools used must be non magnetic, otherwise parts located near the tape may become magnetised, causing static.



NOTE :- C.C.T. SHOWN IN PLAY POSITION.
 S1 - S6 RECORDING SWITCH
 S7 SWITCH ON AT RECORD AND PLAY
 S8 SWITCH ON AT REWIND AND FAST FORWARD
 S9 POWER SWITCH "SWITCH OFF AT STOP"

F85a

(F85a) CIRCUIT DIAGRAM—MODEL R19 (PART)

