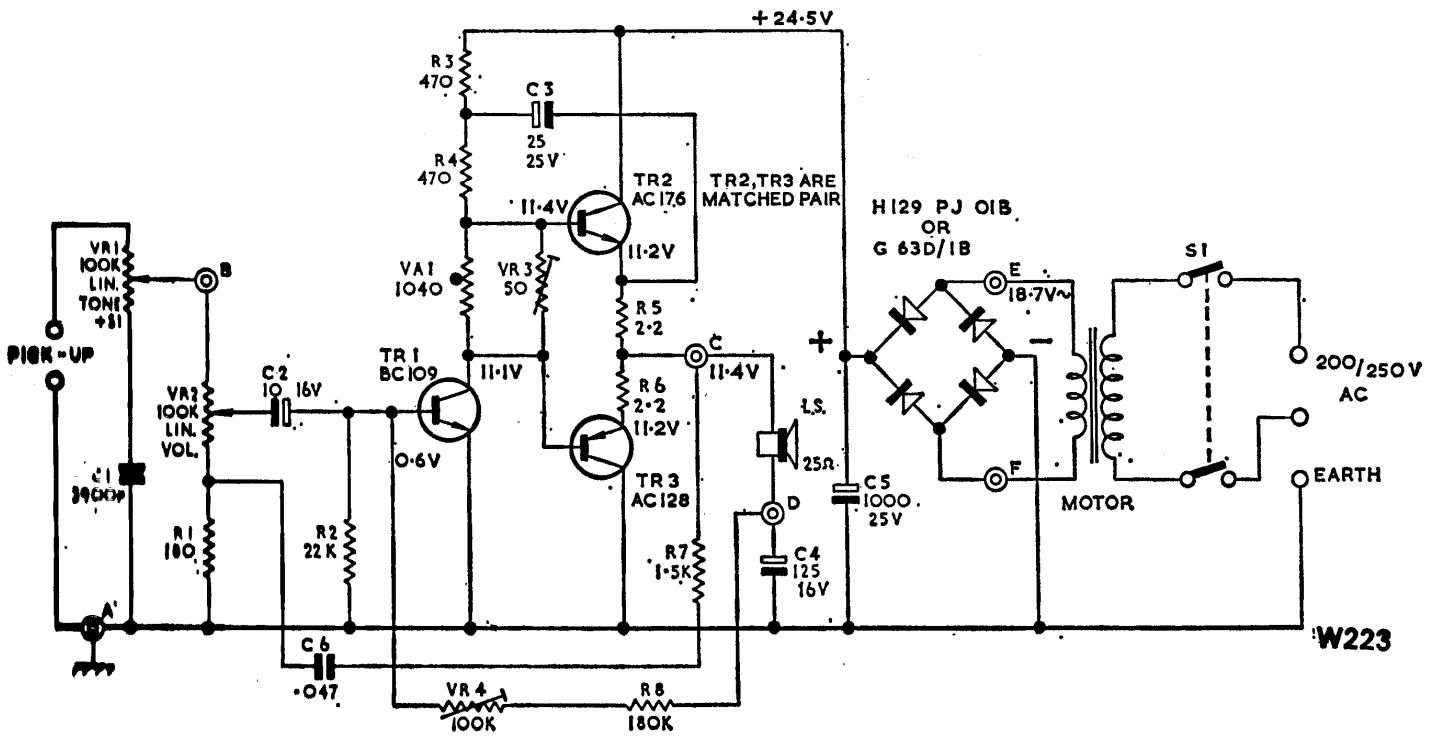


ALBA

Chassis Type RP6, Models SRP8, 312, 332, 337, 432 and 532

General Description: A three-transistor mains-operated portable record-player giving a maximum output of 1.8 watts. This series of models incorporate a B.S.R. four-speed auto-changer unit.

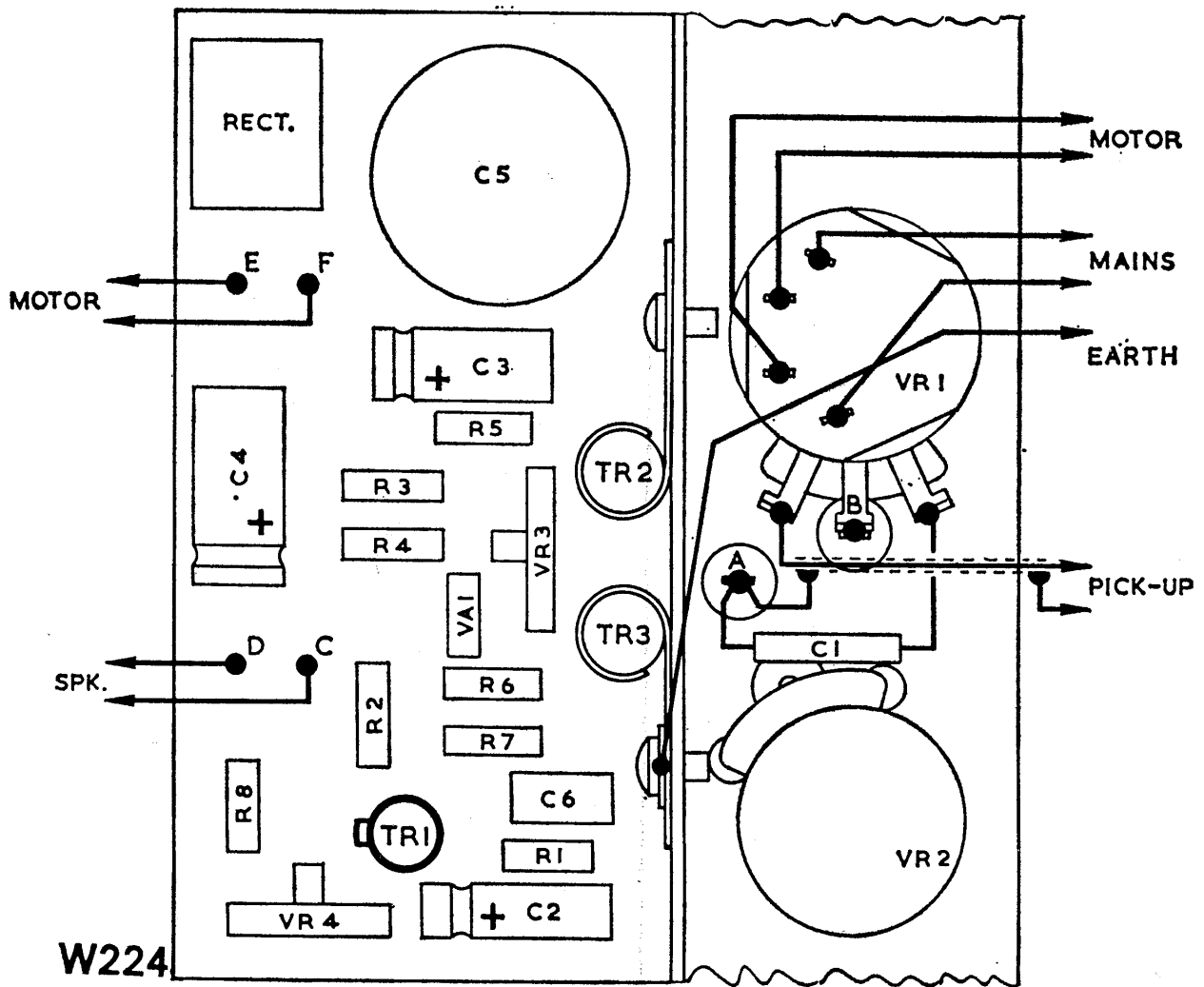


(W223) CIRCUIT DIAGRAM—RP6 CHASSIS, etc.

Circuit Diagram Notes

Voltages taken with AVO8. No signal. Resistors ± 10 per cent except R5 and R6 ± 20 per cent.

RADIO SERVICING



(W224) COMPONENT LAYOUT—RP6 CHASSIS, etc.

Note: Although the RP6 chassis has been in production for some considerable time, new presentations are currently available, thus accounting for the inclusion of this series of models in this volume for the first time.

Dismantling: Remove loudspeaker cover. Pull off the knobs and remove the two 4BA securing nuts. Lift out chassis.

Adjustments: Set VR4 for symmetrical clipping. Adjust VR3 for minimum cross-over distortion with TR3 collector current not greater than 10mA.

Sensitivity: For 5 V rms at 1kHz across 25 Ω res. load (1 watt). With PU. disconnected and generator applied via 100pF. Vol. at max. With tone at min. 1.4 V. With tone at max. 1.1 V.