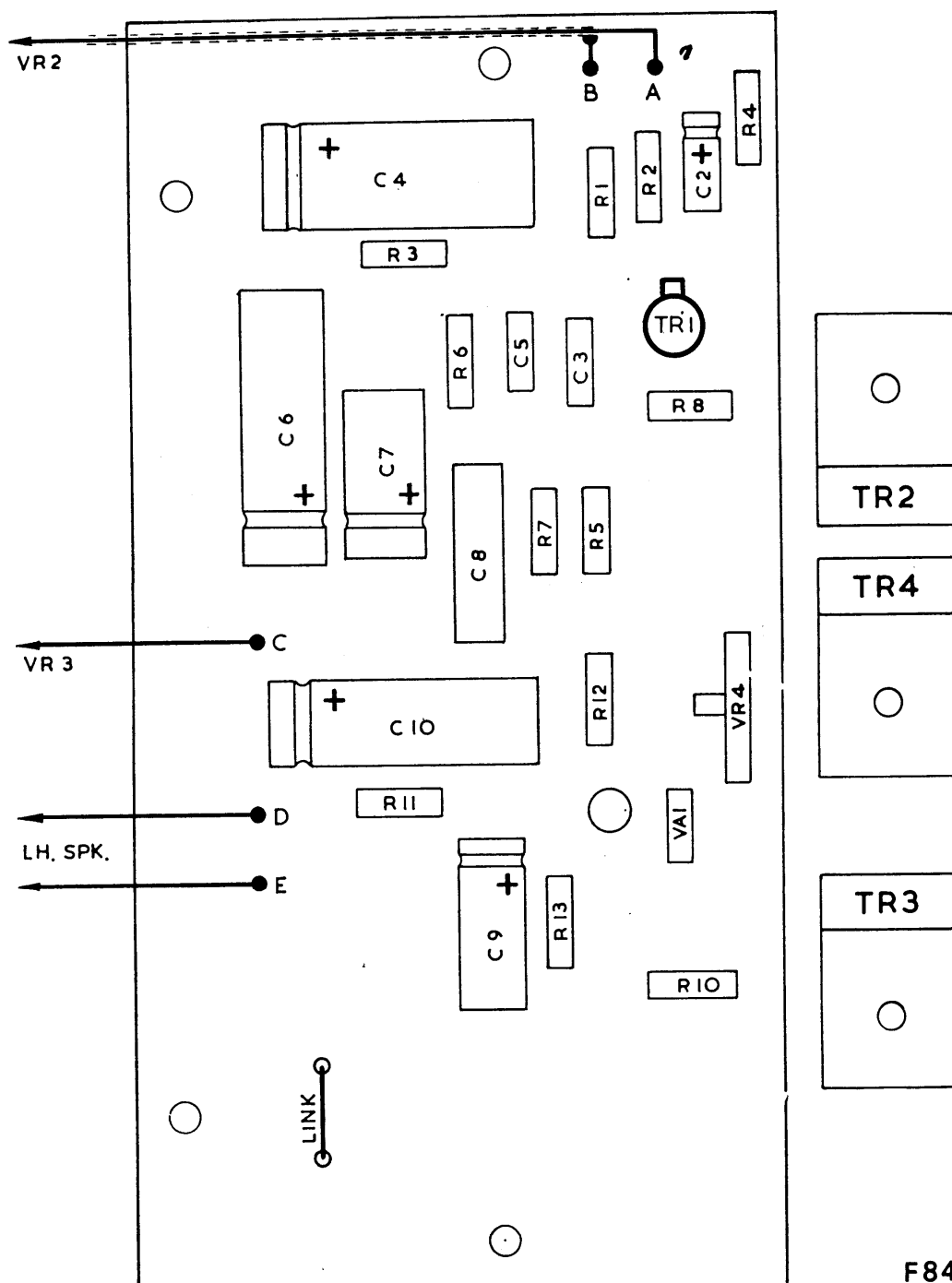


## ALBA

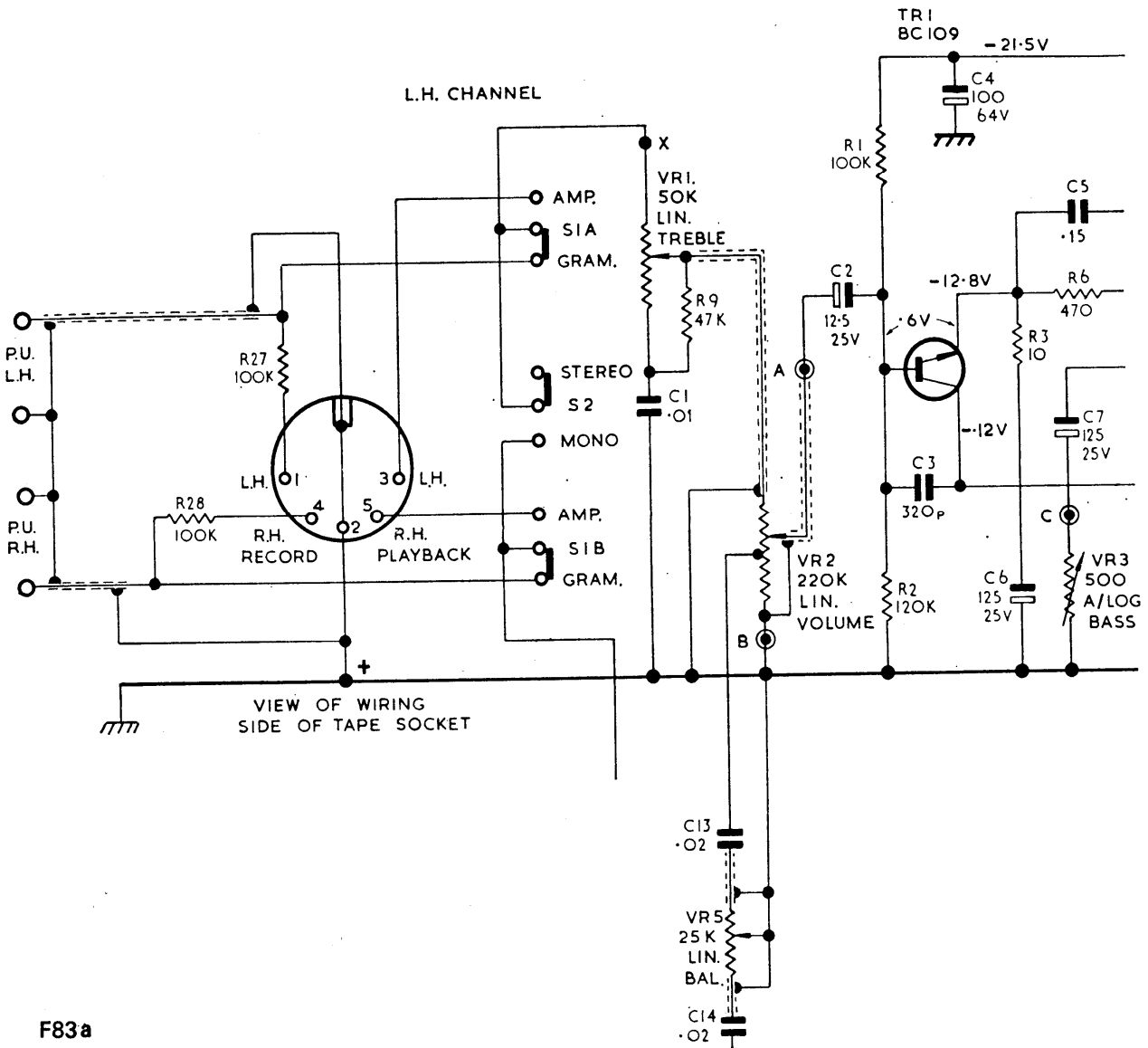
## Models RP7 and RP7A

**General Description:** Four-transistor-per-channel, mains-operated, stereophonic record player. Power output 6.4 W.

**Dismantling RP7:** Pull off four control knobs. Remove bottom cover. Remove two 4BA nuts fixing bottom of chassis to partition. Lift out chassis. When replacing chassis make sure location studs on chassis enter holes in control panel.



(F84) COMPONENT LAY-OUT—MODELS RP7 AND RP7A



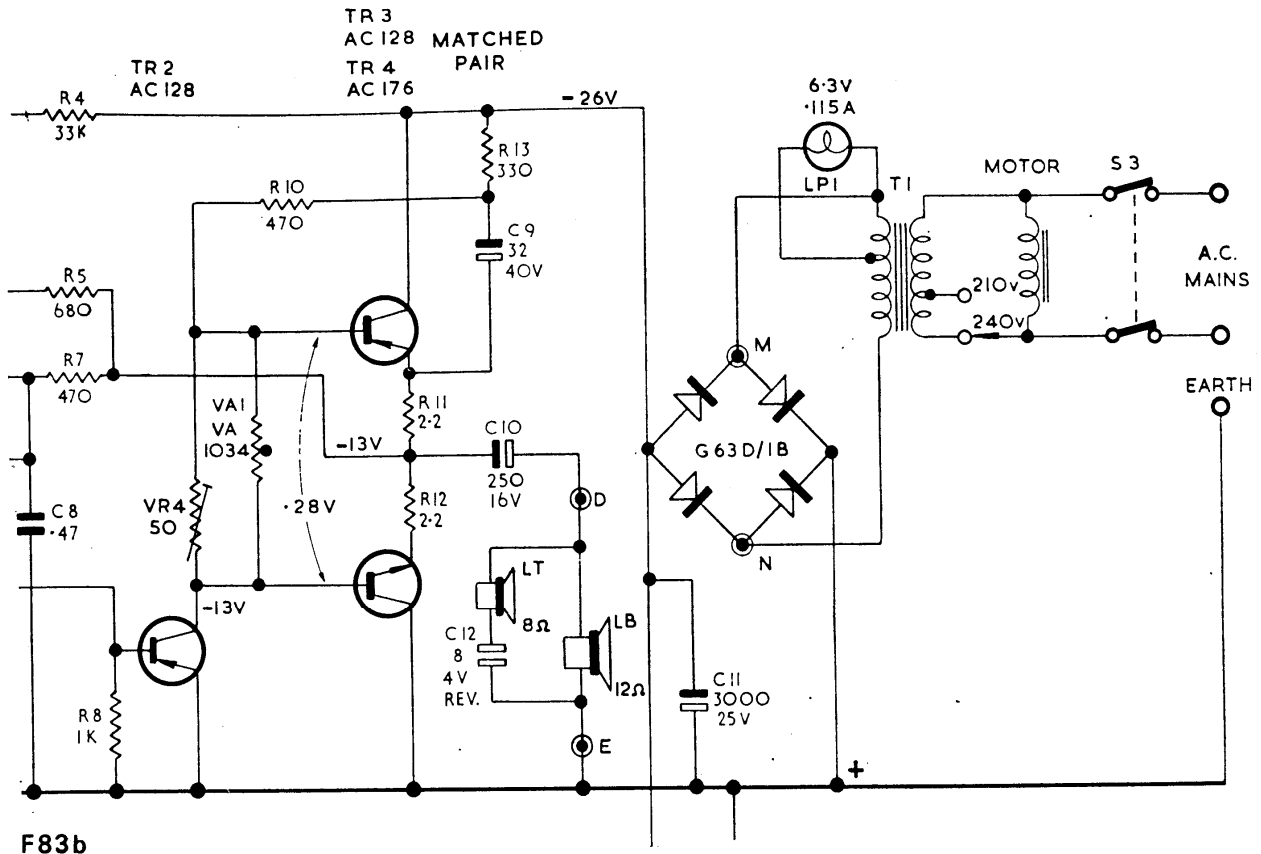
F83a

(F83a) CIRCUIT DIAGRAM—MODELS RP7 AND RP7A (PART)

**Dismantling RP7A:** Pull off knobs. Remove loudspeaker cover. Remove four screws holding motor board, and lift out board. Remove pilot lamp bracket and balance control bracket. Remove two 4BA nuts fixing control chassis and two nuts fixing chassis extension. Lift out chassis. Replace chassis so that knobs are concentric to grill printing.

**Pre-set Controls:** Adjust VR4 and VR9 for minimum crossover distortion with TR4 and TR8 I<sub>c</sub> not greater than 10mA.

**Sensitivity:** With P.U. disconnected and generator applied via 1000pF to either channel. Volume at maximum. For 3.5 volts rms at 1kHz across 12Ω resistor, load (1 W) in either channel. With VR1/6 and VR3/8 at minimum—490mV. With VR1/6 and VR3/8 at maximum—200mV.



F83b

CCT. AS DRAWN IS FOR RP 7.  
 FOR RP7A :-  
 LT, RT, C12 & C25 ARE DELETED.  
 S3 IS ON VR2, 7.  
 T1 INPUT NOT ADJUSTABLE.  
 INPUT TO 240V TAP.  
 VR 3 & 8 ARE 2K. A/LOG.  
 C7 & 21 ARE 32. 40V.  
 INPUT CCT. AS SHOWN ON LEFT.  
 E & D GO TO LH. SPK. VIA JACK SOCKET.

ON LATER MODELS C2 & C16 ARE .22μ

RESISTORS ±10% EXCEPT  
 R1, R2, R14, & R15 ±5%  
 R9, R11, R12, R22, R24, & R25 ±20%

VOLTAGES MEASURED WITH AVO. 8,  
 240V MAINS, NO SIGNAL INPUT.

(F83b) CIRCUIT DIAGRAM—MODELS RP7 AND RP7A (CONTINUED)