

BEETHOVEN**Model A3060PRG**

General Description : Seven-valve (including rectifier), three-wave-band superheterodyne auto-radiogramophone in period cabinets. The A3160PRG and A3260PRG models incorporate A3060 chassis in special hand-made reproduction cabinets.

Power Supply : A.C. mains, 200–250 volts.

Wavebands : S.W. 16–50 m.; M.W. 200–550 m.; L.W. 1000–2000 m.

Pilot Lamps : 6.5 volts, 0.3 amp.

Output : 6 watts.

Intermediate Frequency : 465 kc/s.

Valves : (V₁) 6K8G; (V₂) 6K7G; (V₃) 6Q7G; (V₄) 6Q7G (as triode phase reverser); (V₆ and V₇) 6V6Gs or EL33s (push-pull output); (V₅) 5Z4G.

Alignment Procedure : Connect signal generator to grid (top cap) of V₁ and adjust I.F. cores for maximum output at 465 kc/s.

Connect signal generator to aerial socket via all-wave dummy aerial. Set pointer to 2000 m., inject 150-kc/s. signal, tune signal by adjusting core L₈ and peak output by adjusting core L₄. Set pointer to 1000 m., inject 300-kc/s. signal, tune signal by adjusting VC₃₂ and peak sensitivity by adjusting VC₂₉. Check at 2000 m. and re-align if necessary.

Repeat this process on M.W. band at 500 m. (600 kc/s.), adjusting L₇ and L₃, and 214 m. (1400 kc/s.), adjusting VC₃₁ and VC₂₈. Repeat also on S.W. at 50 m. (6 Mc/s.) adjusting L₅ and L₂, and 15.8 m. (19 Mc/s.) adjusting VC₃₀ and VC₂₇.

Check Points : See page 634.

Component Values :*Capacitors.*

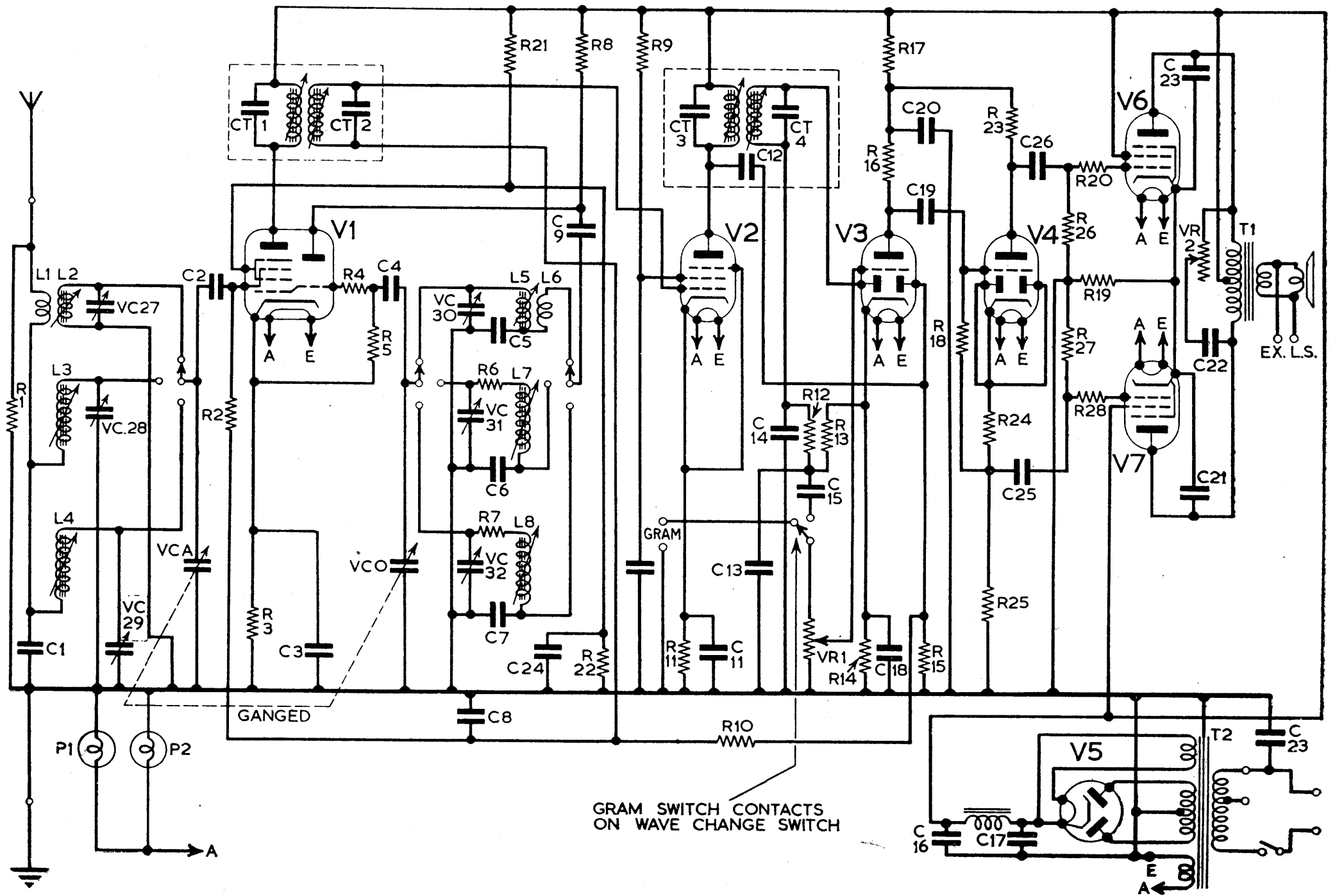
C1	2000 pF. (1%)
C2	100 pF.
C3	0.1
C4	100 pF.
C5	0.005 (5%)
C6	335 pF. (1%)
C7	130 pF. (1%)
C8	0.1
C9	0.01 (1000v.)
C10	0.1
C11	0.1
C12	10 pF.
C13	150 pF.
C14	150 pF.
C15	0.02 (1000 v.)
C16	16 (450 v.)
C17	16 (450 v.)
C18	25 (25 v.)
C19	0.05
C20	4 (350 v.)
C21	0.002 (1000 v.)
C22	0.05 (1000 v.)
C23	0.002 (1000 v.)
C24	0.1

C25	0.05
C26	0.05
CT1	100 pF.
CT2	100 pF.
CT3	100 pF.
CT4	100 pF.
VC27	3–30 pF.
VC28	3–30 pF.
VC29	20–75 pF.
VC30	3–30 pF.
VC31	3–30 pF.
VC32	20–75 pF.
VCA	442 pF. Gang
VCO	442 pF. Gang

Resistors.

R1	10k
R2	1M
R3	220
R4	20
R5	47k
R6	50
R7	180

R8	33k ($\frac{1}{2}$ W.)
R9	47k ($\frac{1}{2}$ W.)
R10	1M
R11	270 (10%)
R12	33k
R13	0.47M
R14	4k
R15	1M
R16	200k
R17	6.8k
R18	0.47M
R19	180 (1 W.)
R20	47k
R21	20k (1 W.)
R22	100k
R23	33k ($\frac{1}{2}$ W.)
R24	1k
R25	33k ($\frac{1}{2}$ W.)
R26	0.47M
R27	0.47M
R28	47k
VR1	1M Pot.
VR2	50k Pot.



GRAM SWITCH CONTACTS ON WAVE CHANGE SWITCH

BEETHOVEN

BEETHOVEN—MODEL A3060PRG (continued from page 632).

V ₁	Anode (pin 3) 255 v., 2 mA.	Screen (pin 4) 85 v., 8 mA.	Osc. anode (pin 6) 85 v., 4.5 mA.	Cathode (pin 8) 2.7 v.
V ₂	Anode (pin 3) 255 v., 12 mA.	Screen (pin 4) 110 v., 2.5 mA.	Cathode (pin 8) 3.2 v.	—
V ₃	Anode (pin 3) 75 v., 0.4 mA.	Cathode (pin 8) 1.3 v.	—	—
V ₄	Anode (pin 3) 170 v., 2.5 mA.	Cathode (pin 8) 80 v.	—	—
V ₅	Anodes (pins 4 and 6) 270 v. A.C.	Cathode (pin 8) 275 v. D.C.	—	—
V ₆ and V ₇	Anode (pin 3) 225 v., 40 mA.	Screen (pin 4) 255 v., 5 mA.	Cathode (pin 8) 12 v.	—