

B.R.C.

Model 2016

General Description: Auto-change, stereo transportable record re-producer with B.S.R. Type UA14 record unit and turnover crystal pick-up Type TC8S.

Power Supply: A.C. mains, 200–250 volts, 50 c/s. Consumption about 40 watts.

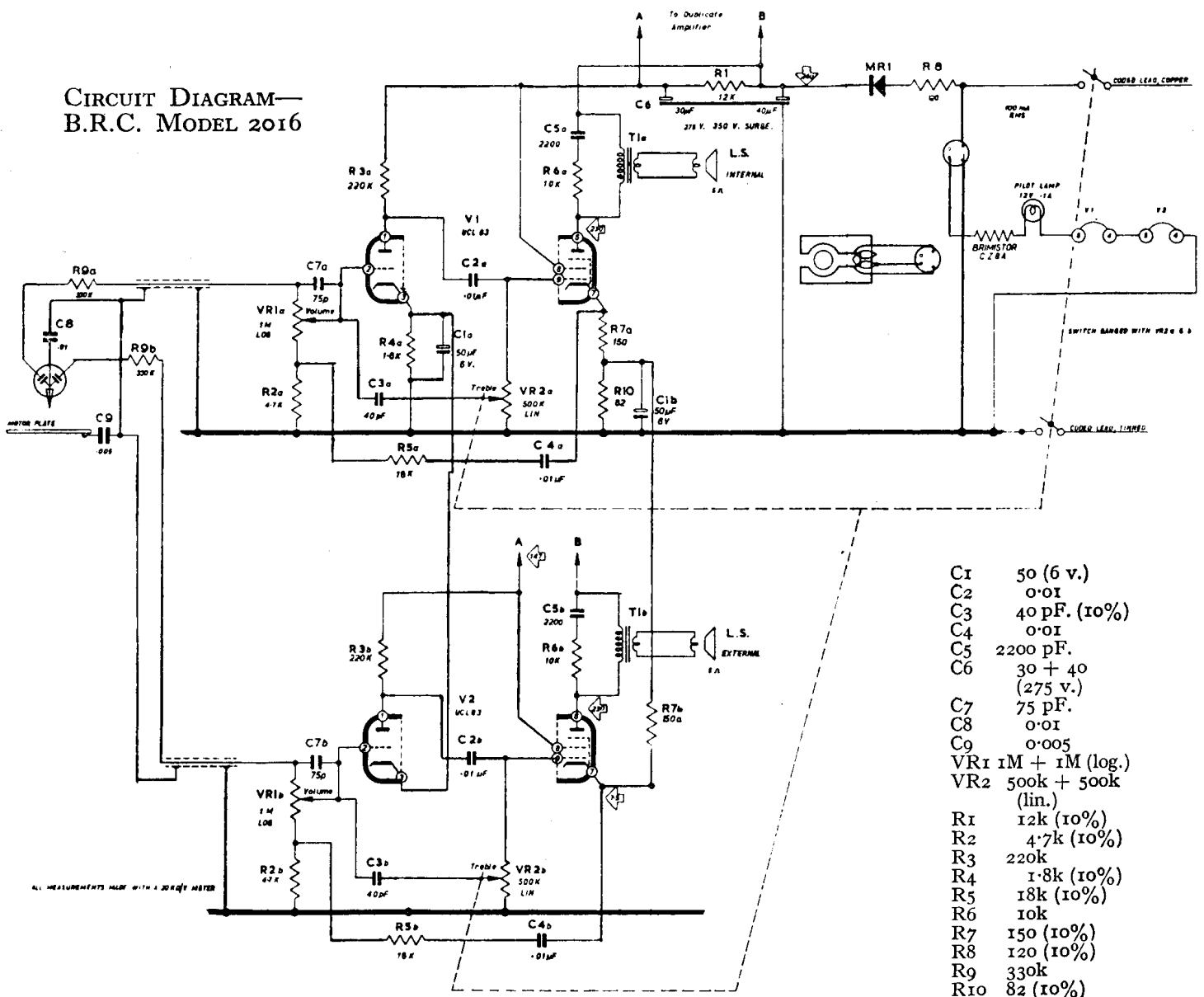
Valves: Two UCL83 triode pentodes. Metal rectifier Type CD2.

Pilot Lamp: 12 volts, 0.1 amp., M.E.S.

Dismantling: To remove chassis and control panel. First disconnect player from mains supply. Unfasten left-hand lid stay and detach speaker box. Loosen and remove four brass-headed screws and lift panel out from front end.

Notes: VR1 dual 1M log. VR2 dual 500k lin.

CIRCUIT DIAGRAM—
B.R.C. MODEL 2016



- C1 50 (6 v.)
- C2 0.01
- C3 40 pF. (10%)
- C4 0.01
- C5 2200 pF.
- C6 30 + 40 (275 v.)
- C7 75 pF.
- C8 0.01
- C9 0.005
- VR1 1M + 1M (log.)
- VR2 500k + 500k (lin.)
- R1 12k (10%)
- R2 4.7k (10%)
- R3 220k
- R4 1.8k (10%)
- R5 18k (10%)
- R6 10k
- R7 150 (10%)
- R8 120 (10%)
- R9 330k
- R10 82 (10%)