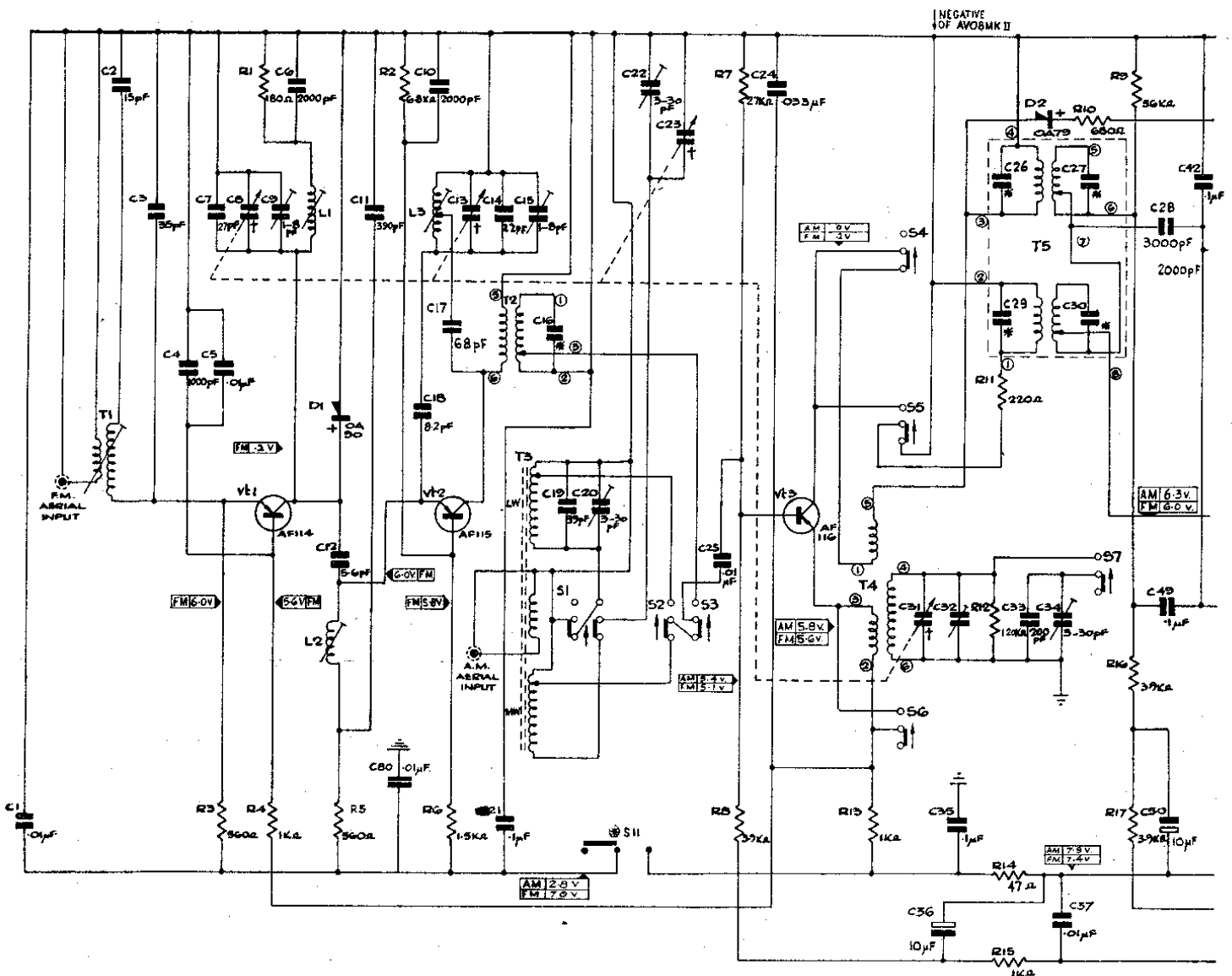
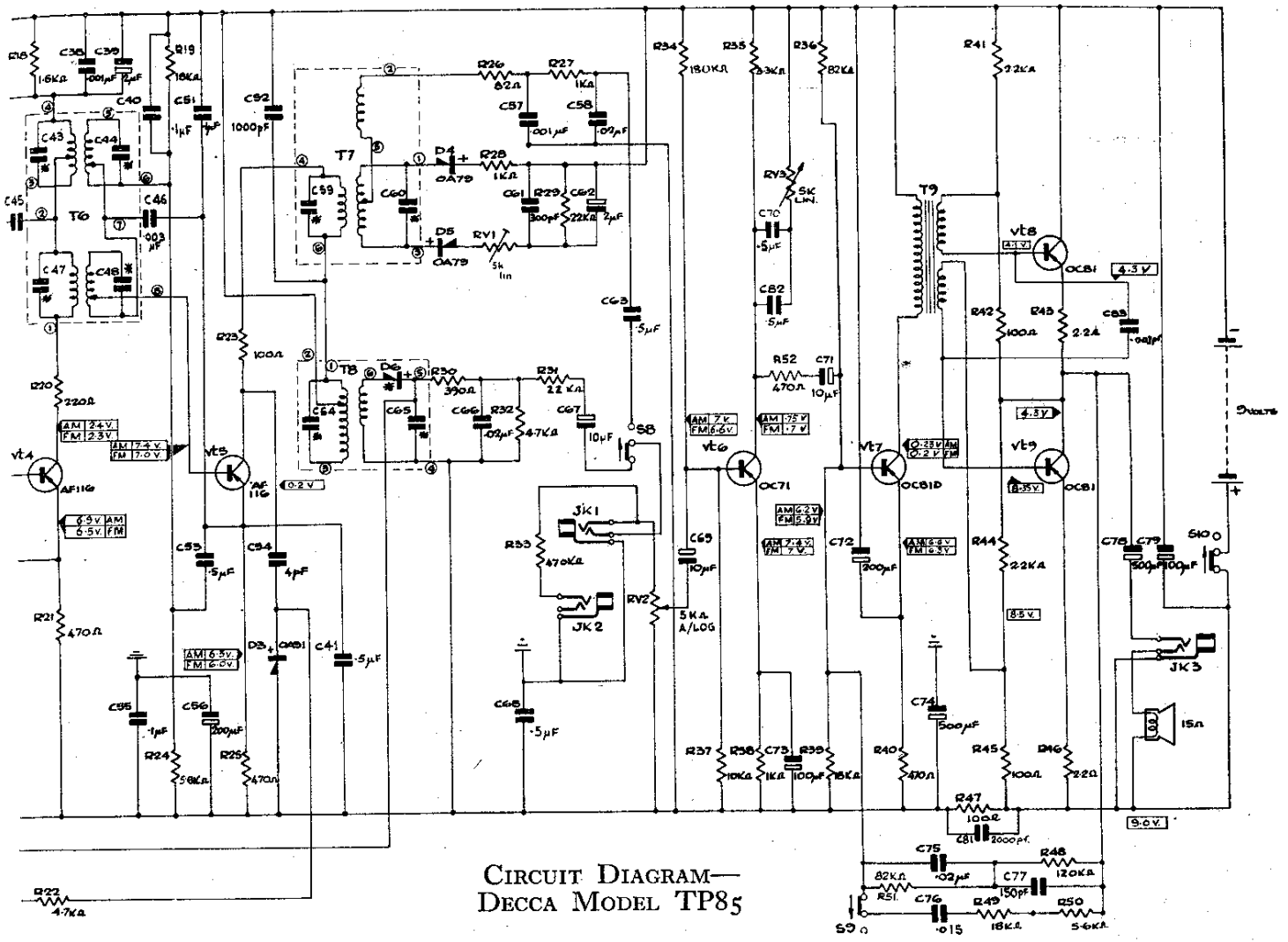
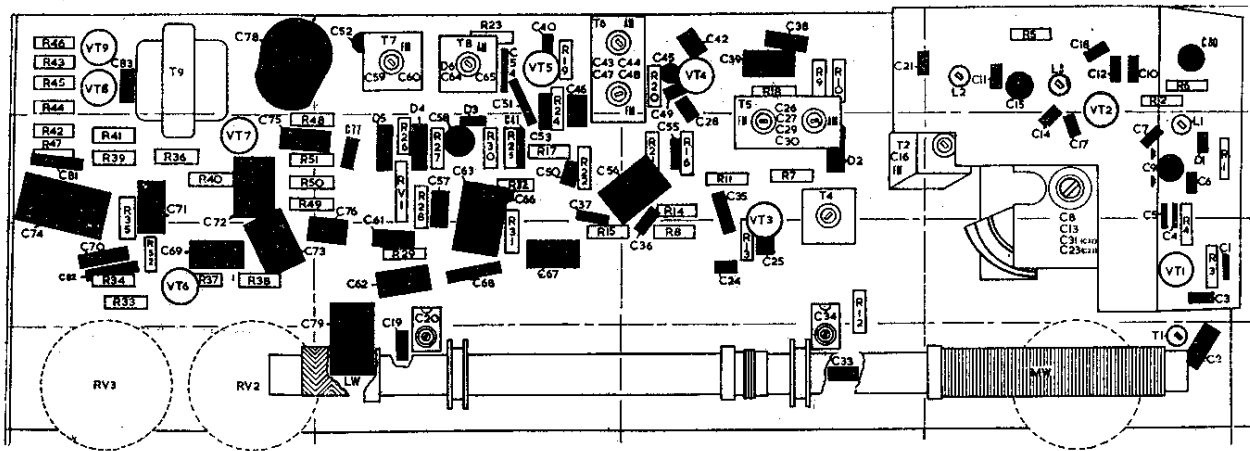


General Description: Nine-transistor (plus six diodes), M.W./L.W./V.H.F., A.M./F.M. transistor portable with two 9-volt batteries (PP9, VT9 or equivalent).

Semiconductors: (VT₁) AF114; (VT₂) AF115; (VT_{3, 4, 5}) AF116; (VT₆) OC71; (VT₇) OC81D; [(VT_{8, 9}) OC81; (D₁) OA90 (clamp diode F.M.); (D₂) OA79 (A.G.C. damping diode); (D₃) OA91 (A.G.C.); (D_{4, 5}) OA79 (ratio detector); (D₆) OA91 (A.M. detector).

Notes: P.U. socket is suitable for low impedance pick-up and is terminated by 5000 ohms. If pick-up requires frequency compensation, it will improve quality to depress "Mute" switch. High impedance crystal pick-up can be fed into tape input socket with spare plug inserted into pick-up socket to mute radio signal. Earphone socket for low impedance (15-ohm) attachment. Tape socket 0.5M impedance.





CIRCUIT DIAGRAM—
DECCA MODEL TP85