

DECCA

Model TP/RG100

General Description: Seven-transistor (plus crystal diode), two-wave-band, portable radiogram with E.M.I. battery motor type 97900AD and B.S.R. type TC8M turnover cartridge.

Power Supply: Two 6-volt batteries (PP1 or equivalents) for transistors; 9-volt battery (PP9 or equivalents) for gramophone motor.

Wavebands: M.W. 190-555 m.; L.W. 1140-2000 m.

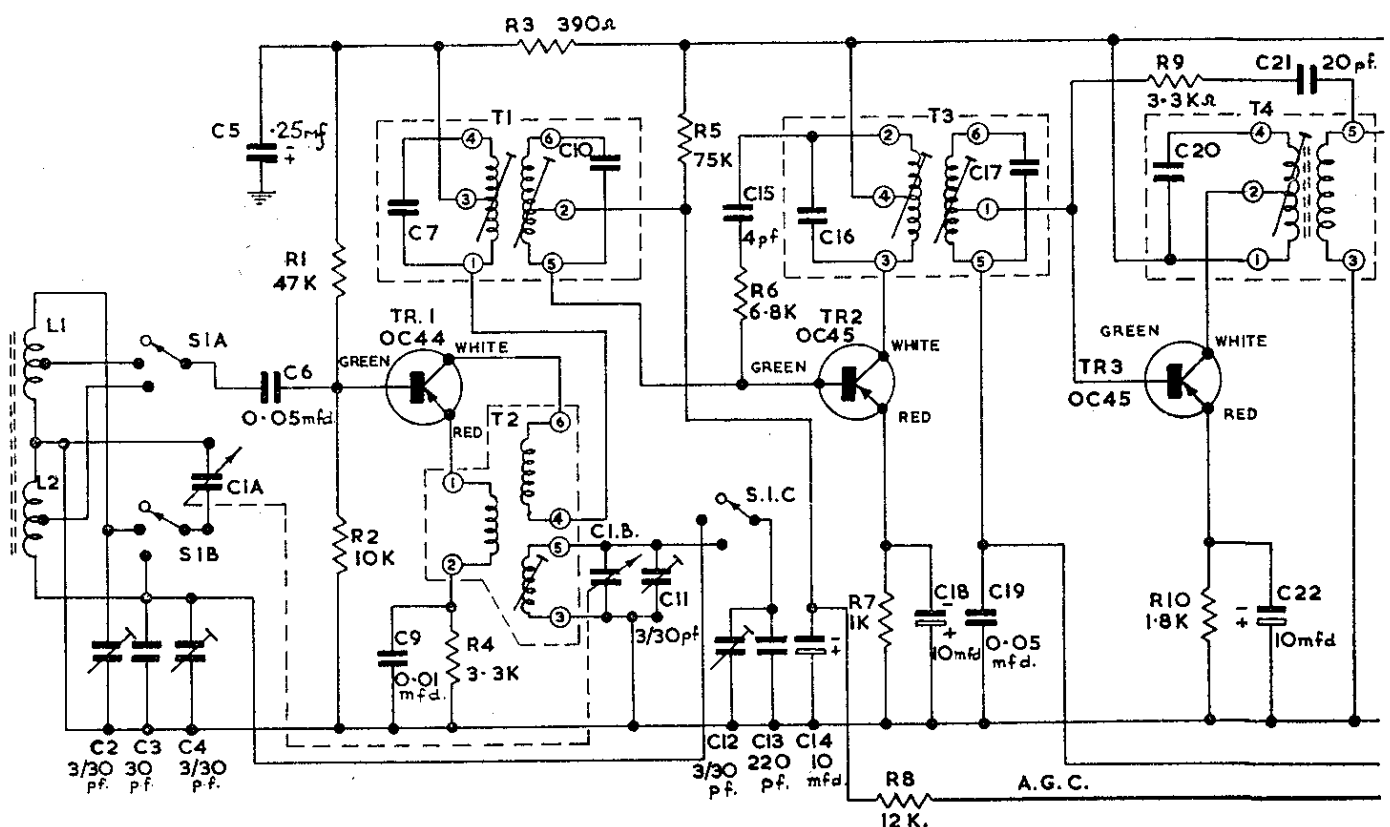
Transistor Analysis: Following readings taken on Avo Model 8 (20,000 ohms/volt) in "radio" position except for TR4 measured in "gram" position.

Transistor	Function	Emitter, volts	Base, volts	Collector, volts
TR1 OC44 . . .	Freq. changer	1.0	1.2	7.9
TR2 OC45 . . .	1st I.F.	0.9	1.0	8.0
TR3 OC45 . . .	2nd I.F.	1.2	1.3	9.0
TR4 OC71 . . .	Gram. pre-amp.	0.9	1.0	3.0
TR5 OC81D . . .	Driver	1.3	1.4	11.5
TR6 OC81 . . .	Output	6.0	6.2	12.3
TR7 OC81 . . .	Output	very low	0.2	6.0

MR1, type OA70

Note wiring code: green base, white collector, red emitter.

Dismantling: Radio chassis. Gently prise off plastic tuning knob. Prise off boss and tuning pointer with tweezers or pliers. Remove motor



CIRCUIT DIAGRAM—

