

# DYNATRON

# GRI4, GRI4 M 'Cordova', SCU 4.

**General Description:** Model GR14 is a fully transistorised transportable stereo adaptable record player incorporating an automatic record player and 10 in. elliptical loudspeaker driven by a 7 watt push pull amplifier. Model GR14M is similar but fitted with a Garrard SP25 single record player unit.

The GR14 series "Cordova" can be connected with its associated stereo conversion unit SCU4 to give full range stereo. It has a mains on/off control in addition to those for the SCU4.

The SCU4 has an identical amplifier and loudspeaker complement to the GR14 series but does not include a record playing unit or power unit. Volume, bass and treble controls.

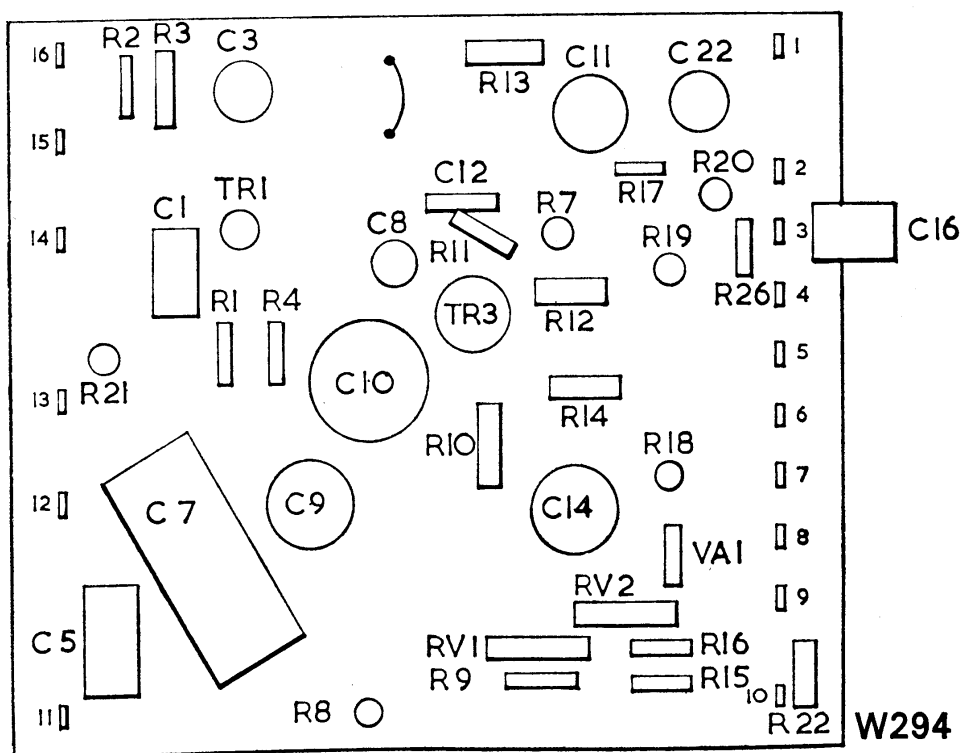
**Mains Voltage:** (GR14) 195-250 volts. A.C. only. 50Hz (other voltages, i.e. 110 volts and 60Hz special order). Fused 1 amp.

**Power Output:** 7 watts (speech and music rating) 5 watts R.M.S. into 4 ohms.

**Loudspeaker:** 10 in. × 6 in. elliptical special cone high flux. 4 ohms.

**Pick-up Cartridge:** (GR14) Stereo cartridge GKS25T. Diamond stylus. Tracking weight 4-5 grms.

**Indicator Lamp:** (GR14) 6.5 volts. 0.3A M.E.S.



(W294) COMPONENT LAYOUT (DRIVER STAGES)—MODEL GR 14, etc.

### Chassis Removal GR14

**Amplifier and Power Unit:** Remove 5 screws holding motor board to cabinet, then the 3 screws holding back of amplifier compartment and remove back.

Lift up motor board and insert rear edge into slots in side rails to hold vertically. Release crosshead screws at each end of scale and lift up control panel and amplifier complete. Disconnect leads as necessary for service or complete removal.

When replacing knobs be sure to support control from the underside to prevent undue strain being placed on control mounting lugs.

### Chassis Removal SCU4

**Amplifier:** Remove screws holding base cover and pull off control knobs from control shafts. Remove 2 4 BA nuts and washers holding chassis to underside of control panel and withdraw chassis.

When replacing control knobs be sure to support control from underside to prevent undue strain being placed on control mounting lugs.

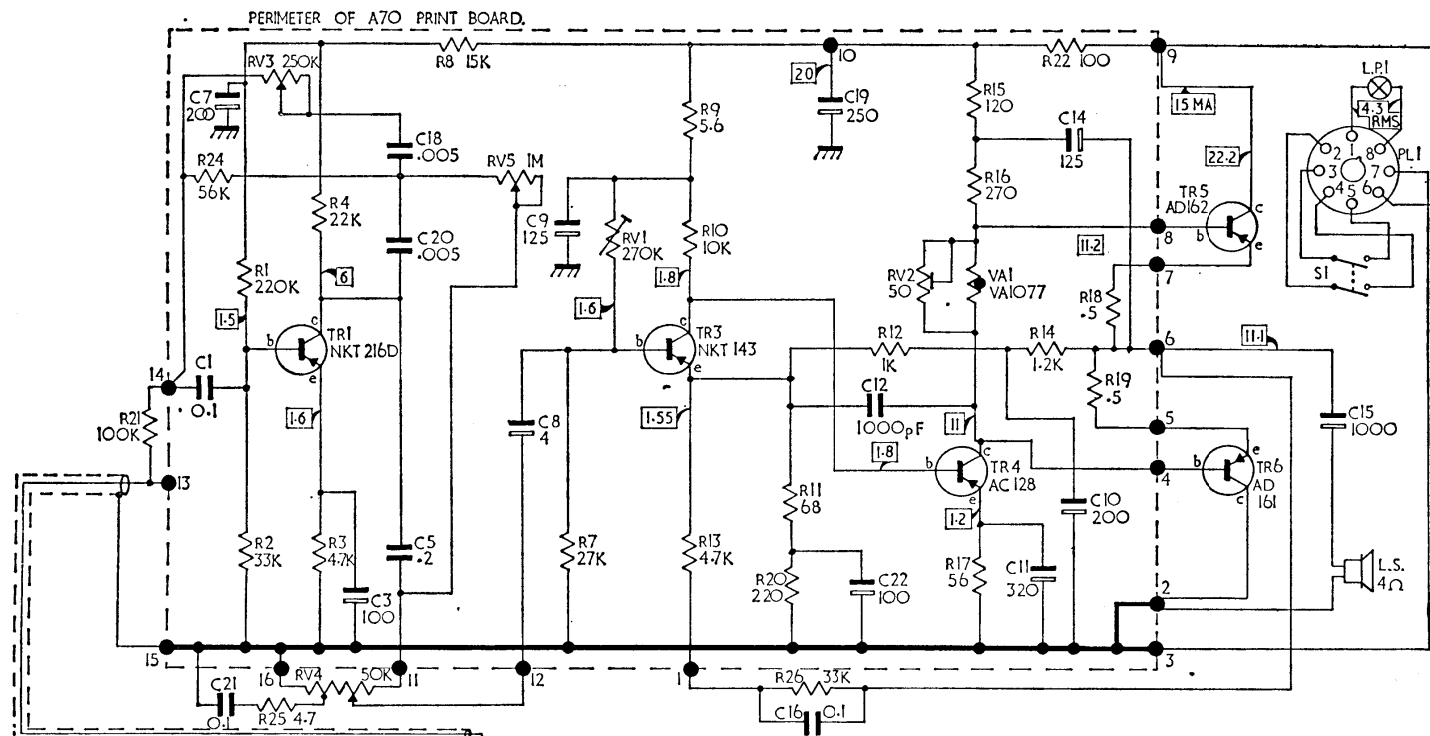
**Quiescent Current—TR5 and TR6:** 1. Disconnect TR5 collector from tag 9 and insert 25 mA range meter in series. 2. Adjust RV2 to give indication of 15 mA. 3. Adjust RV1 to give exactly half voltage at tag 9 when Avo connected to tag 7. 4. Recheck 2 above (Total amplifier current approximately 45 mA).

**Static Voltages:** These voltages are shown on the circuit diagram measured with Avo 8, mains 240 volt input.

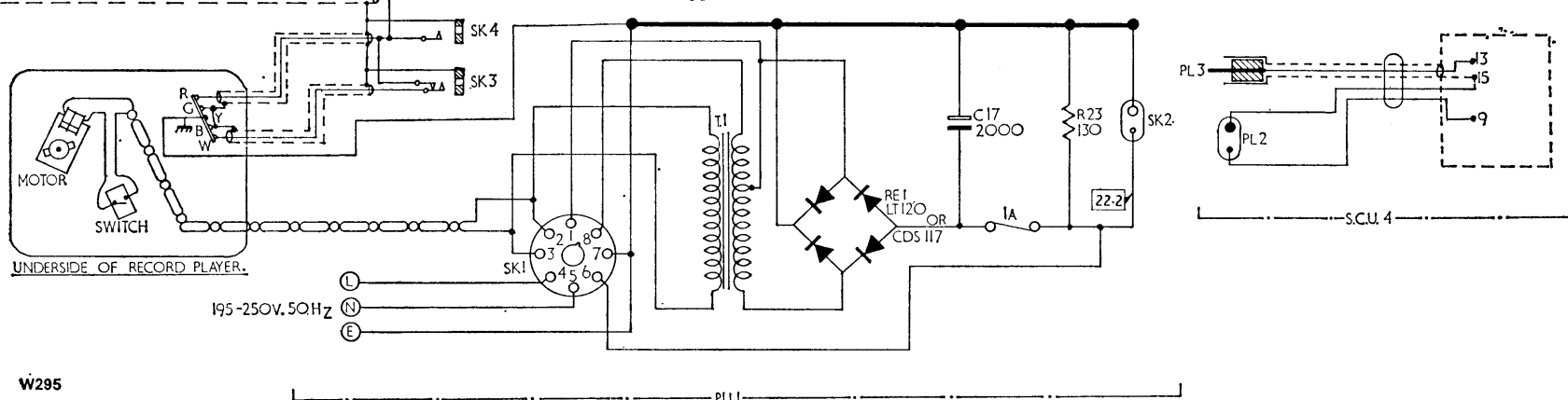
*NOTE:*

Circuit Diagram SCU4 is as GR14 less power unit and pick-up connections.

470



NOTE: ALL VOLTAGES  
MEASURED WITH AVO 8  
ON 10V RANGE IN  
RESPECT TO EARTH.



W295

RU.1

(W295) CIRCUIT DIAGRAM—MODEL GR 14, etc.

RADIO SERVICING