

DYNATRON

“CARNIVAL”

Model GR8

General Description: Two-valve (three-stage), transportable stereo-adaptable record reproducer with automatic record changer and elliptical dual-cone speaker. The GR8 can be connected to an extension amplifier and speaker unit, type SCU_I, to convert it into a stereo record player. The circuit diagram covers both the GR8 and SCU_I, and also de luxe **Model GR8A** which has a Garrard auto slim de luxe AT6 unit with diamond stylus.

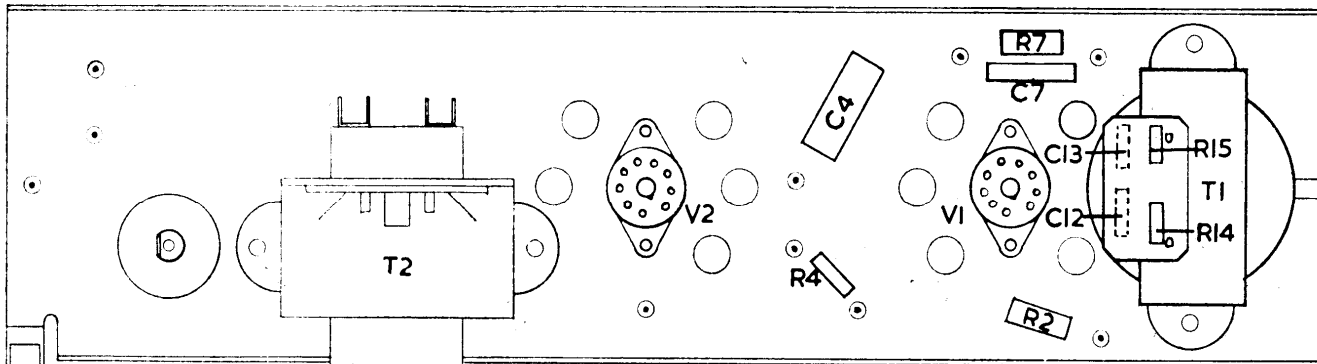
Power Supply: A.C. mains, 200–250 volts, 50 c/s. Consumption 50 watts.

Valve Analysis: Following static voltages measured with Avo Model 8 (20,000 ohms/volt).

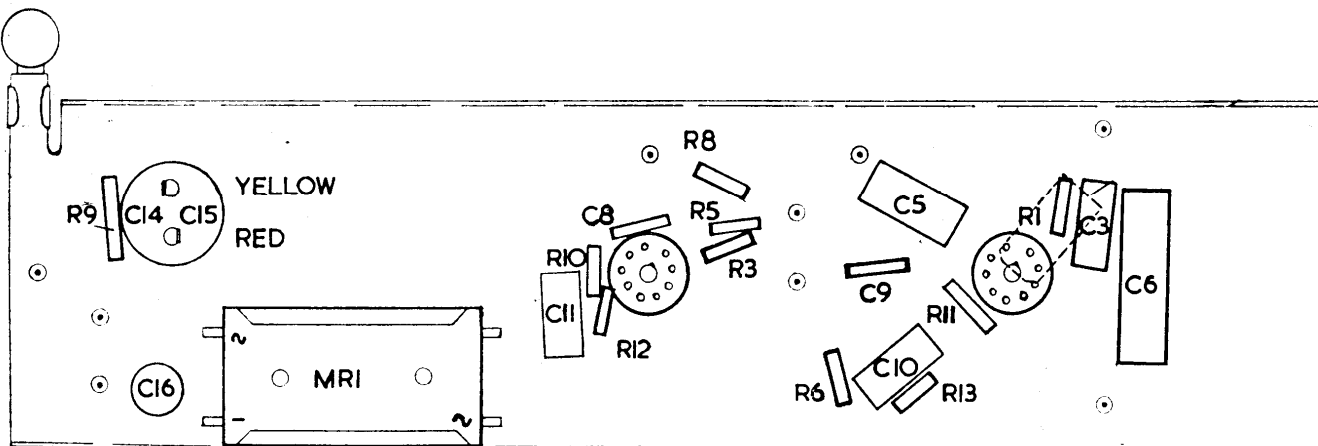
Valve	Function	Anode, volts	Screen, volts	Cathode, volts
V1a ECL86.	A.F. amplifier	110	—	1.1
V2a ECL86.	Phase splitter	180	—	37
V1b ECL86.	Push-pull Output	—	—	—
V2b ECL86.		260	230	6.5

Junction R₉/T₁ 265 volts. Junction R₈/R₉ 230 volts. Junction R₈/R₅ 225 volts. Mains current 135 mA. A.C. Rectifier MR₁, type FC124.

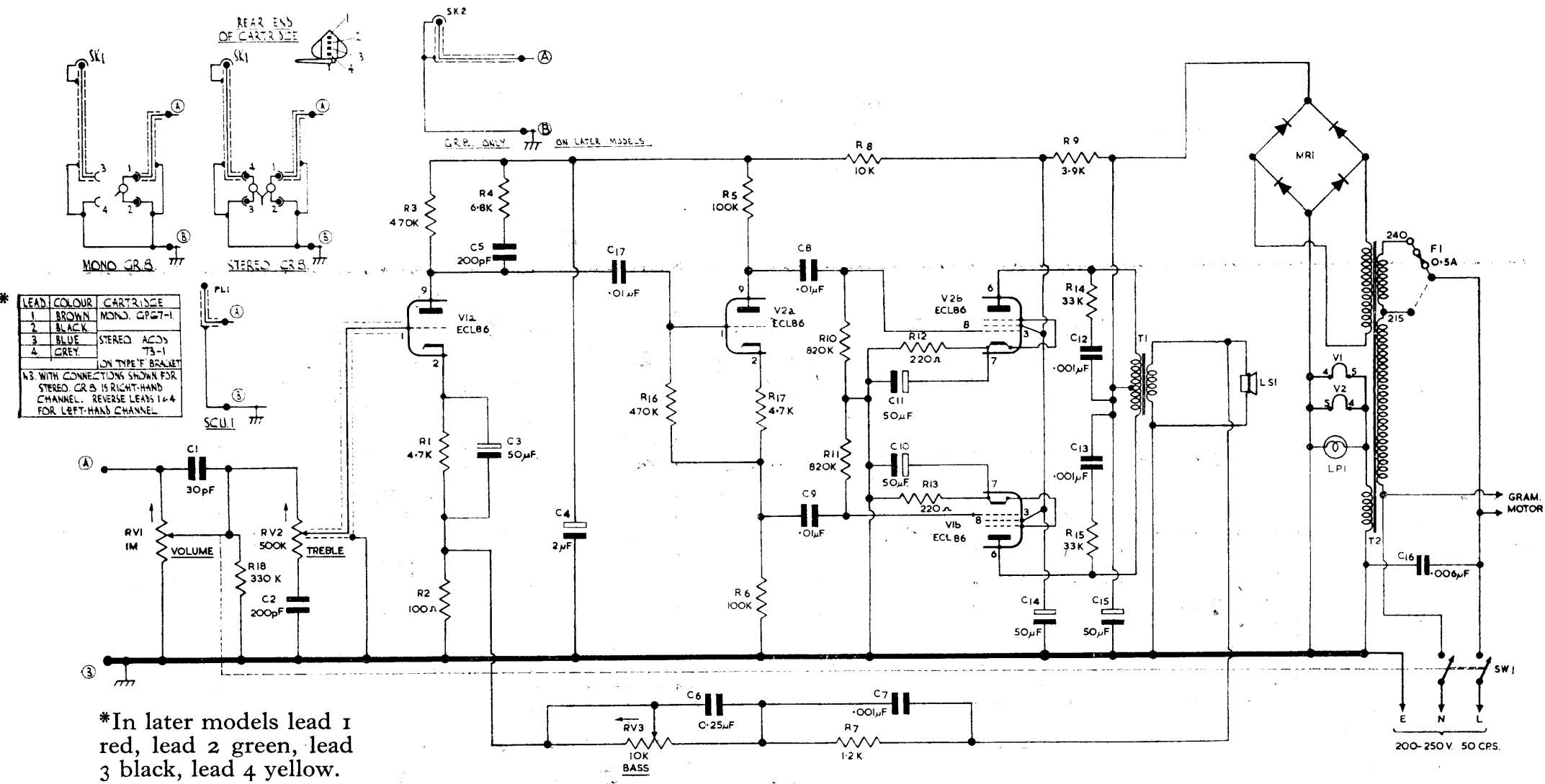
Notes: Pick-up: GR8 as monaural unit, turnover cartridge type GP67/1C. GR8 with SCU_I as stereo unit, compatible turnover cartridge type GP73/1. Indicator lamp, 8-volt, 0.3-amp.



TOPSIDE VIEW OF CHASSIS



UNDERSIDE VIEW OF CHASSIS



CIRCUIT DIAGRAM—DYNATRON "CARNIVAL" MODEL GR8

Dismantling (GR8): Remove four screws from motor board and three screws securing vent board. Remove vent board. Lift out autochanger and motor board.

Remove two securing screws from control cover and two wooden screws from internal wooden blocks located on front sides of cabinet. Front baffle complete with tone control can then be dropped forward from cabinet. Remove tone control and amplifier by unscrewing their retaining nuts.

To replace units, reverse above procedure, ensuring that pick-up leads are kept clear of mains transformer to avoid hum.

Component Notes: C12 and C13 have A.C. ratings to B.S. 415. Fuse 0.5-amp. RV1 1M log. RV2 500k lin. RV3 10k log. C16 0.006 μF. (300 v. A.C.).

LEAD	COLOUR	CARTRIDGE
1	BROWN	MONO GP7-1
2	BLACK	STEREO ACOS
3	BLUE	73-1
4	GREY	

ON TYPE 'F' BRACKET

W3 WITH CONNECTIONS SHOWN FOR STEREO GR8 IS RIGHT-HAND CHANNEL. REVERSE LEADS 1-4 FOR LEFT-HAND CHANNEL.

*In later models lead 1 red, lead 2 green, lead 3 black, lead 4 yellow.