

DYNATRON

Models GR9, GR9A, GR9B,
GR10S, SCU2

General Description: The "Carnival" model GR9 is a fully transistorised transportable stereo-adaptable record player incorporating an automatic record changer and an elliptical dual-cone loudspeaker. Model GR9A incorporates a laboratory series record changer, and Model GR9B a single record player.

The GR9 series can be connected to an extension amplifier and speaker unit, type SCU2, to convert into a stereo record player.

The SCU2 has an identical specification to that of the Carnival, but does not incorporate a record playing unit or power unit.

The "Cavalcade" model GR10S has a cabinet finished in teak or walnut veneer, twin loudspeakers and a laboratory series record changer.

Semi-conductors: (TR1) DI069; (TR3) 2G371A; (TR4) AC128; (TR5) AD162; (TR6) AD161 (*n-p-n*); (VA1) Thermistor VA1077; (RE1) Rectifier LT120.

Pick-up Cartridge: Acos GP91-1 with diamond stylus. Tracking weight 4-6 grammes.

Chassis Removal: Remove motor board fixing screws and lift complete assembly to extent of leads. Disconnect mains and pick-up leads to gram unit. Amplifier, power unit and control panel may each be removed by releasing their two fixing nuts. To replace chrome control panel on GR9 remove two top fixing screws and prise off gently from rear against fixing adhesive.

Stereo Conversion Unit SCU2: Installation: Removing Mono pick-up cartridge: GR9:—Remove two screws securing cartridge bracket to underside of pick-up arm. Discard these screws and the white plastic spacer plate. Carefully remove the Red and Green wire connections. Two further wires coded Blue and White will be found taped to the arm. Connect these four wires as shown in the diagram.

GR9A & B: Remove screw securing cartridge bracket to head shell and withdraw cartridge. Carefully remove the Red and Green wire connections. Two further wires coded Blue and White will be found taped to the head shell.

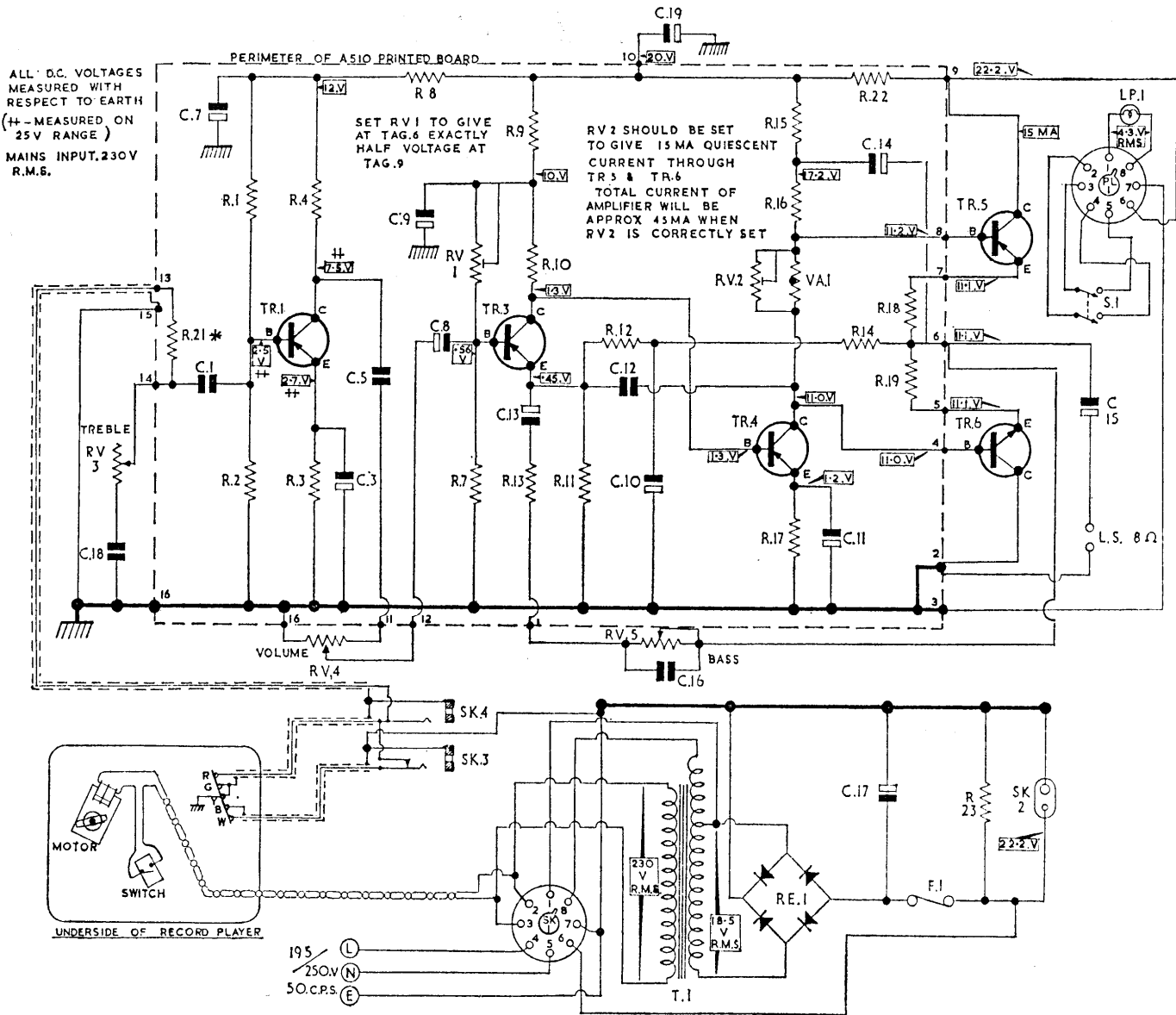
Capacitors.
C1 0.1 mF.
C3 100 mF.
C5 0.2 mF.
C7 200 mF.
C8 16 mF.
C9 125 mF.
C10 200 mF.
C11 160 mF.
C12 1000 pF.
C13 25 mF.

C14 125 mF.
C15 1000 mF.
C16 0.05 mF.
C17 2000 mF.
C18 0.02 mF.
C19 250 mF.

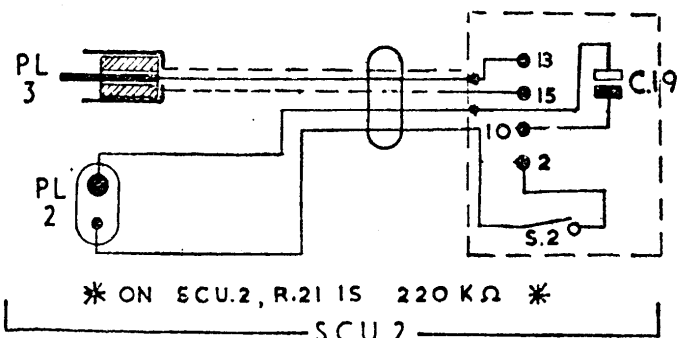
Resistors.
R1 220k
R2 82k
R3 15k

R4 22k
R7 4.7k
R8 33k
R9 5.6k
R10 5.6k
R11 6.8k
R12 1k
R13 4.7k
R14 1.2k
R15 120k
R16 270k

R17 56k
R18 1k \pm 2k
R19 1k \pm 0.2k
R21 470k
R22 100k
R23 130k
RV1 100k
RV2 50k
RV3 25k (log.)
RV4 50k (log.)
RV5 50k (log.)



CIRCUIT DIAGRAM—DYNATRON MODELS GR9, GR9A, GR9B, GR10S AND SCU2



CONNECTIONS—PLUGS 2 AND 3

COMPONENT LAY-OUT—AMPLIFIER

