

## DYNATRON

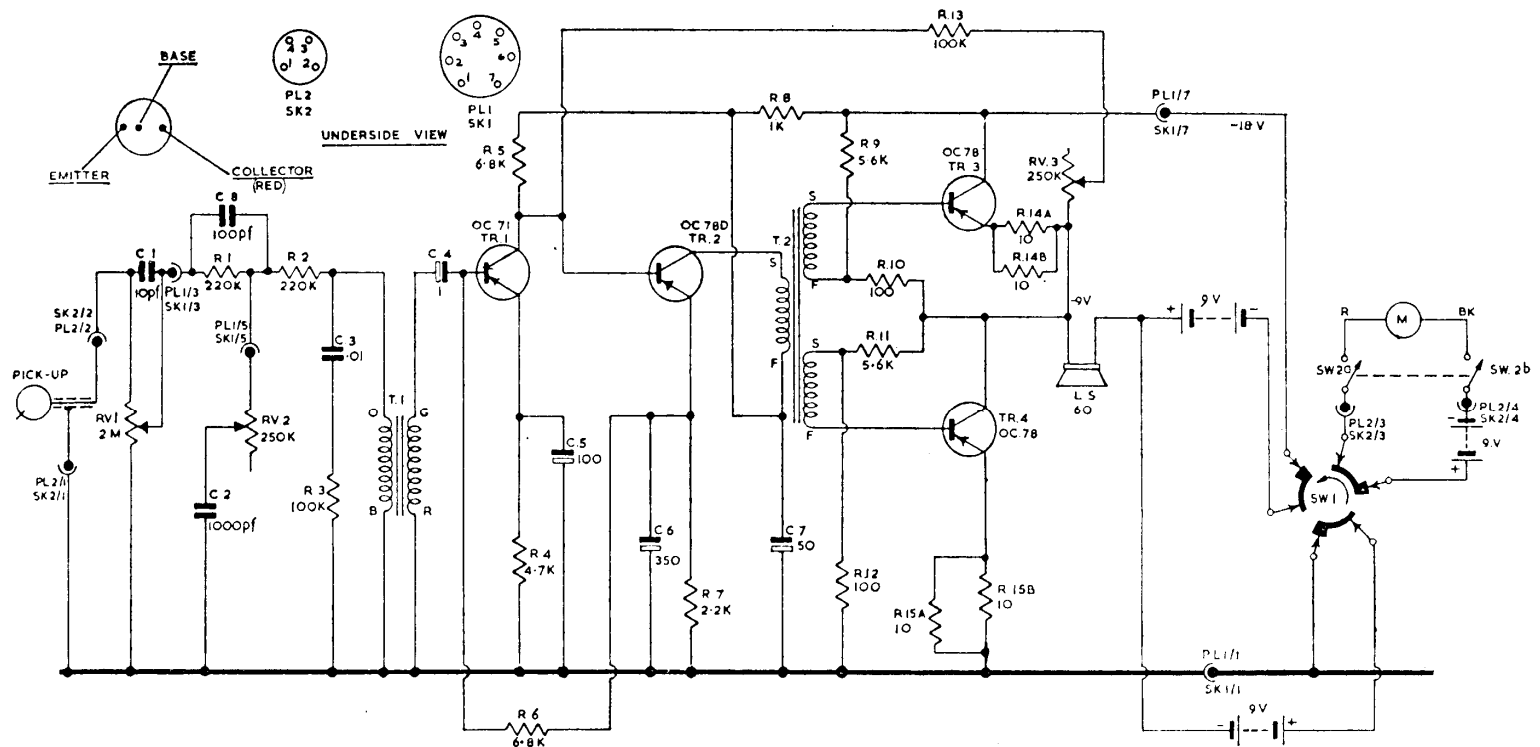
## "ROMANY"

## Model GRP I

**General Description:** Four-transistor, portable record reproducer with four-speed single playing record unit. Sonotone 2T pick-up.

**Power Supply:** Three 9-volt batteries (PP9 or equivalent).

**Transistors:** (TR<sub>1</sub>) OC71; (TR<sub>2</sub>) OC78D; (TR<sub>3, 4</sub>) matched OC78.



CIRCUIT DIAGRAM—DYNATRON "ROMANY" MODEL GRP I

**Notes:** When removing batteries ensure that unit is switched off. Unclip and lower hinged flap located on right-hand side of cabinet. Centre (motor) battery is spring loaded. Outside batteries are connected in series for amplifier. Ensure black leads connected to negative terminals; red to positive terminals.

**Model GRP I A:** Romany models with serial numbers above 3499 use the GRP I A transistor amplifier providing output up to 1-watt. Transistors: (TR<sub>1</sub>) GET114; (TR<sub>2</sub>) GET113; (TR<sub>3, 4</sub>) GET114. The following component values are changed: R<sub>7</sub> 1.2k, R<sub>8</sub> 470, R<sub>14</sub> 4.7, R<sub>15</sub> 4.7. A 50- $\mu$ F capacitor is connected across the 18-volt battery line. The speaker impedance is changed from 60 ohms to 25 ohms.