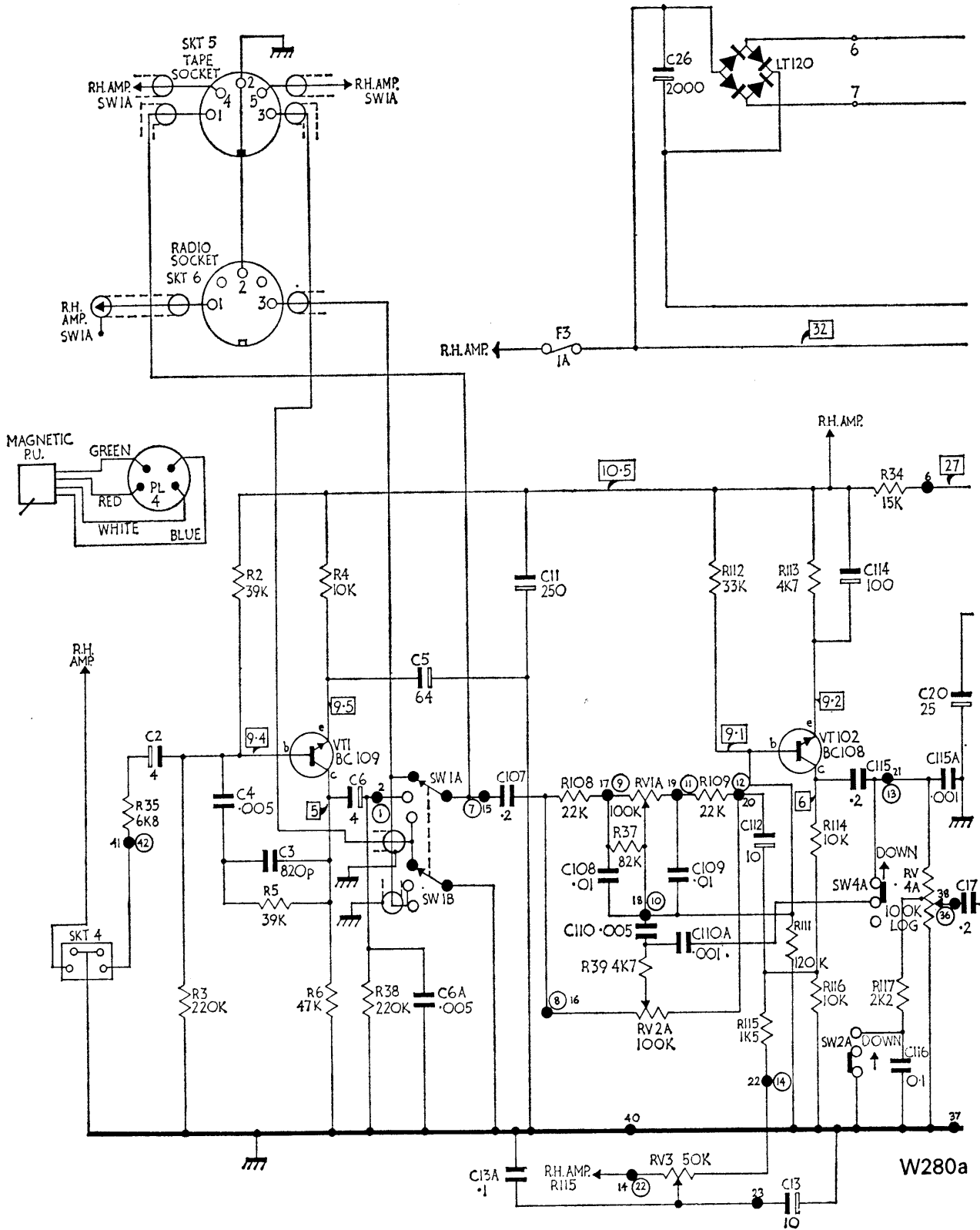


DYNATRON

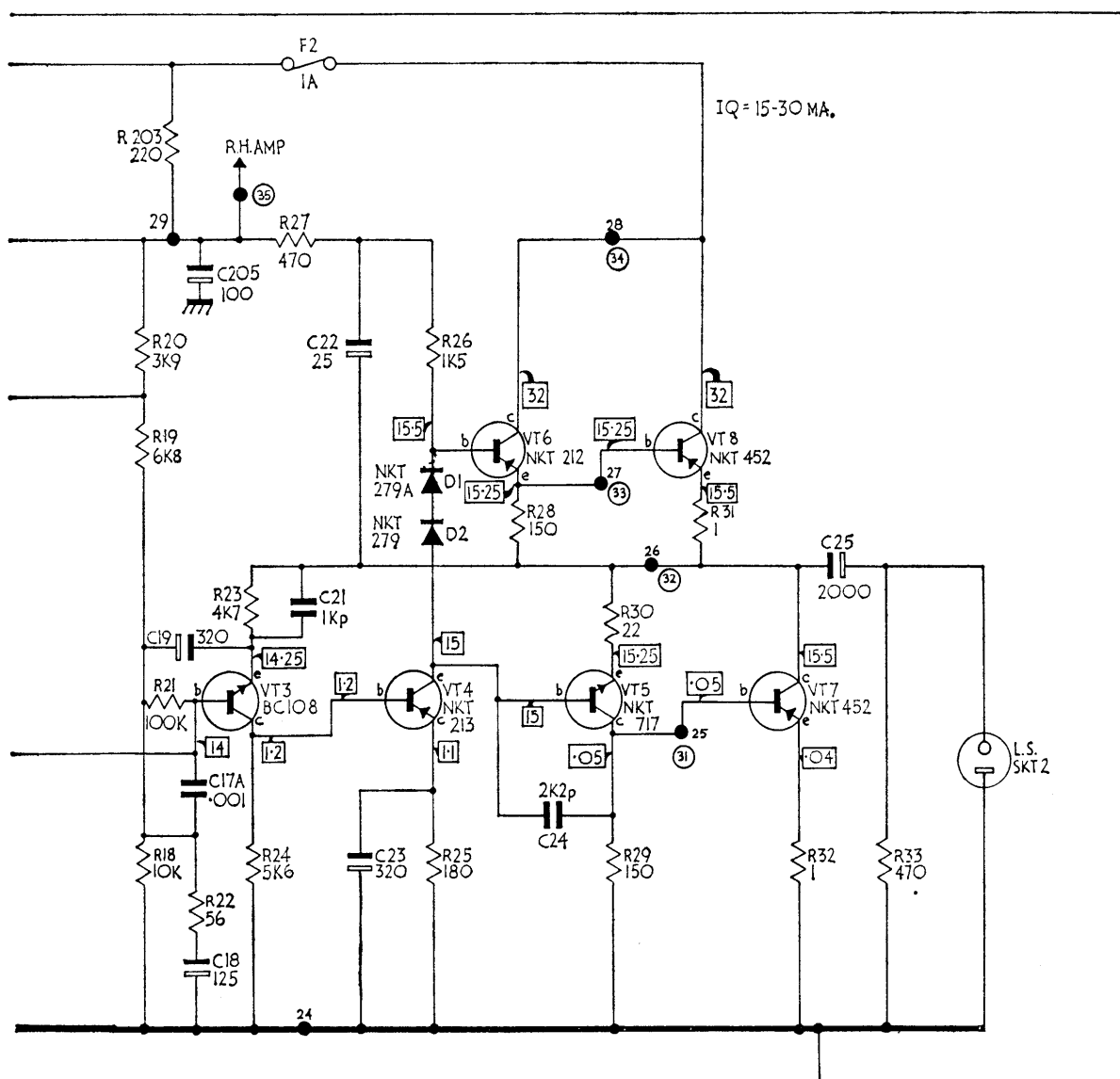
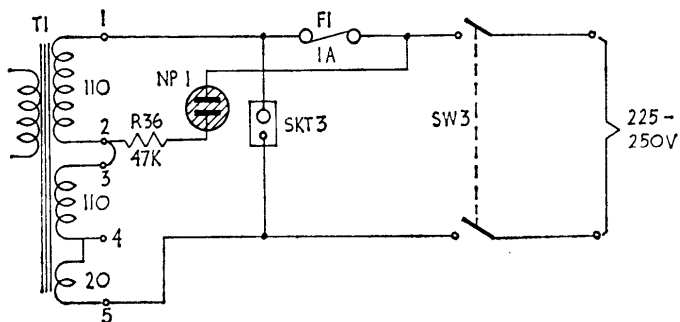
Model HFC10 'Mazurka'

General Description: The "Mazurka" Model HFC10 is a fully transistorised stereo record reproducing instrument containing a Dynatron Trans-



(W280a) CIRCUIT DIAGRAM—MODEL HFC10 (PART)

power stereo amplifier and a Garrard Model SP25 Mk. 2 player unit fitted with Goldring G800 Magnetic Stereo Cartridge. The amplifier has an output exceeding 12 watts each channel and a comprehensive tone control network in each pre-amplifier channel. There is provision for connecting a self-powered



W280b

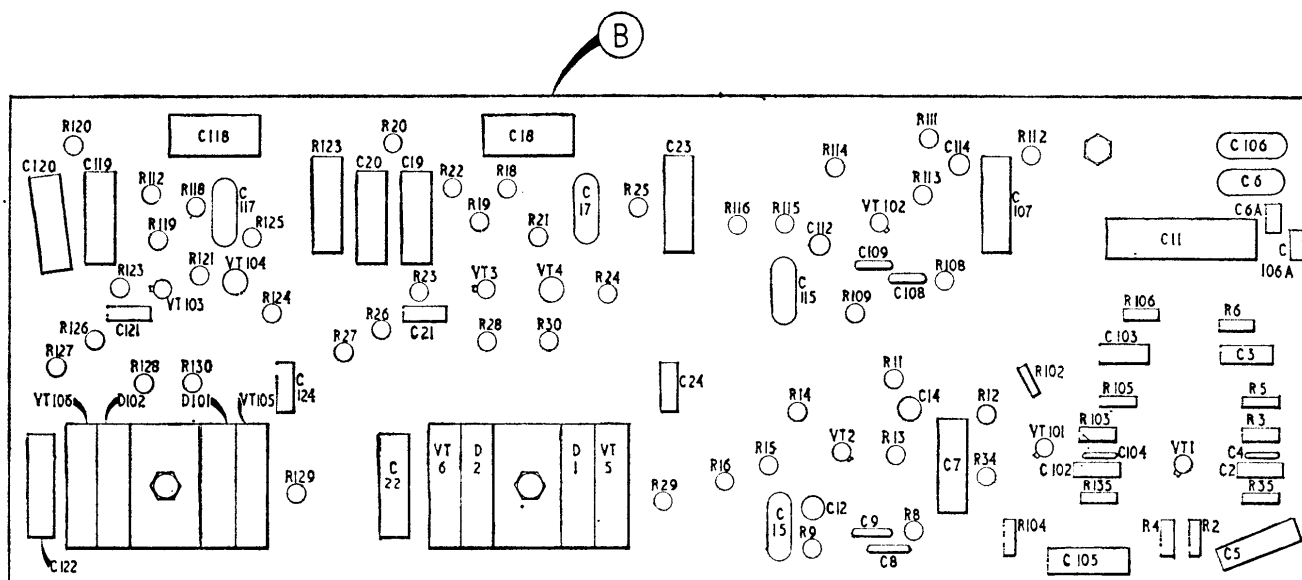
- L.H. CHANNEL ONLY SHOWN.
- [15] { D.C. VOLTAGES MEASURED RELATIVE TO CHASSIS
- { USE AVO 8 - NO SIGNAL CONDITIONS: 240V INPUT
- 23 ● BOARD CONNECTOR PINS
- ④ R.H. AMP. PIN NUMBERS

(W280b) CIRCUIT DIAGRAM—MODEL HFC10 (CONTINUED)

tuner unit and either mono or stereo tape recorders may be used in conjunction with the instrument. Standard DIN pattern sockets are provided for these inputs and also for loudspeaker connection. Dynatron loudspeaker units are recommended for this instrument—either LS100, LS150, LS200 or LS300 are suitable depending on customer choice. Other loudspeakers may be used of 4ohm impedance for full power use although higher impedance may be considered at reduced power. The instrument may be adjusted for A.C. mains supplies of 100volts, 190–220 volts and 225–250volts and 50 or 60 c/s (Hz).

Fuses: 3 at 1 amp.

Chassis Removal: Much service work can be undertaken without removing chassis from cabinet by merely releasing motor board mounting screws and lifting motor board. Should complete removal be required then proceed as follows: Remove pick-up and motor supply plugs from chassis. Remove rotary control knobs by pulling off. Release 4 BA nuts securing power/sockets panel to rear wall of cabinet. Release 4 BA nuts from chassis mounting brackets and withdraw complete unit from cabinet.



W284

(W284) COMPONENT LAYOUT (AUDIO STAGES)—MODEL HFC10. Note: Component Numbers Prefixed 100 belong to the R.H. Channel

Note: It is not necessary to remove stand ST16 if fitted to cabinet.

To Operate on other Mains Supplies: Change tappings on mains transformer. Change record player motor tappings. Change motor drive-pulley for 60 c/s or 50 c/s. Change mains fuse as necessary.

Transformer Wiring:

For 110 V Supply

- Link 1 with 3
- Link 2 with 4
- Red Wire to 1
- Black Wire to 2

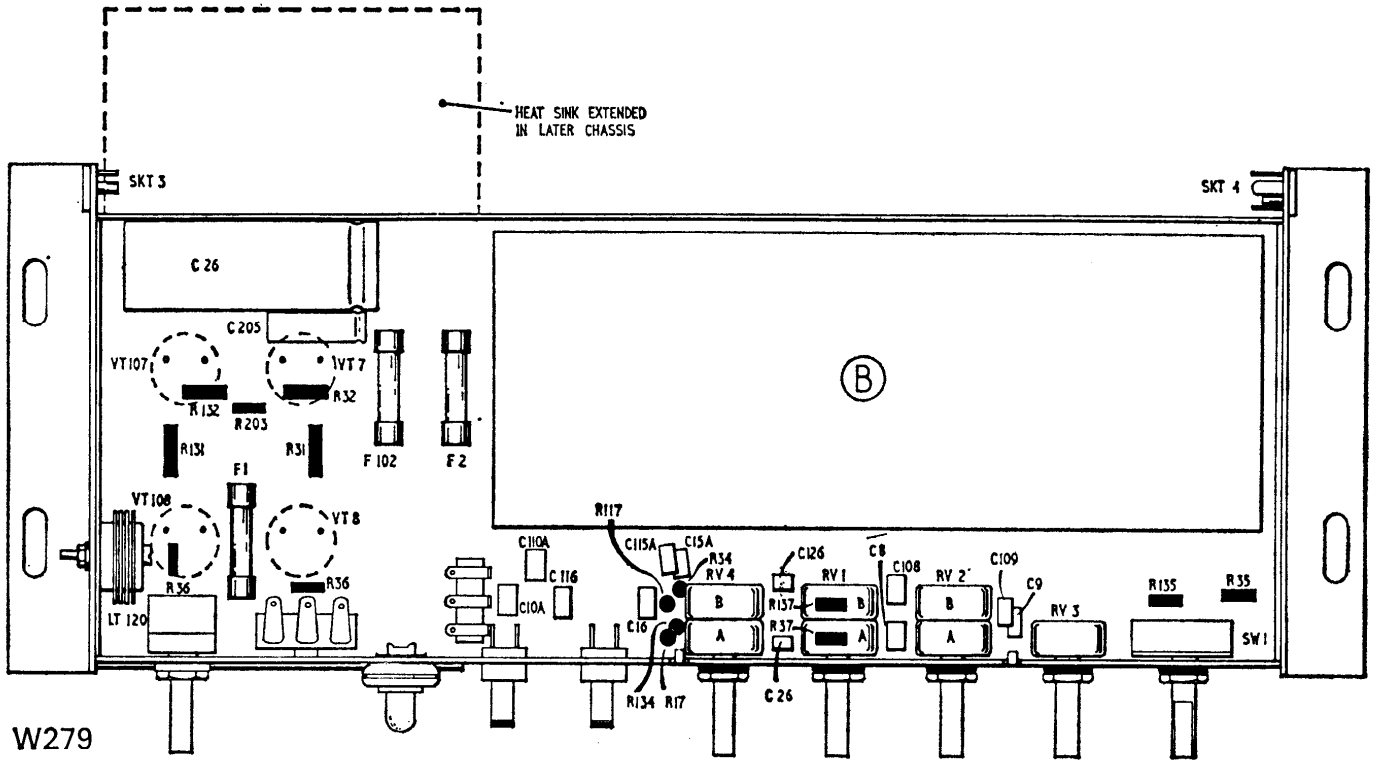
For 220 V Supply

- Link 2 with 3
- Red Wire to 1
- Black Wire to 4

For 240 V Supply

- Link 2 with 3
- Red Wire to 1
- Black Wire to 5

DYNATRON



(W279) COMPONENT LAYOUT (POWER SUPPLIES AND CONTROLS)—MODEL HFC10

Record Player Motor: Connect links on voltage tapping plate as shown on motor terminal block cover.

Drive Pulley: Remove turntable and fit correct drive pulley. Steel Pulley for 50c/s. Brass Pulley for 60c/s.

Mains Fuse: Locate and change mains fuse if necessary. Use 1 amp rating for 220 and 240 V supply. Use 2 amp rating for 100 V supply.