

DYNATRON

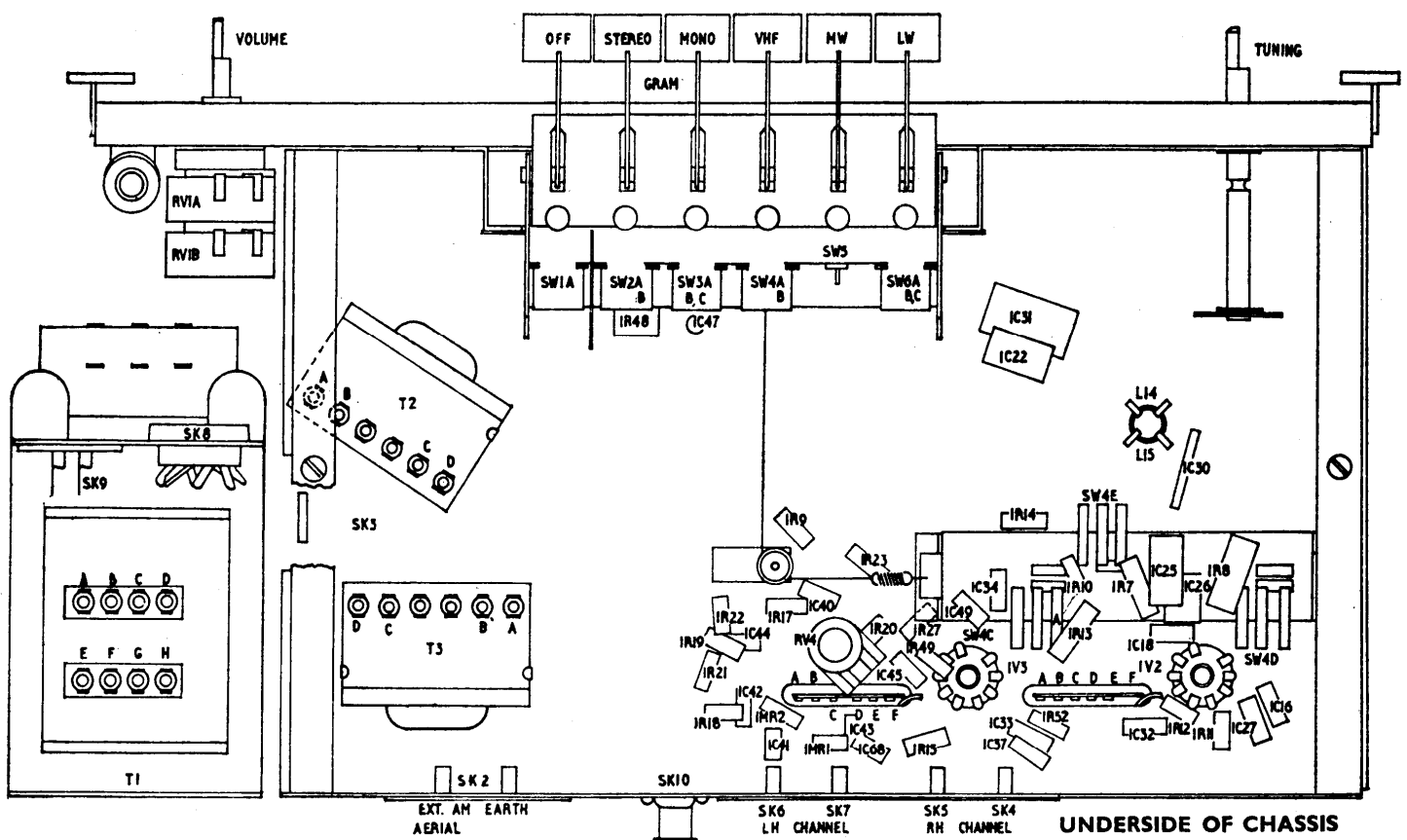
Models RG22, RG23

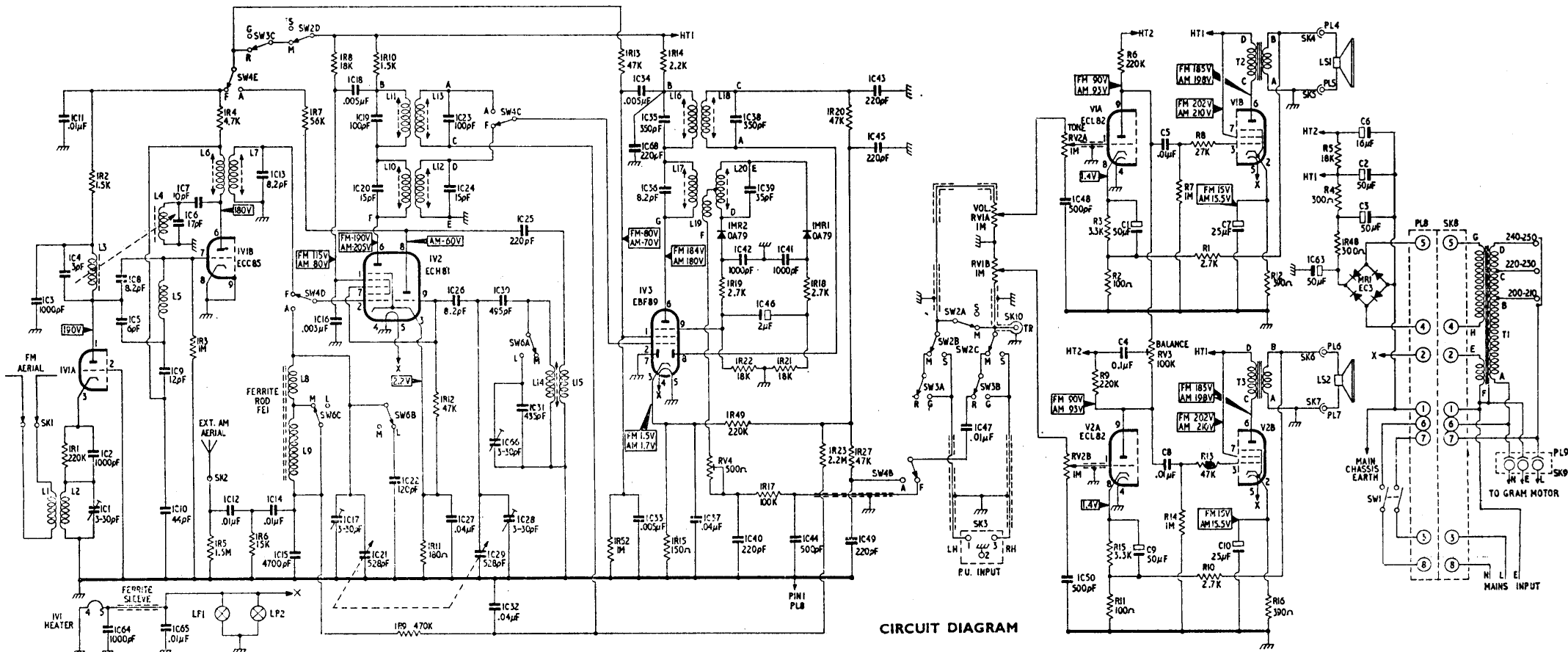
General Description: Model RG22 "Windsor" and Model RG23 "Cliveden" are five-valve (plus metal rectifier and two crystal diodes), M.W./L.W./V.H.F., A.M./F.M. stereo radiograms with Garrard "Auto-slim" record unit. Each amplifier has two-watt output stage feeding 8-in. and 4-in. loudspeakers. Power supply A.C. mains, 200-250 volts, 50 c/s. (radio 60 watts, gram motor 10 watts).

Valves and Semiconductors: (1V₁) ECC85; (1V₂) ECH81; (1V₃) EBF89; (V₁, V₂) ECL82; (1MR₁, 1MR₂) OA79; (MR₁) Westinghouse EC3.

Dismantling: Upper and lower back covers are released by undoing 16 associated retaining screws. Disconnect chassis supply lead from mains transformer. Disconnect pick-up lead and four speaker leads from chassis. **Chassis:** Slacken grub screws and remove tone and balance control knobs. Remove four retaining screws on chassis mounting straps. Access to these screws may be obtained via lower compartment. Chassis may then be withdrawn from cabinet. **Record unit:** Disconnect mains supply to motor. Remove autochanger by releasing two spring-loaded retaining clips in base-board of unit and lifting unit clear.

Alignment: 10.7 Mc/s. (L₁₇, L₂₀, L₁₀, L₁₂, L₆, L₇). Unless facilities for measurement of A.M. are available, RV₄ should be left to factory setting or if disturbed to minimum noise on weak signal that has been accurately tuned in. Discriminator to be aligned after R.F. 10.7 Mc/s. (L₂₀). A.M. I.F. 470 kc/s. (1L₁₈, 1L₁₆, 1L₁₃, 1L₁₁). F.M. R.F. 92 Mc/s. (L₄, L₃, 1C₁). M.W. 600 kc/s. (L₁₄, L₈); 1500 kc/s. (1C₂₈, 1C₁₇). L.W. 214 kc/s. (1C₆₆, L₉).





CIRCUIT DIAGRAM—DYNATRON MODELS RG22 (“WINDSOR”) AND RG23 (“CLIVEDEN”)

Notes: Correct phasing of the loudspeakers is essential. Each speaker has one terminal coded red which is connected by red plug to socket on rear of chassis. These red plugs must be inserted into outer sockets SK4 and SK6 respectively. IR48, R4 300 ohms 5 watts, wire-wound. LP1, LP2 6/8 volts, 0.3 amp. IC30 1 per cent. RV1, 2 M + 1M (log.). RV3 100k (lin.). RV4 500 (miniature lin.).