

**DYNATRON****Models RG33S, RG34S, RG39S,  
RG41S: RG25S, RG29S, RG32S,  
RG37S, RG38S, RG40S**

**General Description: Models RG33S, RG34S, RG39S, RG41S:** This series of fully transistorised radiogramophones incorporates four-waveband radio tuners type T65S for the reception of broadcasts on V.H.F., Short, Medium and Long Wavebands. A socket is provided for a multiplex decoder unit to be plugged in for reception of stereo radio broadcasts. These models are fitted with an integrated stereo amplifier Type 12/10 with controls for input selection, balance, volume, bass, treble and on/off. Three slider switches provide a "loudness" control, selection of mono/stereo reproduction and meter indication for stereo balance on V.H.F. tuning.

**Semi-conductors:** Tuner Type T65S. (VT1) AF102; (VT2) AF115; (VT3) AF115; (VT4) AF116; (VT5) AF116; (D2) SFD107.

**Alignment:** A.M. I.F. 470 kc/s. (T6, T4, T2); M.W. 650 kc/s. (L8, Ae. coil); 1500 kc/s. (C23, C24); L.W. 214 kc/s. (C21, Ae. coil); S.W. 7 Mc/s. (L10, L9); 14.5 Mc/s. (C27, C26); F.M. I.F. 10.7 Mc/s. (T7, T5, T3, L3, L4); 92 Mc/s. (L5, L3/4); 92 Mc/s. 22½ kc/s. (Ls, L1); 102 Mc/s. (C15, C7).

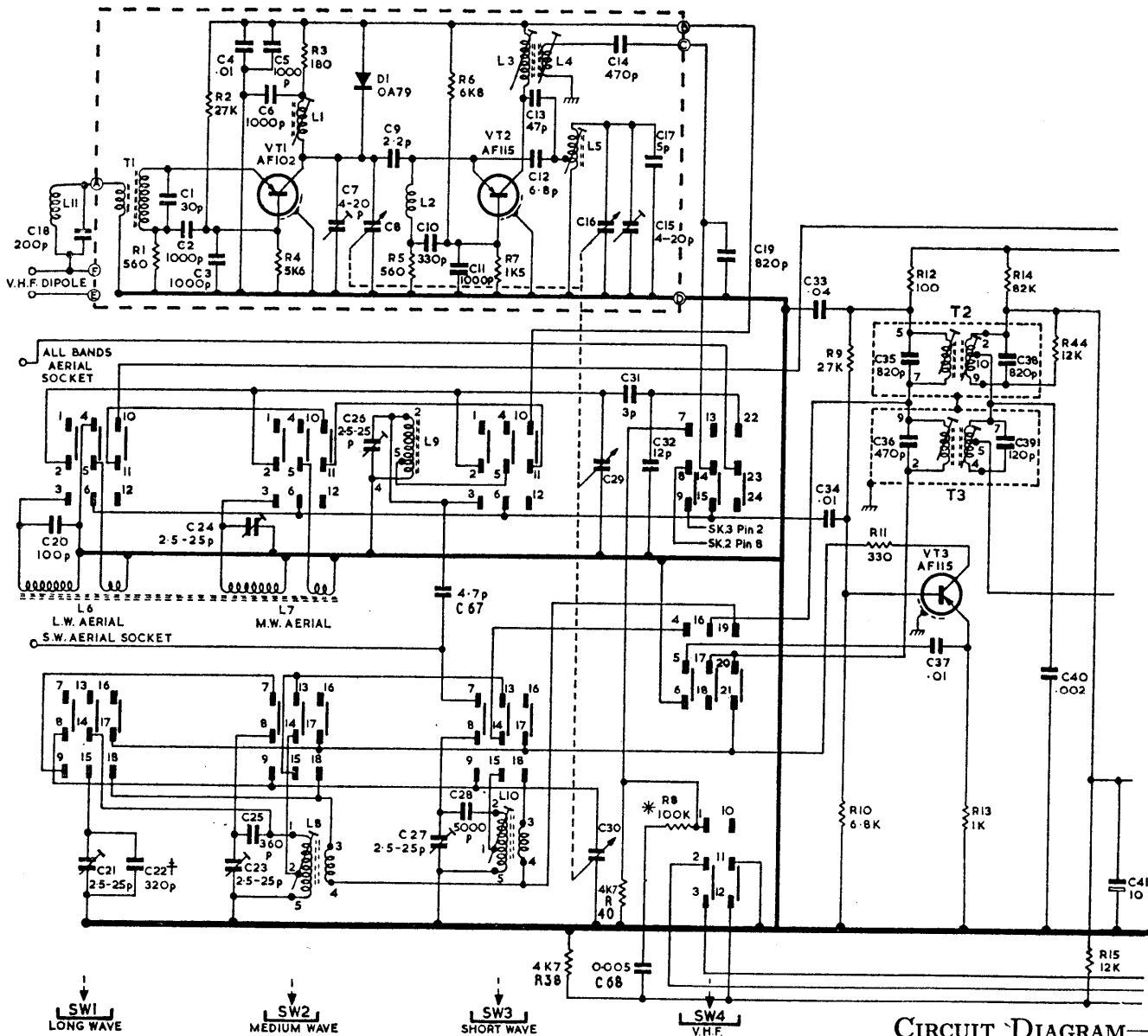
**Amplifier Type 12/10: Semi-conductors:** (2xTR1) D1069; (2xTR2) sG339; (2xTR3) 2G371A; (2xTR4) AC128; (2xTR5) AC162; (2xTR6) AC161 (*n-p-n*).

**General Description: Models RG25S, RG29S, RG32S, RG37S, RG38S, RG40S:** This series of models incorporates four-waveband RT Type T65S and is fitted with Type 16/20 integrated stereo amplifier. Scratch filter and rumble filter switches are incorporated and a high power output stage delivers 10 watts per channel. The Type 12/10 and Type 16/20 integrated stereo amplifiers contain the pre-amplifiers, main controls, power amplifiers and power units with the exception of the mains transformer which is mounted separately. All controls operate on both channels, each channel being identical. A centre-zero meter is switched to give indication of V.H.F. tuning or stereo balance.

*Note:* Set RV7 so that meter on "Balance" is centre zero with equal output (1 watt approx.) from each channel at 1 kc/s.

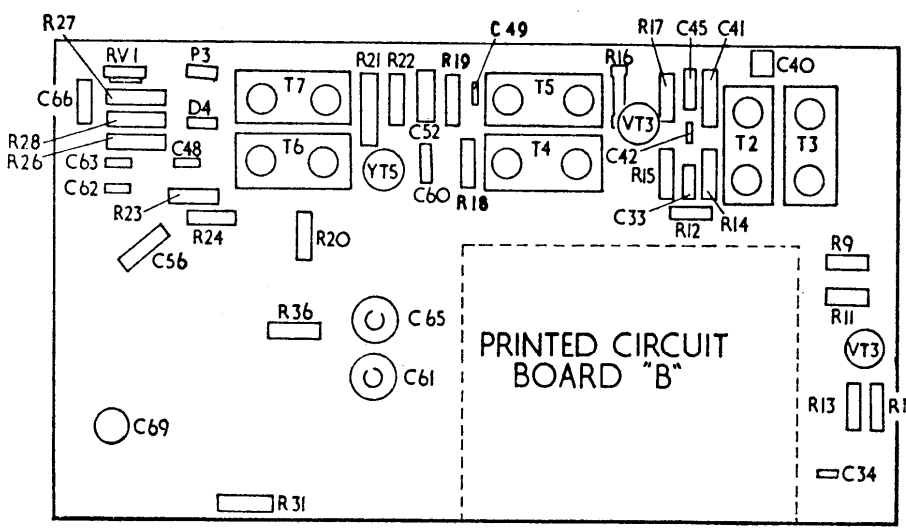
**Amplifier Type 16/20: Semi-conductors:** (2xTR1) D1069; (2xTR2) 2G339; (2xTR3) 2G371A; (2xTR4) AC128; (2xTR5) AC128; (2xTR6) AC176; (2xTR7) AD149; (2xTR8) AD149.

**All Models:** Power supply is by mains transformer with full wave rectification from a bridge-connected silicon unit. H.T. supplies are separately fused to amplifier and tuner. Rectifier Y401; Dial lamps 6.5 volts, 1 watt L.E.S.; Indicator Lamp when fitted 6.5 volts, 0.3 amperes M.E.S.



CIRCUIT DIAGRAM

† C22 IS 200 pF WHEN L.8 (MEDIUM WAVE OSCILLATOR) IS CODED LIGHT GREEN.  
 \* R8 MAY BE ADJUSTED IN FACTORY.



PRINTED CIRCUIT BOARD "A"

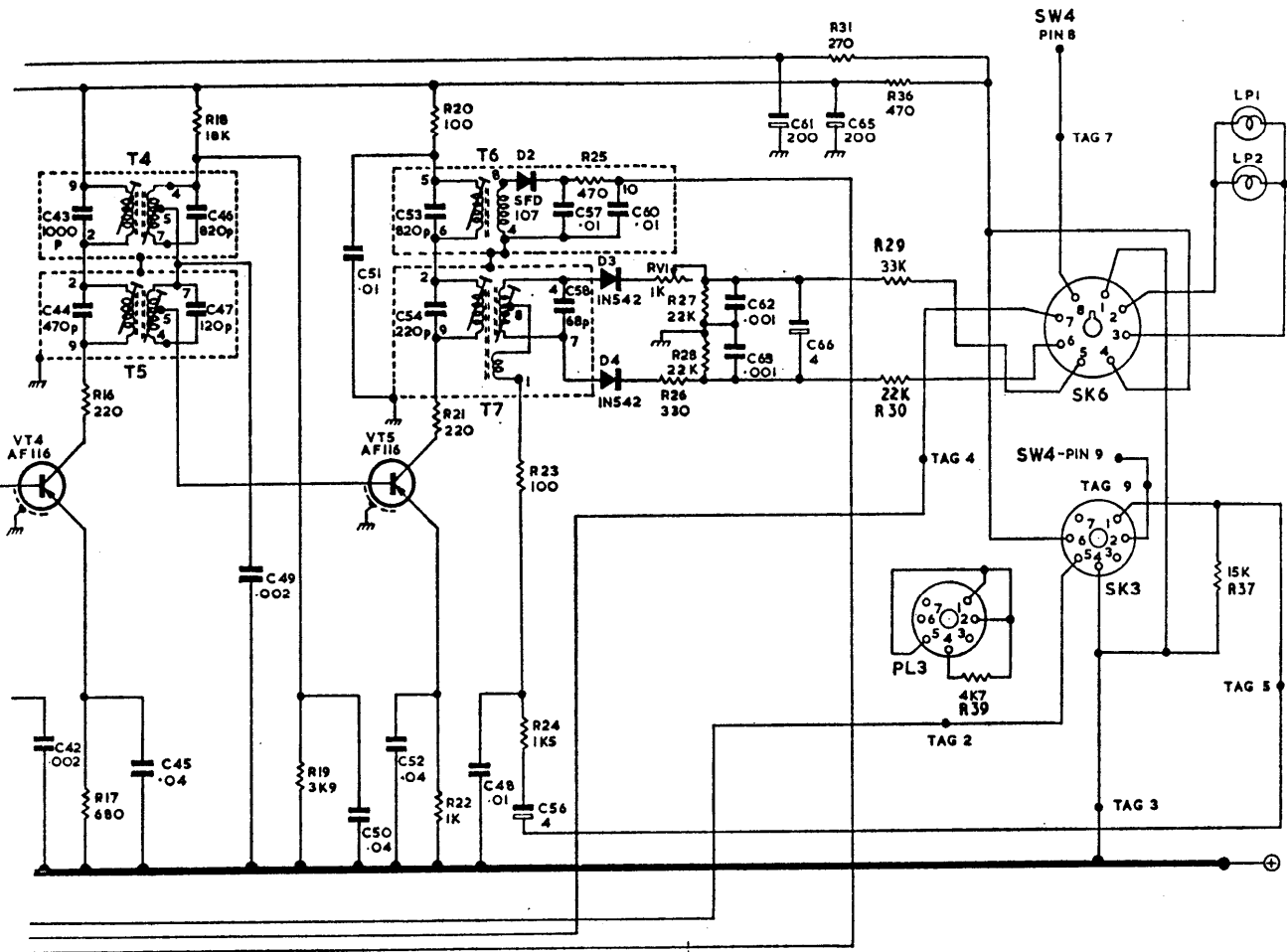
- LOUDSPEAKERS**
- RG25S 2 × 8 in., 3 ohms, 2 × 5 in. 25 ohms treble units.
  - RG29S 2 × 10 in., 3 ohms, 2 × 5 in. 25 ohms middle range, 2 × 4 in. 3 ohms treble.
  - RG32S 2 × 8 in. 3 ohms twin cone, 2 × 4 in. 3 ohms treble unit.
  - RG37S 2 × 8 in. 3 ohms twin cone, 2 × 4 in. 3 ohms treble unit.
  - RG40S 2 × 8 in. 3 ohms twin cone, 2 × 4 in. 3 ohms treble unit.
  - RG38S 2 × 8 in. 3 ohms, 2 × 5 in. 25 ohms treble unit.

- LOUDSPEAKERS**
- RG33S 2 × 8 in. Twin cone, 8 ohms impedance, 2 × 4 in. treble units, 10 ohms imp.
  - RG34S 2-10 × 6 in., 8 ohms imp., 2 × 4 in. treble unit, 10 ohms imp.
  - RG39S 2 × 8 in. twin cone, 8 ohms impedance
  - RG41S 2 × 8 in. twin cone, 8 ohms impedance

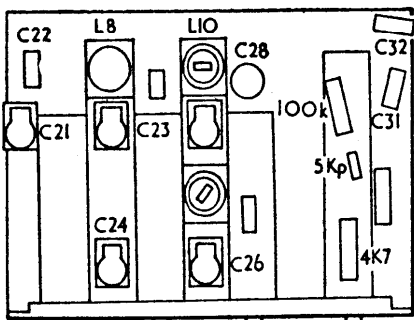
# DYNATRON

The radio tuner Type T65S is fitted to all models.

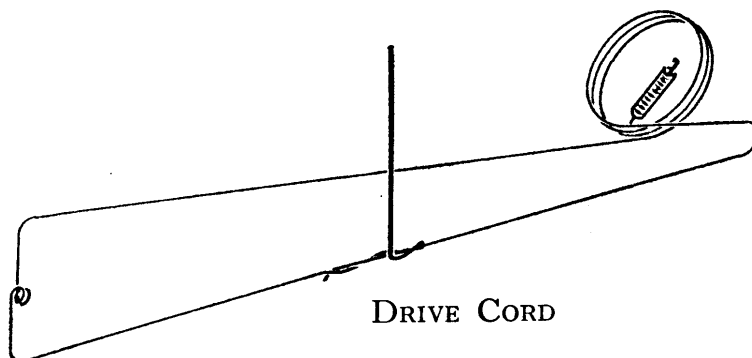
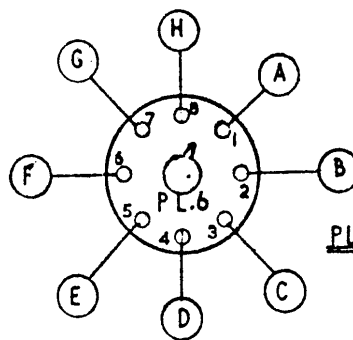
M.W.	525-1620 kc/s.	(573-185 metres)
L.W.	150-250 kc/s.	(2000-1200 metres)
S.W.	5.5-16.25 Mc/s.	(54.5-18.4 metres)
F.M.	87-108 Mc/s.	



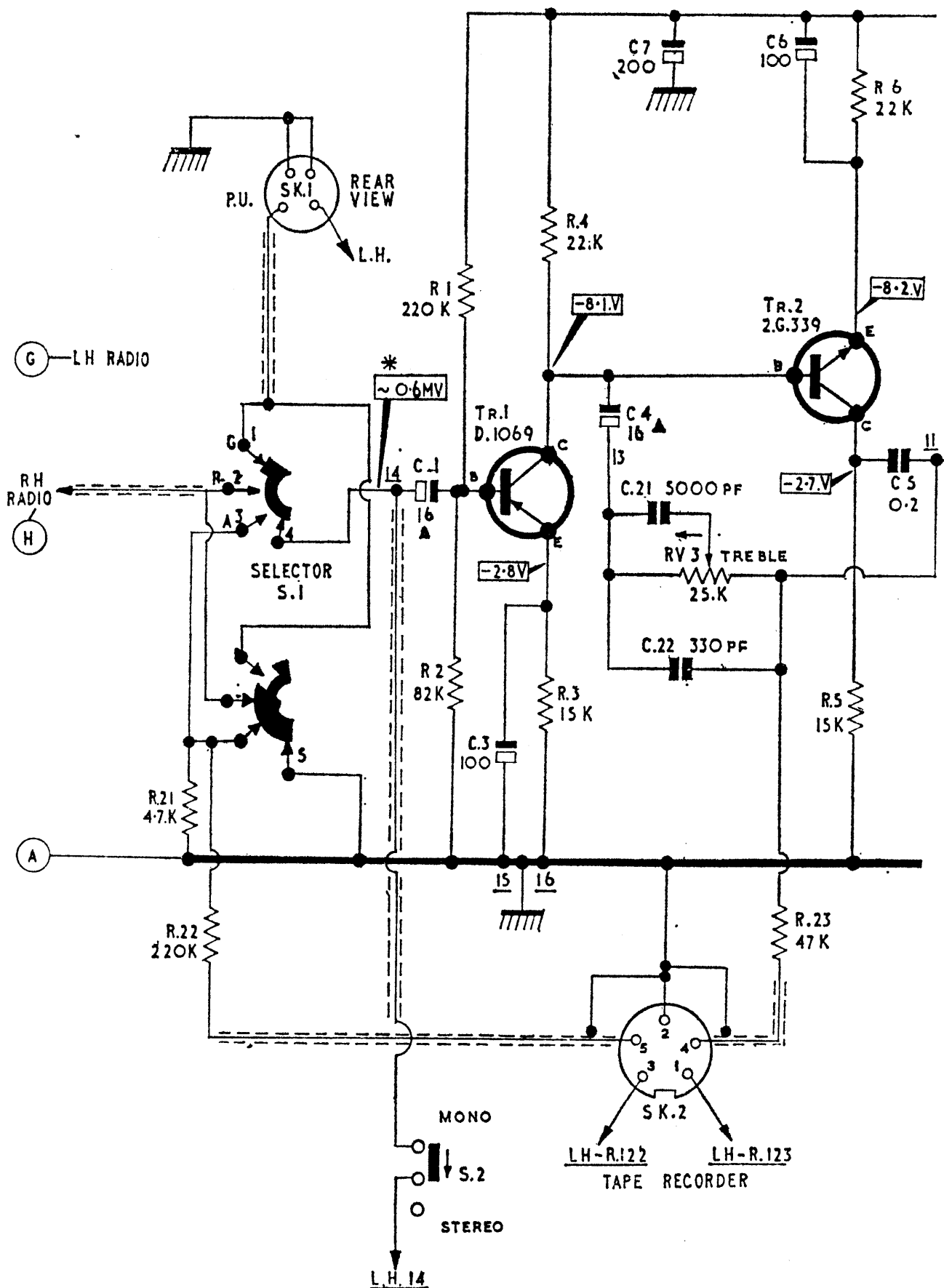
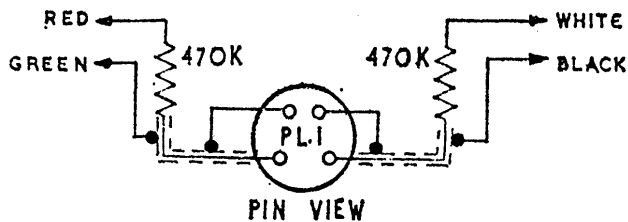
RADIO TUNER TYPE T65S



PRINTED CIRCUIT BOARD " B "

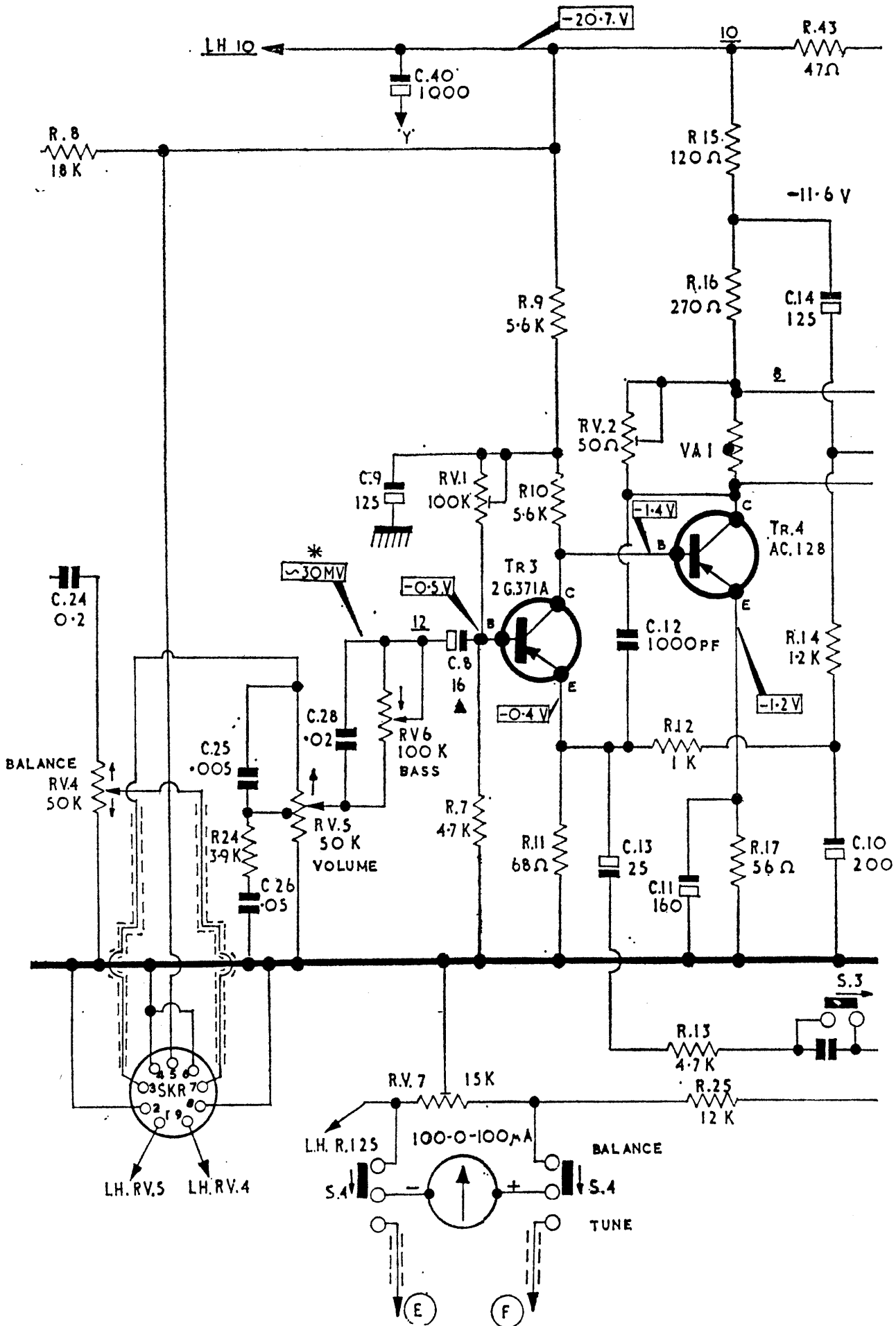


# RADIO SERVICING

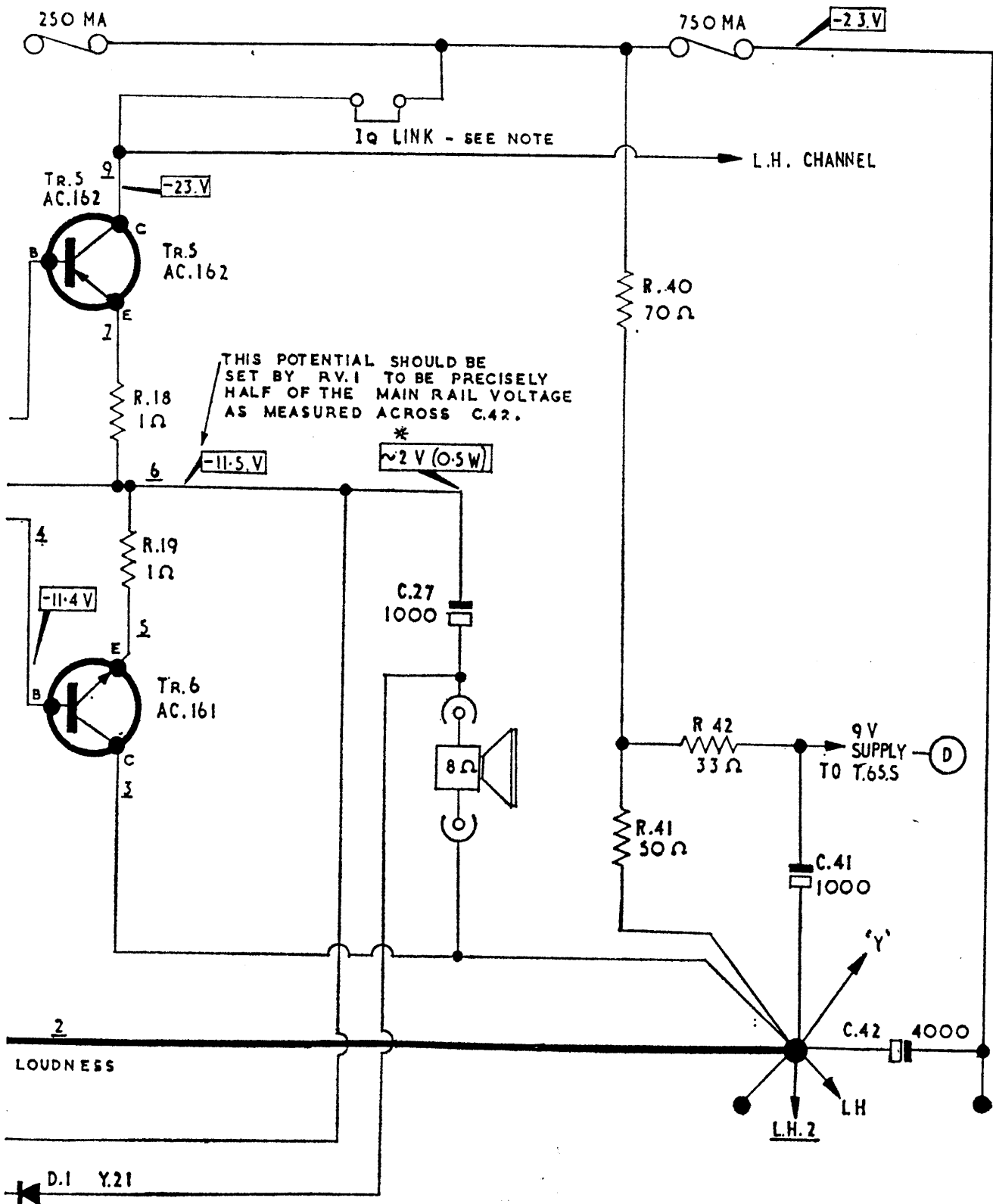


12/10 PRE-AMP. CIRCUIT (RIGHT-HAND CHANNEL)

# DYNATRON

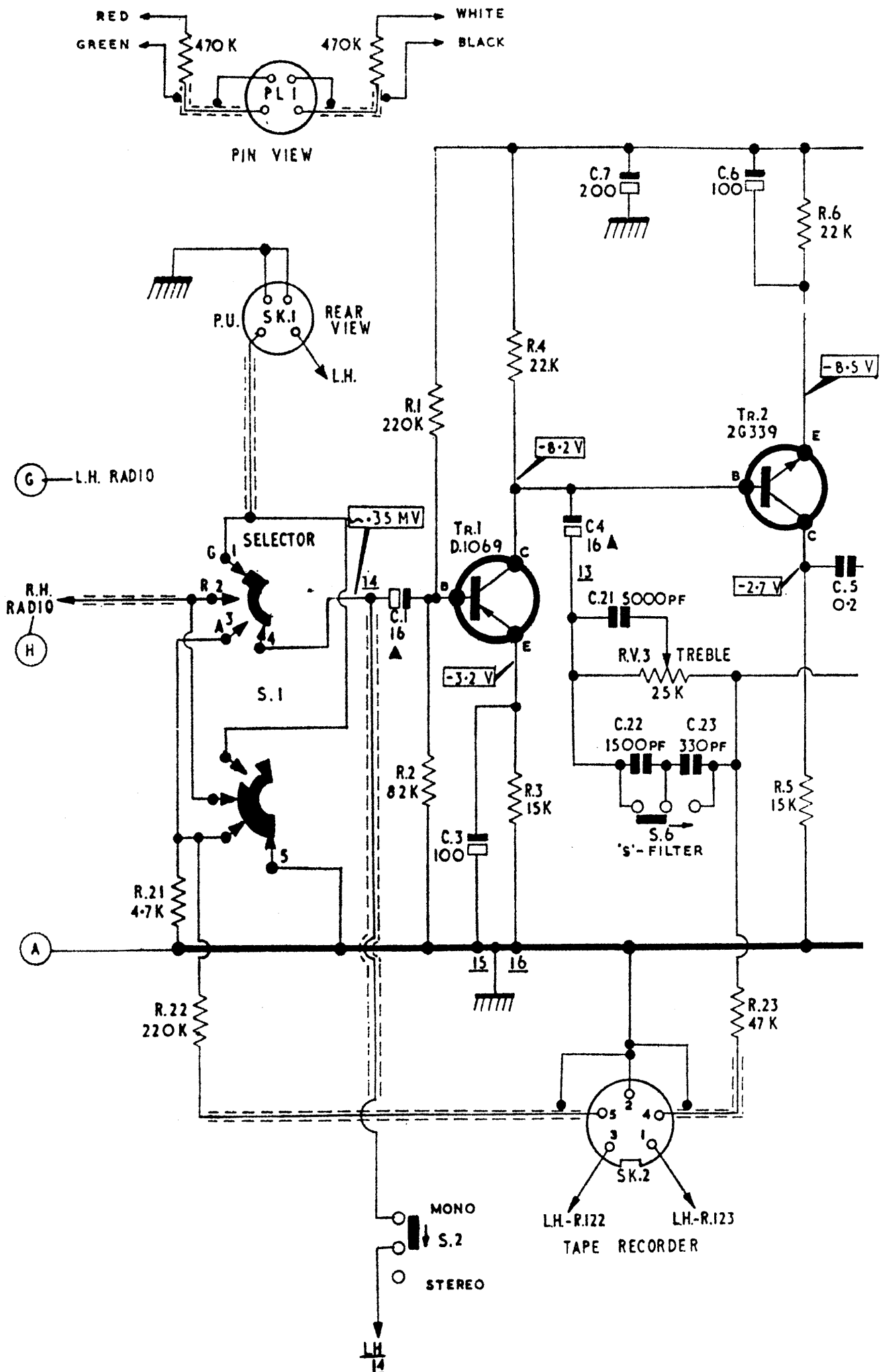


12/10 MAIN AMP. CIRCUIT (PART)—RIGHT-HAND CHANNEL

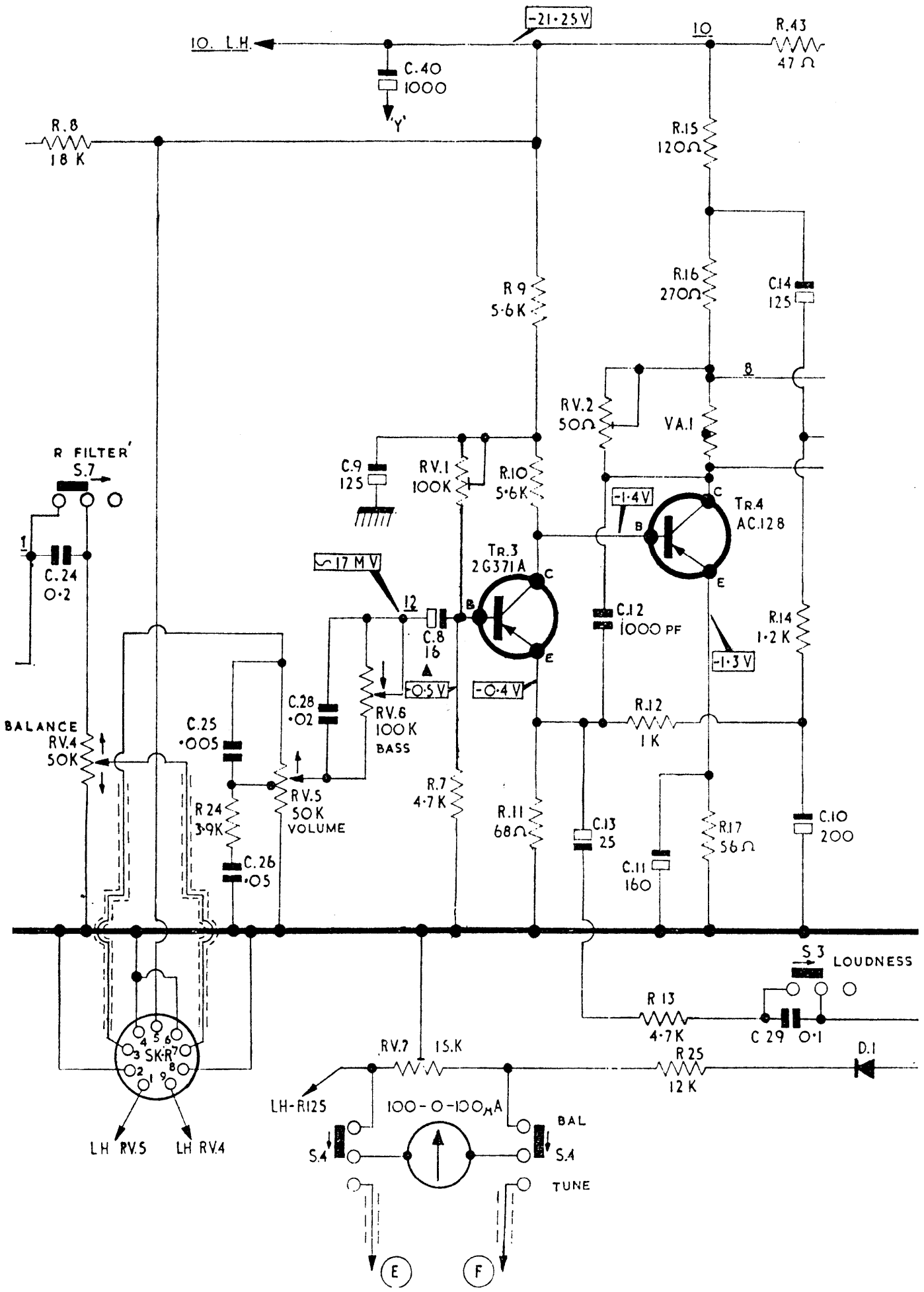


12/10 MAIN AMP. CIRCUIT (PART)—RIGHT-HAND CHANNEL

# DYNATRON



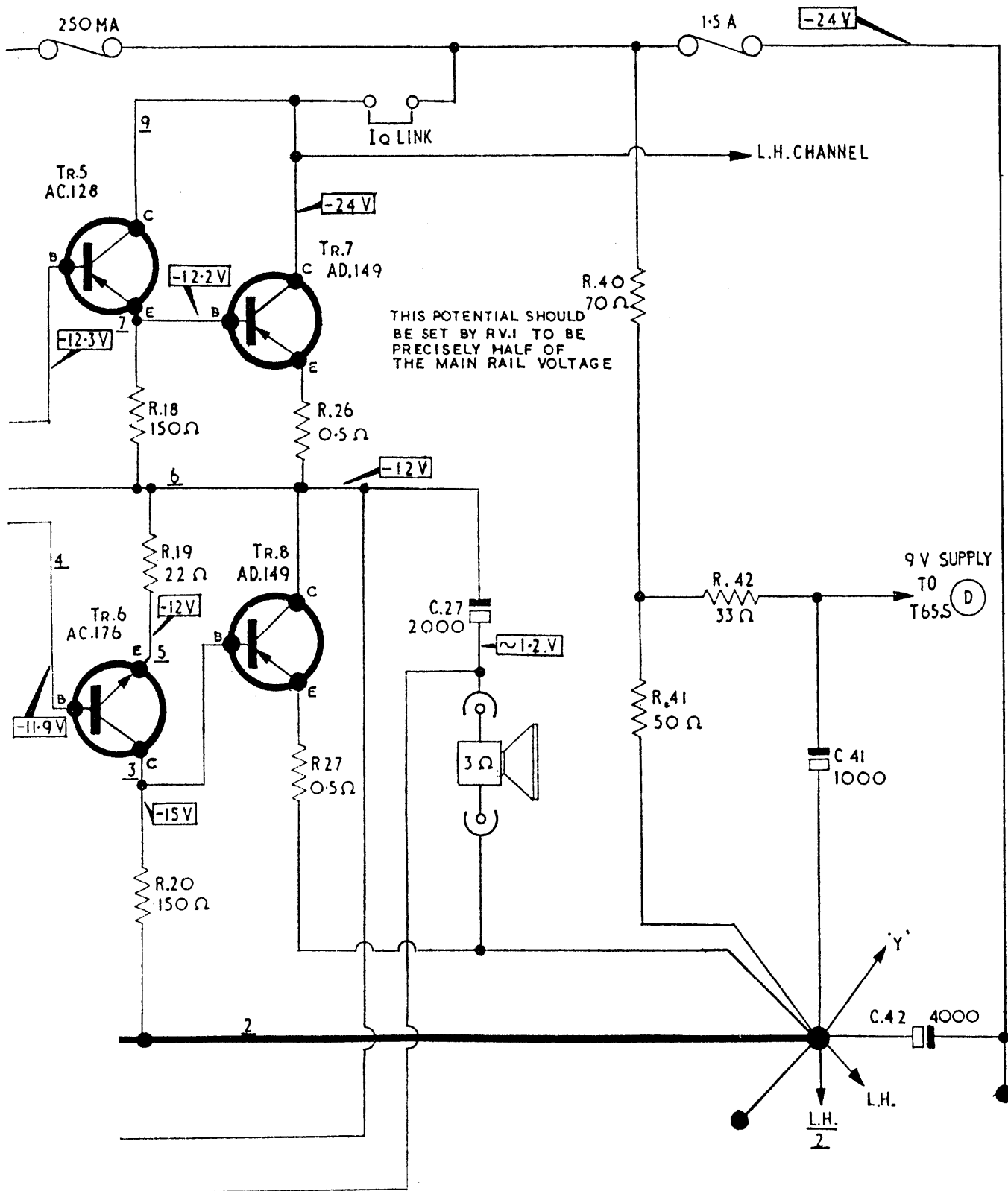
16/20 PRE-AMP. CIRCUIT (RIGHT-HAND CHANNEL)



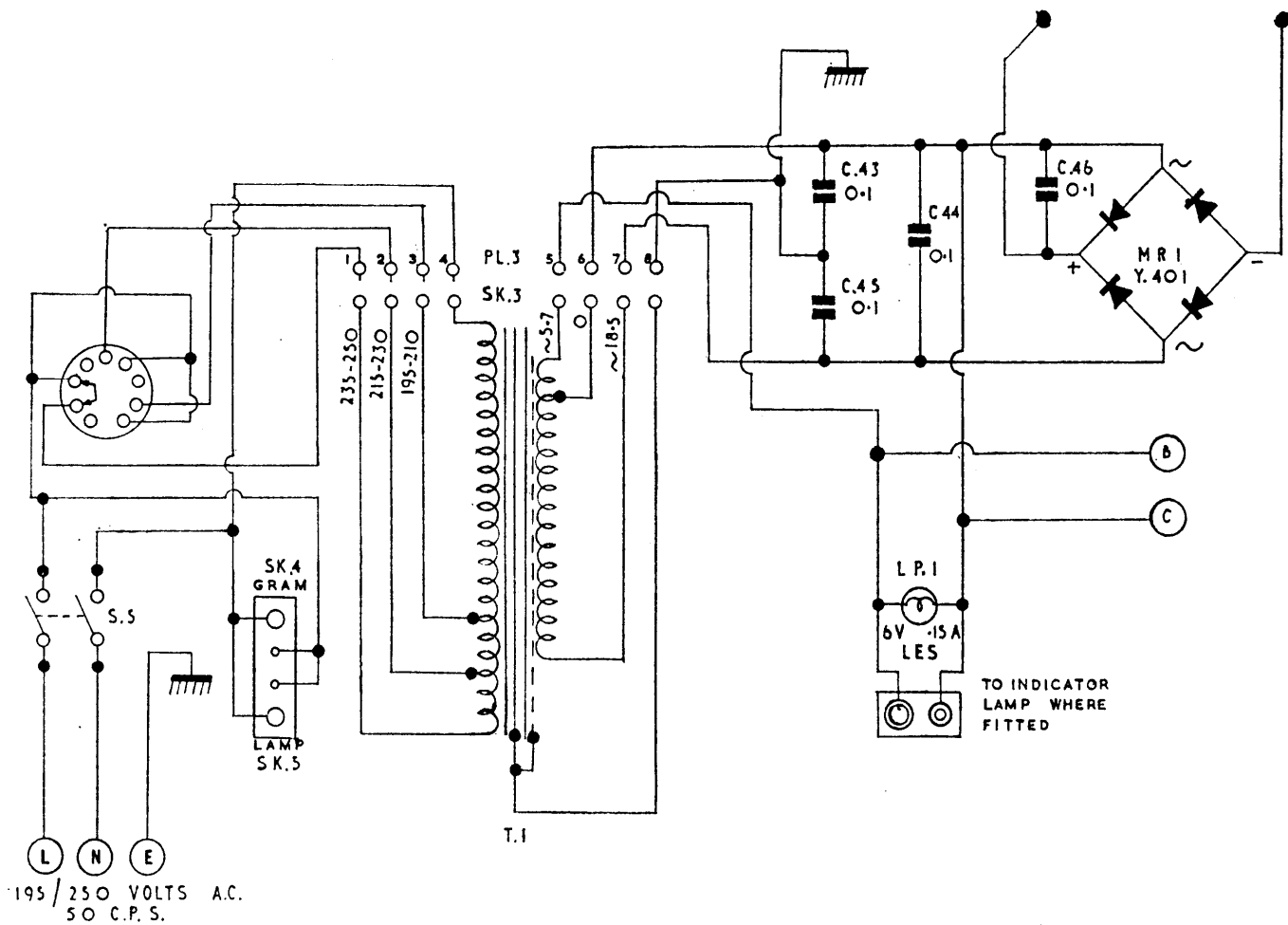
16/20 MAIN AMP. CIRCUIT (PART)—(RIGHT-HAND CHANNEL)



# DYNATRON



16/20 MAIN AMP. CIRCUIT (PART)—(RIGHT-HAND CHANNEL)



POWER SUPPLY—ALL MODELS