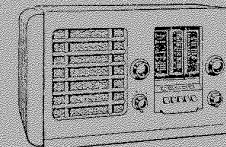


CONFIDENTIAL

This Service Data is for the information of Ekco Appointed Dealers only and must not be copied.

EKCO SERVICE DATA

MODEL U49



MODEL U49 is a 5-valve superheterodyne receiver covering the S.W., M.W., and L.W. bands for operation on either A.C. or D.C. mains. Television sound signals, within the accepted range, can be received at the H.F. end of the S.W. band.

Five Press-Buttons are incorporated to allow P.B. control of three M.W. and two L.W. stations. The four manual controls fitted are, Wavechange, Tone Tuning, Volume ON/OFF. Provision is made for the use of an external speaker.

MAINS SUPPLY: 200/250 v. R.M.S. 40/80 c.p.s. or 200/250 v. D.C.

CONSUMPTION: Approximately 270 m.a. (A.C.). 250 m.a. (D.C.).

- VALVES:**
- V1—CCH35 Frequency changer.
 - V2—EF39 I.F. Amplifier.
 - V3—EBC33 2nd det. A.V.C., L.F. Amplifier.
 - V4—CL33 L.F. power amplifier.
 - V5—CY31 Full wave rectifier.

All valves are Mullard and have international octal bases.

PILOT LAMPS: 12v. .2 amps.

FUSES: Mains—1 Amp. Rectifier—500 m.a.

INTERMEDIATE FREQUENCY: 460 Kc/s.

SPEECH COIL IMPEDANCE: 3 ohms at 400 c.p.s. The external speaker, if used, should have a similar impedance. An Ekco low impedance, Type ES31 is recommended.

The circuit and construction of Model U49 is basically the same as for Model A23, the necessary differences being for AC/DC operation. As in general practice, the PICK-UP circuits have been omitted and pilot lamp wiring modified to exclude switching.

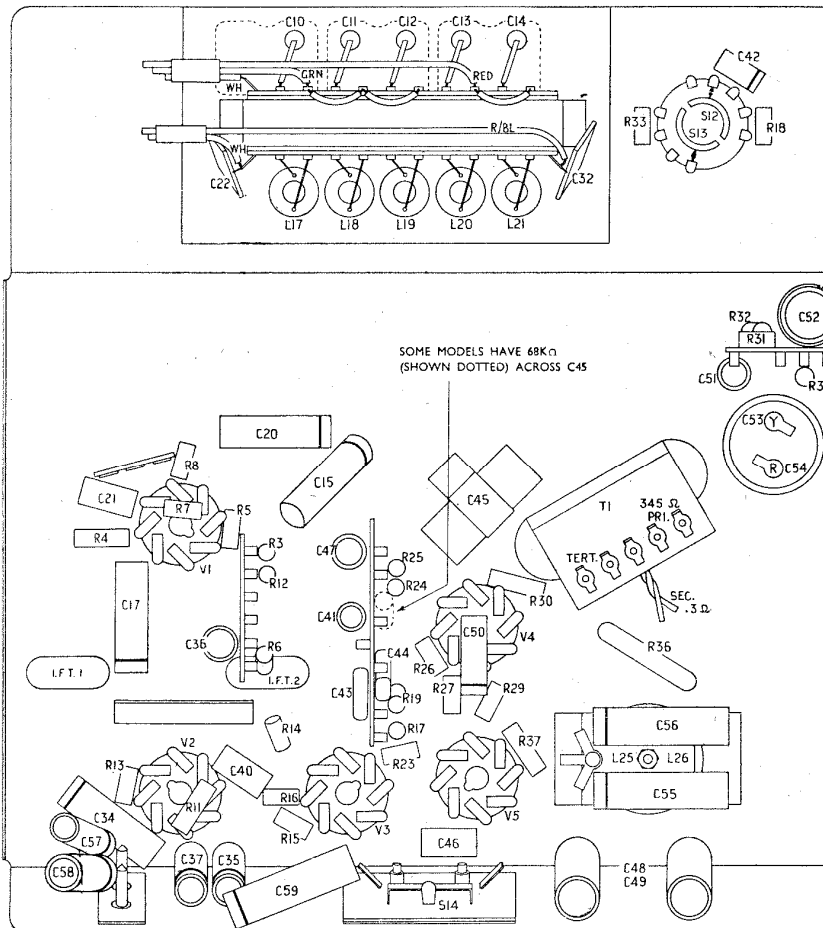
The use of an efficient "earth" is recommended, especially when an external L.S. is to be used.

For further technical and other information see Service Manual for Model A23.

WARNING. As the chassis is alive, great care must be taken in handling when back is off, or when chassis is removed from cabinet for test purposes. This particularly applies to sets working on A.C. mains or, in the case of D.C. mains, where the positive main is earthed. When working on A.C., it is necessary as an extra precaution, to insert the plug in the mains socket so that the chassis is at earth potential. Test by connecting a condenser of about .1 mfd. (250 volts A.C. working) in series with the earth lead and touch chassis with free end of condenser. If sparks occur, reverse the mains plug.

IMPORTANT. This test must NOT be carried out unless condenser is fixed as above, otherwise, should polarity of mains be such that chassis is alive, one of the filter coils will be burned out on touching chassis with earth wire.

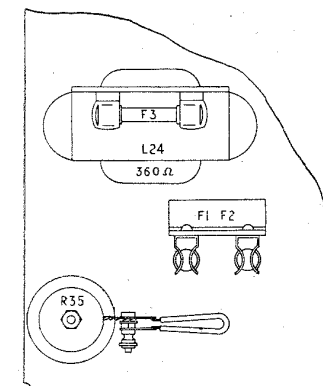
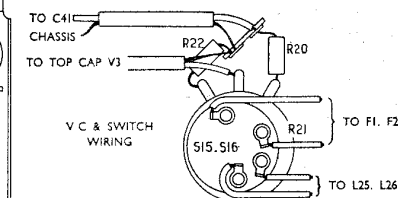
Do not forget (a) to replace back, (b) to fill grub screw holes on control knobs with wax after re-fitting.



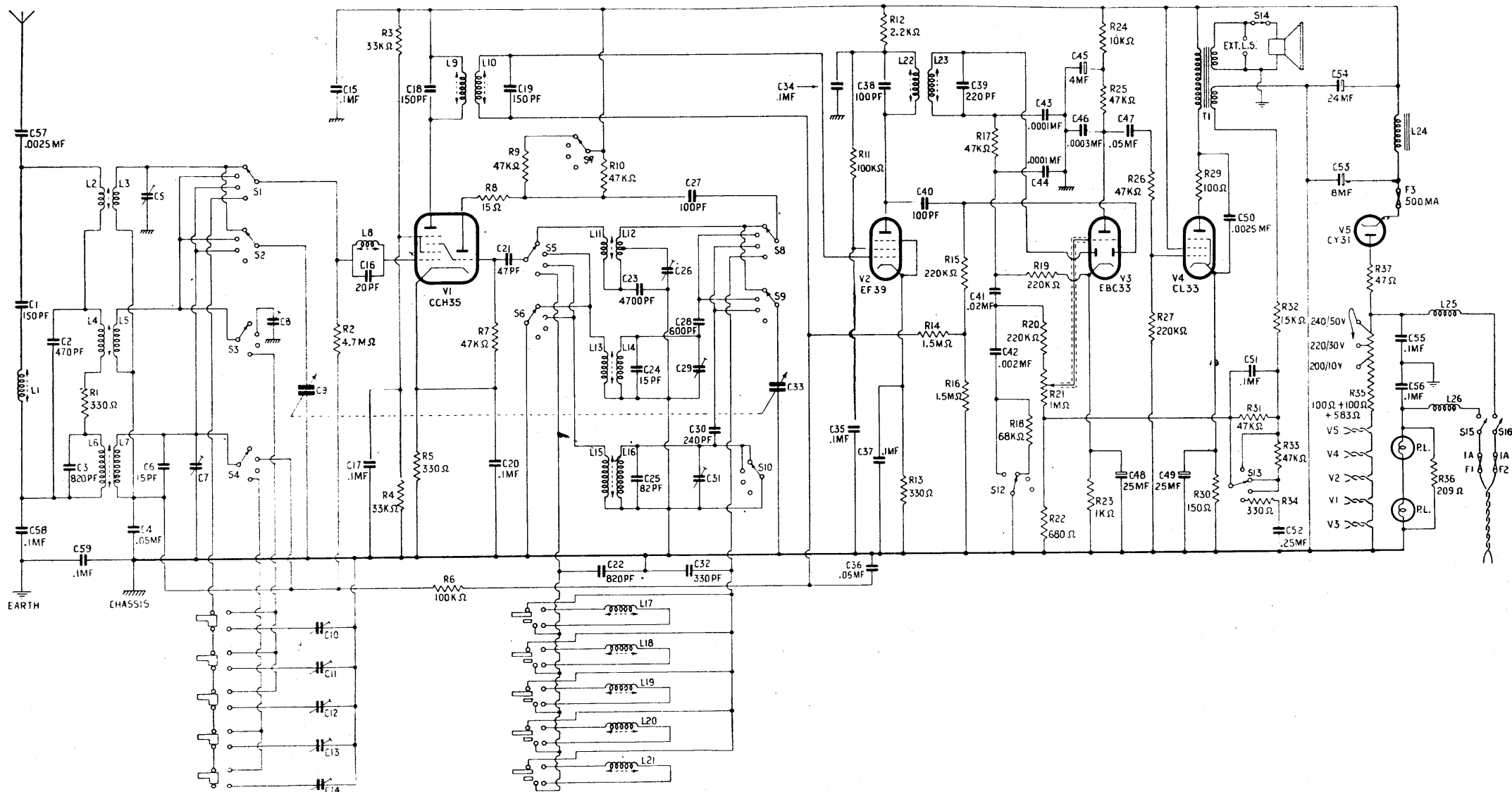
VOLTAGE & CURRENT DATA

VALVE	ANODE		SCREEN		CATHODE	
	VOLTS	M.A.	VOLTS	M.A.	VOLTS	M.A.
1 HEX	188	1.1	60	2.4	1.1	4.6
2 TRI	70	★ 1.1	—	—	—	—
3	175	3.3	41	1.2	1.4	4.5
4	75	1.6	—	—	1.6	1.6
5	175	40	188	3.3	7.1	43.3
5	200AC	70	—	—	207DC	54

★ INCREASED ON S.W. BAND



REAR RIGHT HAND CORNER OF CHASSIS TOP



SERVICE DEPT., E. K. COLE Ltd.,
 Somerton Works, Arterial Road,
 Southend-on-Sea
 'Phone: Southend 2296
 Head Office: Ekco Works, Southend-on-Sea

SCOTTISH SERVICE DEPOT:
 Ekco Works, Duchess Road,
 Rutherglen, Lanarkshire
 'Phone: Rutherglen 2240/3

NORTHERN SERVICE DEPOT:
 55, Whitworth Street,
 Manchester
 'Phone: Central 6711/2

WESTERN SERVICE DEPOT:
 14, Redcross Street,
 Bristol
 'Phone: Bristol 26311