

FERGUSON

“FLAMENCO”

Model 395G

General Description: Two-valve (including rectifier), record reproducer with B.S.R. record unit.

Power Supply: A.C. mains, 200–250 volts, about 30 watts.

Valves: (V1) UCL83; (V2) UY85.

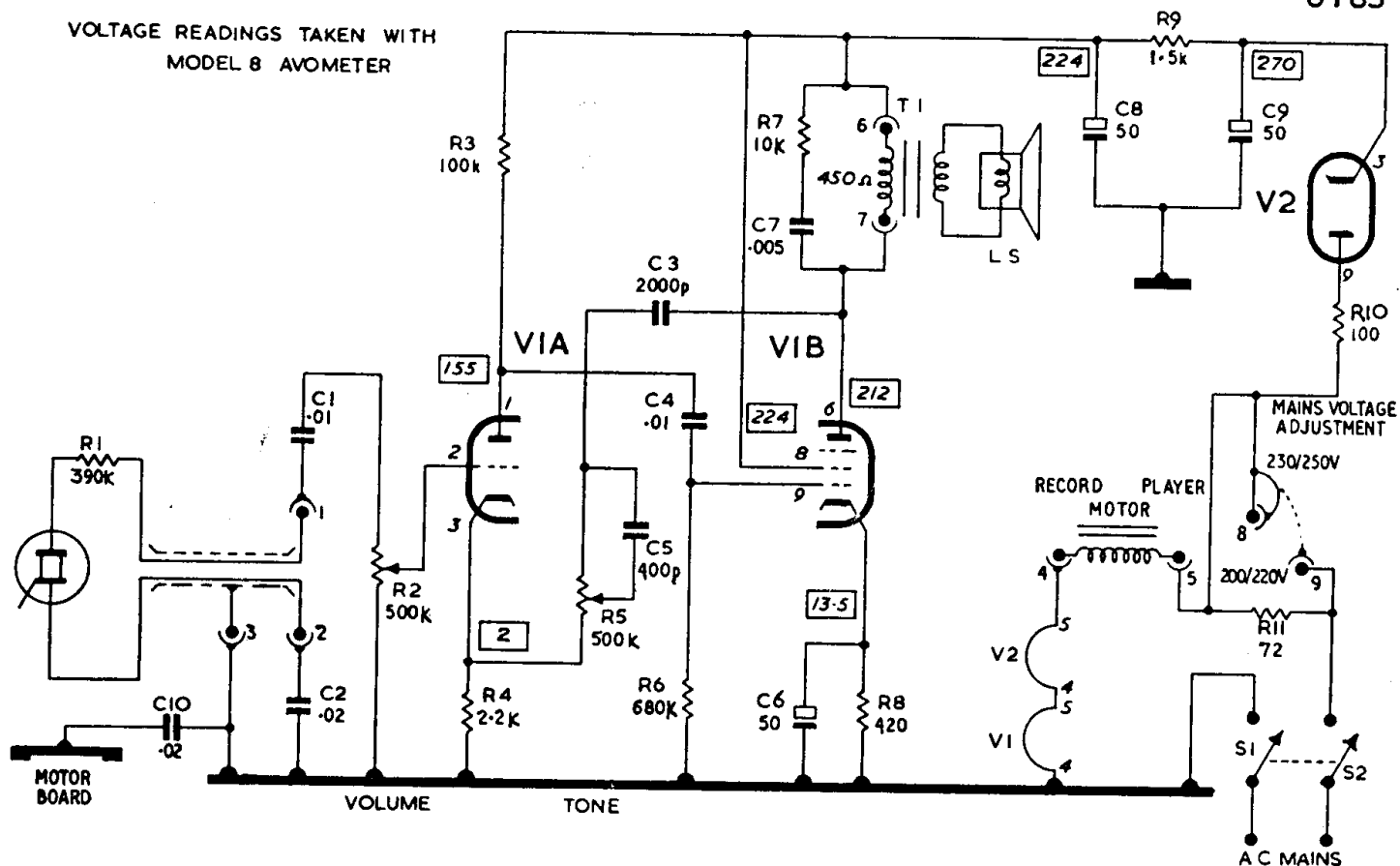
Component Notes: Record unit is a special Type UA8 non-interchangeable with standard model. R1, R8, R9, R10 10%. R11 5%. R9 1 W. R10 1/2 W. R11 2 W. C1, C2, C10 300 v. A.C. C6 25 v. C8, C9 275 v. Styli TC8R (LP), TC8G (78).

Chassis Removal: To remove motor board, withdraw screws at each side of board and, in addition two screws securing front ventilation panel, which may then be prised out. Lift up motor board and remove socket lead connectors from printed board. Motor board may then be lifted out of case. Amplifier unit is secured by wood-screw at each corner of panel.

UCL83

UY85

VOLTAGE READINGS TAKEN WITH
MODEL 8 AVOMETER



CIRCUIT DIAGRAM—FERGUSON “FLAMENCO” MODEL 395C