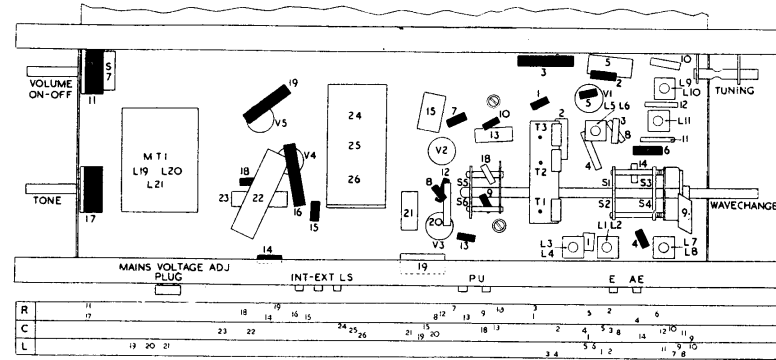
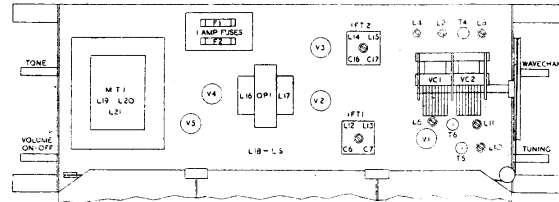
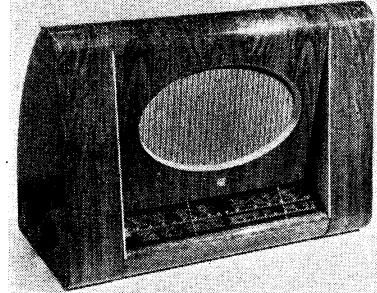
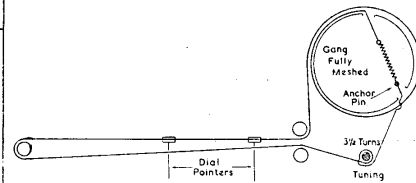


HMV 1122

Five-valve three-waveband superhet with internal plate aerial and sockets for external aerial, earth, high-resistance pickup and low-impedance extension speaker. Housed in walnut-finished table cabinet. Suitable for 195-255V 50-100c/s. Marketed by The Gramophone Co., Ltd., Hayes, Middlesex.



V1—X 78	V2—W 77	V3—DH 77	V4—N 78	V5—U 78	DIAL LAMPS
<p>H/k O.V. H 190V 2MA A 100V 4.5MA G1 G2 G4 70V 2.7MA Gt</p>	<p>H O.V. H 190V 7.3MA A 7.3MA G3 G1 G2 155V 2MA</p>	<p>H O.V. H 75V 1MA D G1</p>	<p>H 5.5V H 240V 24MA A 248V 4.3MA G3 G1</p>	<p>H 280V RMS H 305V 54MA A 280V RMS K</p>	<p>6.5V .3A</p>



INDUCTORS

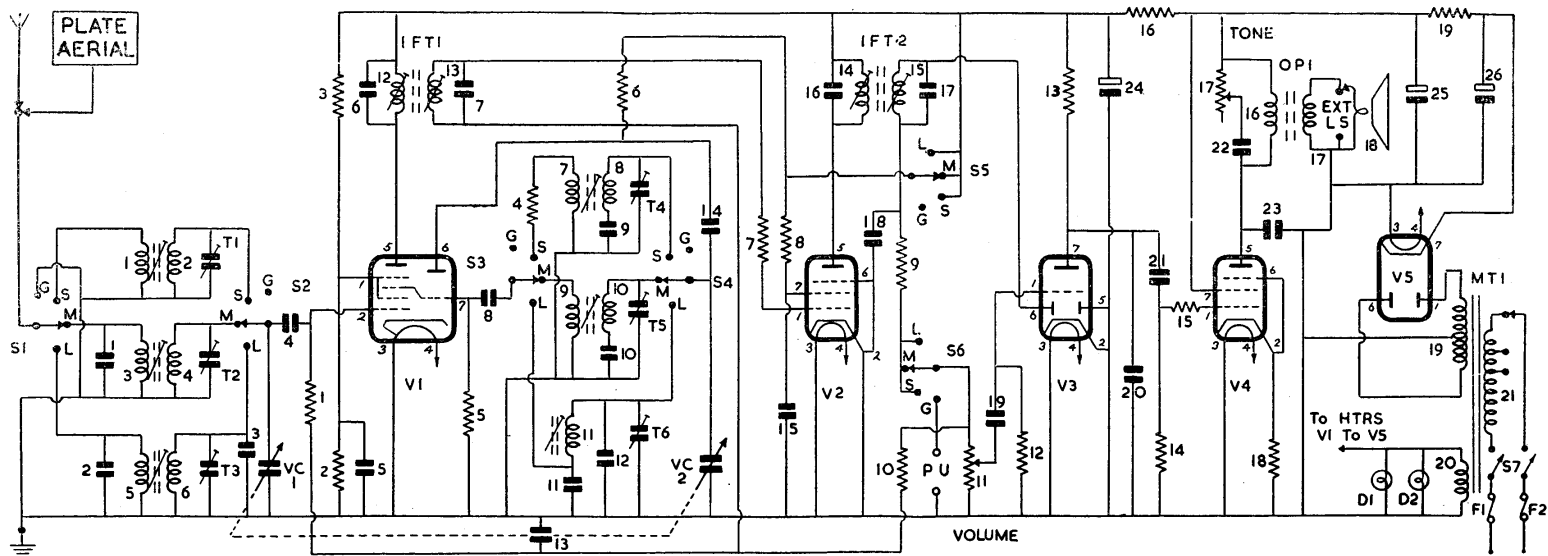
L	Ohms
125
2 ...	Very low
3 ...	30
4 ...	3.25
5 ...	62
6 ...	24
75
8 ...	Very low
9 ...	3.2
10 ...	3.75
11, 13-15 ...	7
12 ...	8.5
16 ...	300
177
18 ...	4
19 ...	800
20 ...	Very low
21 ...	52 Total

RESISTORS

R	Ohms	Watts
1 ...	470K	...
2 ...	12K	...
3 ...	15K	...
4 ...	100	...
5 ...	22K	...
6 ...	22K	...
7 ...	10K	...
8 ...	15K	...
9 ...	100K	...
10 ...	1.5M	...
11 ...	500K Potr. with DPST switch	...
12 ...	3.3M	...
13 ...	100K	...
14 ...	220K	...
15 ...	10K	...
16 ...	2k	WW 5W
17 ...	20K	Potr.
18 ...	200	...
19 ...	1K	WW 5W

CAPACITORS

C	Capacity	Type
1 ...	22pF Silver Mica	
2 ...	220pF Silver Mica	
3 ...	68pF Silver Mica	
4 ...	220pF Tub. Ceramic	
51 Tubular 350V	
6 ...	100pF Silver Mica	
7 ...	100pF Silver Mica	
8 ...	100pF Tub. Ceramic	
9 ...	3900pF Silver Mica	
10 ...	510pF Silver Mica	
11 ...	380pF Silver Mica	
12 ...	100pF Silver Mica	
13047 Tubular 350V	
14 ...	100pF Tub. Ceramic	
151 Tubular 350V	
16 ...	100pF Silver Mica	
17 ...	100pF Silver Mica	
18 ...	100pF Tub. Ceramic	
19047 Tubular 350V	
20 ...	220pF Silver Mica	
21047 Tubular 350V	
2205 Tub. 300V-AC	
23005 Tub. 300V-AC	
24 ...	16 Electrolytic 350V	
25 ...	32 Electrolytic 350V	
26 ...	32 Electrolytic 350V	



AERIAL.—Signal from the internal plate aerial or from an external aerial is switched by S1 to aerial coupling coils L1 (SW), L3 (MW), L5 (LW). The MW and LW coupling coils are of the high-impedance type and are shunted by C1, C2 respectively.

The grid coils L2 (SW), L4 (MW), L6 (LW), trimmed by T1, T2, T3—C3 respectively, are switched by S2 to aerial tuning capacitor VC1 and coupled by C4 to frequency-changer V1. Cathode is internally strapped to heater connection which is earthed to chassis.

AVC decoupled by R10, C13 is fed through R1 to grid of V1. Screen voltage is obtained from potential divider R2, R3 across HT line and decoupled by C5. Primary L12, C6 of IFT1 is in the hexode anode circuit.

On Gram position of S1, S2 aerial input is earthed to chassis and tuned circuits are disconnected from V1.

Oscillator is connected in a tuned-anode shunt-fed circuit. The anode coils L8 (SW), L10 (MW), L11 (LW), which are padded by C9, C10, C11 and trimmed by T4, T5, T6 respectively, are switched by S4 to oscillator tuning capacitor VC2 and coupled by C14 to oscillator anode of V1 of which R6 is the load resistor.

Grid reaction voltages are developed on L7 (SW), L9 (MW) and capacitively across padder C11 on LW and are switched by S3 through C8 to oscillator grid of V1. R4 is SW limiter resistor. Automatic bias for grid is developed on C8 with R5 as leak resistor.

On Gram position of S3, S4 grid and anode coils are switched out.

IF amplifier operates at 465kc/s. Secondary L13, C7 of IFT1 feeds signal, and AVC voltages decoupled by R10, C13 through stopper R7 to grid of IF amplifier V2. Cathode and suppressor are strapped and earthed to chassis. Screen voltage is obtained from R8 and decoupled by C15. Primary L14, C16 of IFT2 is in the anode circuit.

Signal rectifier.—Secondary L15, C17 of IFT2 feeds signal to one of diodes of V3. R11, the volume control, is the diode load and is switched into circuit on the three radio positions of S6. IF filtering is by R9, C18. Second diode is earthed to chassis.

AVC.—The DC component of the rectified signal across R11 is decoupled by R10, C13 and fed to V1, V2 for AVC.

Pickup sockets are fitted at rear of chassis for any high-resistance magnetic or crystal pickup. Pickup signal is switched by S6 in its GRAM position to volume control R11.

To prevent radio breakthrough aerial input is earthed and aerial and oscillator coils are switched out of circuit. In addition HT feed to oscillator anode V1 and screen of V2 is disconnected by S5.

AF amplifier.—C19 feeds signal from volume control R11 to grid of triode amplifier section of V3. Cathode being connected down to chassis, bias for grid is developed on C19 with R12 as leak. R13 is anode load and C20 anode RF bypass capacitor.

Output stage.—Signal at anode V3 is coupled by C21 to pentode output amplifier V4. R15 is grid stopper and R14 grid load. Cathode bias and negative feedback is provided by R18. Screen

voltage is obtained direct from HT line, decoupling being given by C25. Suppressor is externally connected to cathode.

Primary L16 of output matching transformer OP1 is in the anode circuit. C23 prevents rise in impedance of L16 at the higher frequencies, whilst R17 with C22 provides variable top-cut tone control. Secondary L17 feeds signal to a 10½-in. elliptical PM speaker L18.

Sockets are provided for connection of a low-impedance extension speaker and provision is made to disconnect internal speaker if desired.

HT is provided by an indirectly-heated full-wave rectifier V5. Its anode voltages are obtained from HT secondary L19 of mains input transformer MT1 and its heater current from LT secondary L20 in common with other valves. Resistance-capacity smoothing is given by R19, C25, C26. HT feed to V1 to V3 is further voltage dropped and smoothed by R16, C24. Reservoir smoothing capacitor C26 is rated to handle 100mA ripple current.

Heaters and dial lights are wired in parallel and obtain their current from secondary L20 of MT1. Primary L21 of MT1 is tapped for inputs of 195-215, 216-235, 236-255V 50 to 100 c/s AC.

S7, which is ganged to volume control spindle, is the ON/OFF switch.

TRIMMING INSTRUCTIONS

Apply signal as stated below	Tune receiver to	Trim in order stated for maximum output
(1) 465kc/s to g1 of V1 via .01mF	MW—Gang condenser at min. cap.	Cores L15, L14, L13, L12
(2) 6mc/s to AE socket via dummy aerial	50 metres	Core L7, L2.
(3) 17.8mc/s as above	16.8 metres	T4, T1, and repeat 2 and 3
(4) 588kc/s as above	510 metres	Core L9, L4
(5) 1.605mc/s as above	186.9 metres	T5
(6) 1.427mc/s as above	210 metres	T2. Repeat 4, 5 and 6
(7) 162kc/s as above	1,850 metres	Core L11, L6
(8) 300kc/s as above	1,000 metres	T6, T3

Faults in Prewar Ekco's

PREWAR Ekco sets, mains and battery: symptoms — inexplicable loss of signal strength although all components are in order.

Where these sets are fitted with IF transformers that are tuned with screw-in cores it is found that the trimming is very flat. There seems to be some effect due to age that causes these coils to lose their Q and the only remedy is to replace them.

I have found a similar effect in those sets that have bandpass aerial coils on waxed wood rods.

Another puzzling fault in old Ekcos is intermittent leakage in the various 140 pF condensers that are fitted in large numbers. This causes queer noises that are hard to pin down. When such a fault is encountered it pays to replace all these condensers.—S. L. H.

A STEADY STREAM OF SIXPENCES

Dear Mr. Dealer,
Our range and services are, as you know, second to none. Our representative also calls upon you regularly to ensure that you get from us what you want, when you want it.
Do you know that you can secure still further advantages for yourself by placing your Service Department's spare part business with us? Our Bonus Scheme which works on graded turnover will put a nice fat cheque into your banking account when the time comes!
Do drop us a line—we would like to send you our broadsheet giving full details of this Bonus Scheme.

**TO-DAY'S ORDERS DESPATCHED TO-DAY
KEENEST PRICES EVERY COMPONENT
GUARANTEED GENEROUS BONUS ON
TURNOVER SUPPLIES TO BONA-FIDE
DEALERS ONLY**

RadioSpares Ltd.

19-23 FITZROY STREET, LONDON, W.1. Telephone: MU5eath 9301/6
Telegrams: RADOSPERES, WESDO, LONDON. Cables: RADOSPERES, LONDON

