

1317

'ERT' SERVICE CHART

HMV 1426

SIX transistor portable table radio, released March, 1961, at 16gns.

Batteries. Drydex DT9, Ever Ready PP9, GEC BB29, Siemens TR9, Vidor T6009.

Consumption. 14mA with no signal; 50mA for 50mW output.

Wavebands. LW, 1111-2000m; MW, 188-588m.

Transistors. OC44, OC45 (2), OC81D, OC81 (2).

Diode. OA70.

IF. 470kc/s.

Output. 500mW.

Speaker. 4½in., 35ohm.

Aerial Internal ferrite rod aerial.

Manufacturer. British Radio Corporation, Ltd.

Service departments. Eleys Estate, Angel Road, London, N.18. 24 Sheepcote Street, Birmingham, 15. Derby Street, Cheetham, Manchester, 8. 160/162 Battlefield Road, Glasgow, S.2.

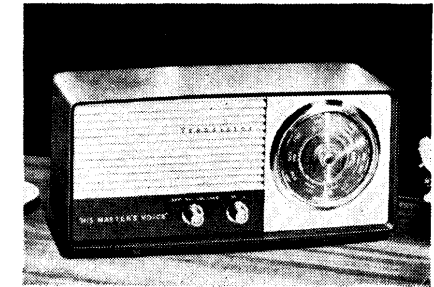
DISMANTLING

Chassis removal. Pull off the tuning dial,

then remove knobs by following method: push knob trim towards cabinet to give a gap between trim and knob boss, loop a piece of cord around knob boss and pull knob off its spindle.

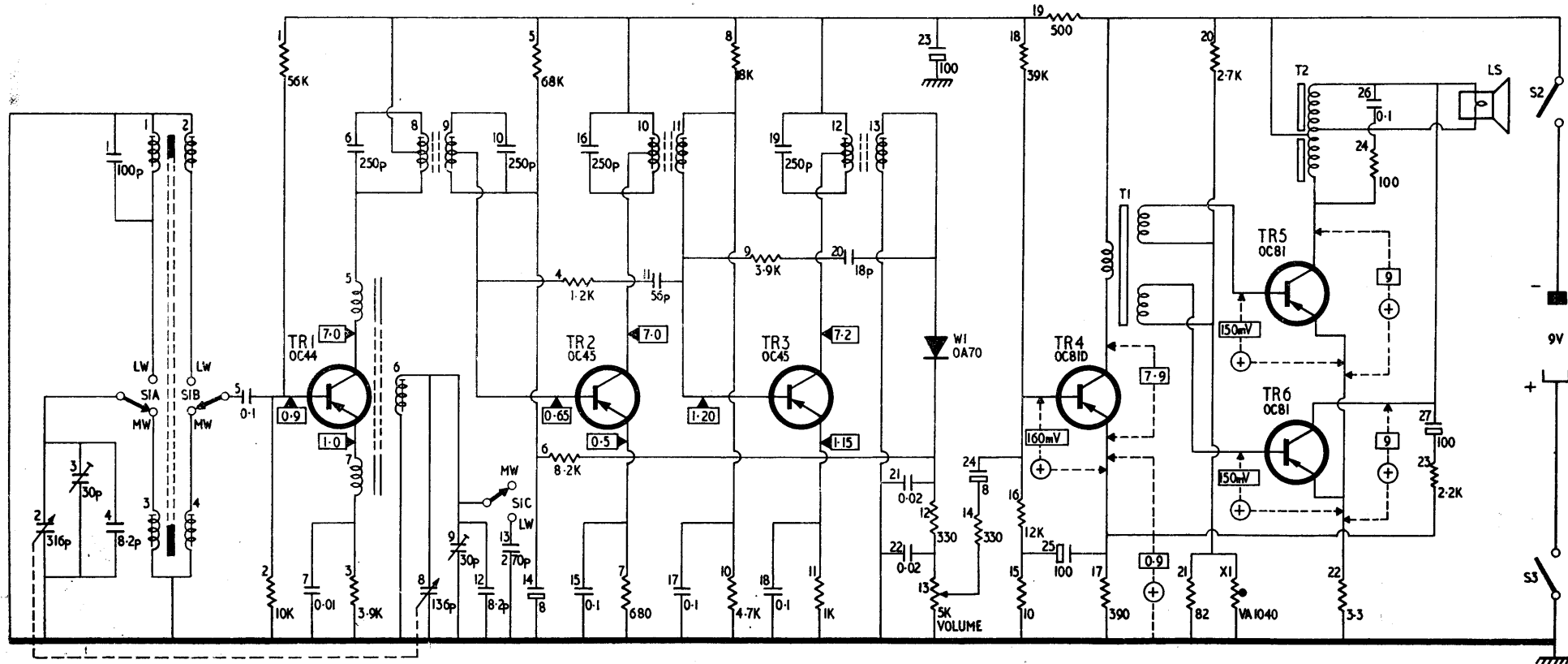
Remove cabinet back, then extract three chassis securing screws, one above and one below tuning gang and one at right-hand end of chassis metalwork. Withdraw chassis from cabinet.

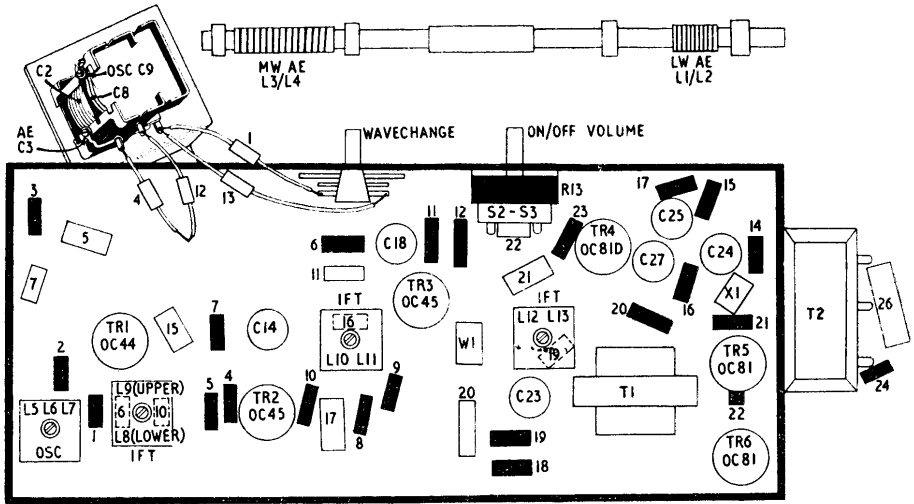
For complete removal, either unsolder aerial and speaker connecting leads or remove speaker



and ferrite rod by releasing their securing screws.

Continued overleaf





SERVICE NOTES

Voltages. Readings given on circuit are negative with respect to chassis unless otherwise marked, and only apply when the battery is supplying a full 9V. Use a 20K-per-volt meter.

Circuit differences. On some models the output transformer T2, together with R24 and C26, is mounted on the speaker.

Oscillator. When oscillator is functioning correctly the voltages at emitter and base of Tr1 should be as on the circuit, with emitter slightly more negative than base. If this situation is reversed, then failure to oscillate is indicated.

Output transistors. Tr5 and Tr6 are a matched pair, and if one is faulty both must be replaced by a new matched pair.

ALIGNMENT

Equipment required. Signal generator covering 200-1600kc/s with 30 per cent modulation. AF output meter. 0.1mF capacitor. Suitable trimming tool. Coupling loop.

Setting up. Connect output meter across speaker terminals and, in order to avoid errors due to AGC action, adjust input level throughout alignment to keep output below 5mW (0.4V in 30 ohms). Set volume control to maximum, switch to MW and turn tuning gang to minimum capacitance position.

Procedure, IF. Inject a 470kc/s modulated signal through a 0.1mF capacitor across aerial section of tuning gang. Adjust L12/13, L10/

11, L9/8, in that order, for maximum output. Repeat in same order until no further improvement is obtained.

Procedure, RF. Remain switched to MW, and inject signals via a loop loosely coupled to the ferrite rod aerial. Apply 1500kc/s modulated, set cursor to appropriate marked point on scale and trim C9 and C3. Change input to 600kc/s, set cursor to relevant padding mark and adjust L6 core, then L3 by sliding coil along ferrite rod. Repeat trimming and padding operations as necessary.

Switch to LW, inject 220kc/s, set cursor to equivalent LW trimming mark and adjust L1 by sliding along ferrite rod.

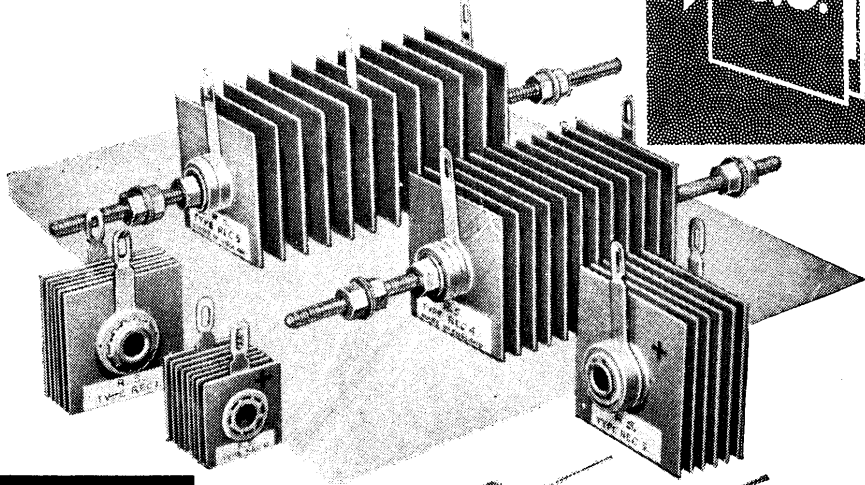
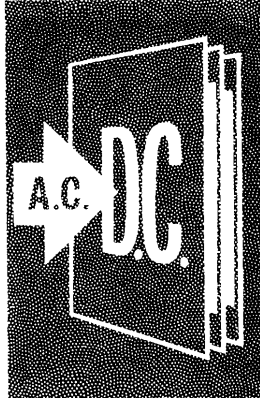
COMPONENT RATINGS

- Capacitors**
 500V: C11 20
 400V: C7
 150V: C5 15 17 18 21 22
 26
 120V: C4 12
 12V: C23 27
 6V: C14 24 25
 All others 350V wkg

Resistors
All 1/4W rating

- Inductors** ohms
 L1 ... 16
 L3 ... 2.6
 L6 ... 3.2
 L8/9 (each) ... 6.0
 L10 ... 3.7
 L12 ... 5.2
 T1 (prim) ... 200.0
 T2 (secs each) ... 40.0
 T2 (each half) ... 2.0
 All others less than 1.0ohm

RELIABLE RECTIFIERS



Order with confidence from our very large range

by RADIOSPARES

SELENIUM SILICON

LOW & HIGH VOLTAGE—LOW & MEDIUM CURRENT
We produce a vast range of other guaranteed components. "By Return" service. Catalogue and supplies to bona fide dealers only.

Radiospares Ltd.

4-8 MAPLE STREET · LONDON · W.1 · ENGLAND
Telephone: EUSton 7232 (8 lines)



TELEGRAMS: RADOSPERES, WESDO, LONDON CABLES: RADOSPERES, LONDON-W1