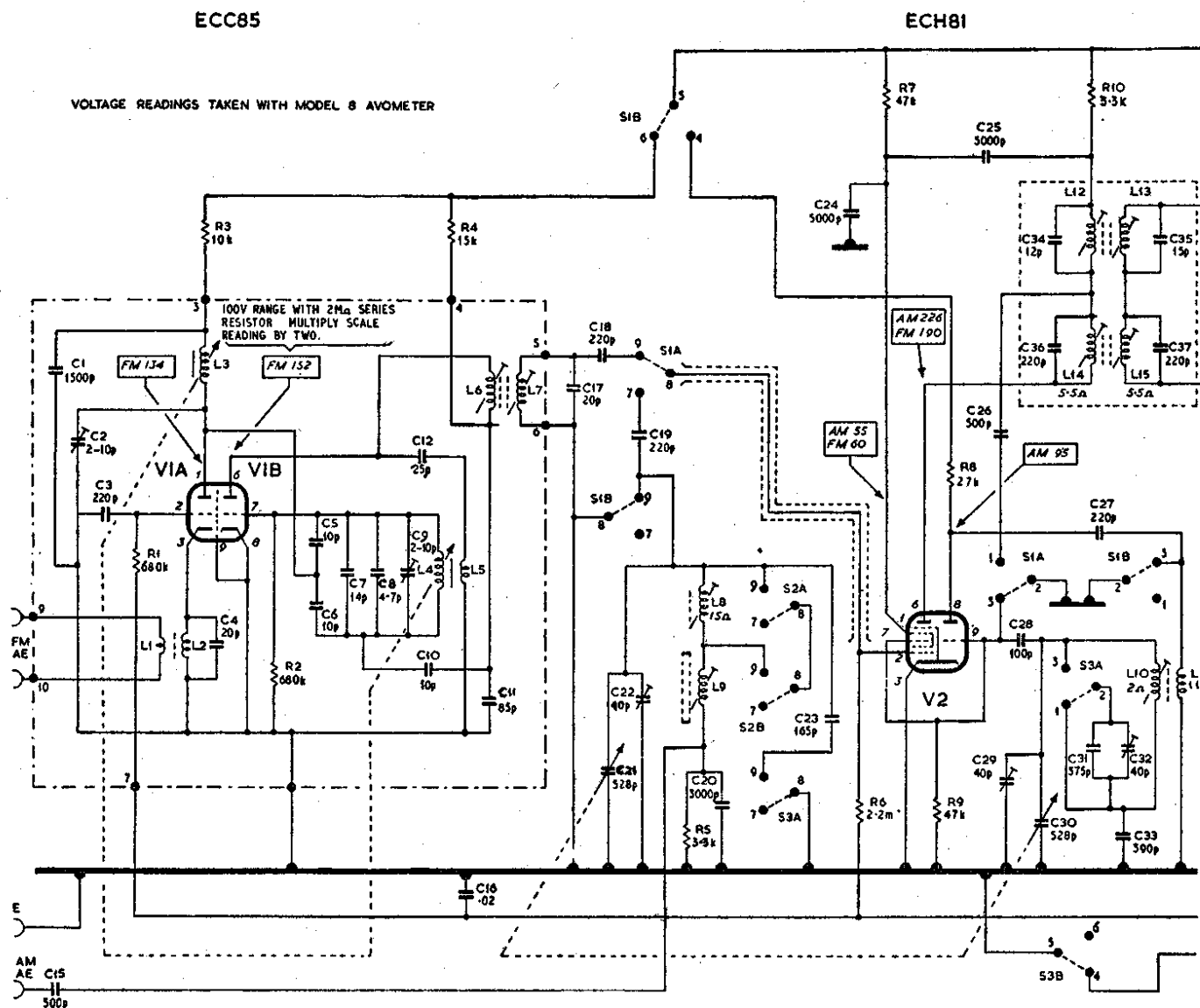


H.M.V.

Models 1138, 1633

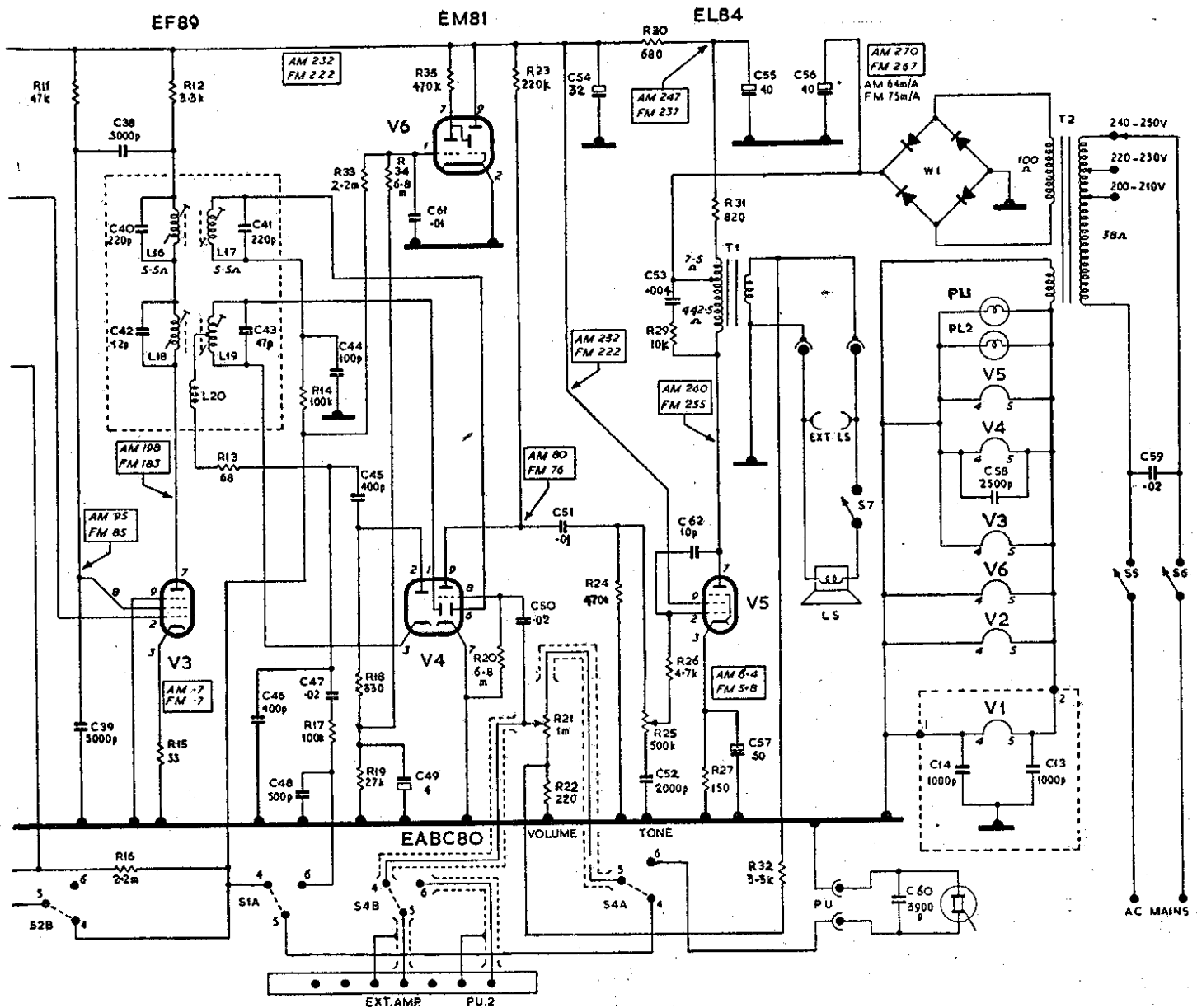


General Description: Model 1138 is a six-valve (including tuning indicator), three-waveband, A.M./F.M. table receiver. Model 1633 is an auto-radiogram using a similar chassis except for the omission of the tuning indicator and with provision for use with an external second-channel stereo amplifier. Record unit on Model 1633 is B.S.R. Monarch Type UA8 with TC8M crystal cartridge. These models use a chassis which is basically similar in lay-out, etc., to the A.C./D.C. Model 1373.

Power Supply: A.C. mains, 200-250 volts (motor pulleys available for 50 or 60 c/s.).

Wavebands: L.W. 1160-1940 m.; M.W. 188-545 m.; V.H.F. 88-101 Mc/s.

Valves: (V1) ECC85; (V2) ECH81; (V3) EF89; (V4) EABC80; (V5) EL84; Model 1138 (V6) EM81. Valve voltages shown on circuit diagram were measured with Avo Model 8 (20,000 ohms/volt) testmeter.



H.M.V. MODEL 1138

Capacitors.

- C1 1500 pF.
- C2 2-10 pF.
- C3 220 pF.
- C4 20 pF. (5%)
- C5 10 pF. (Proo)
- C6 10 pF. (Proo)
- C7 14 pF. (P100)
- C8 4.7 pF. (N750)
- C9 2-10 pF.
- C10 10 pF. (Proo)
- C11 85 pF. (2.5%)
- C12 25 pF. (5%)
- C13 1000 pF.
- C14 1000 pF.
- C15 500 pF.
- C16 0.02
- C17 20 pF. (5%)
- C18 220 pF.
- C19 220 pF.
- C20 3000 pF. (5%)
- C21 528 pF. (swing)
- C22 4-40 pF.
- C23 165 pF. (5%)
- C24 5000 pF.
- C25 5000 pF.
- C26 500 pF.
- C27 220 pF.
- C28 100 pF.
- C29 4-40 pF.
- C30 528 pF. (swing)
- C31 375 pF. (2%)
- C32 4-40 pF.
- C33 390 pF. (2%)
- C34 12 pF. (5%)
- C35 15 pF. (5%)
- C36 220 pF. (2%)
- C37 220 pF. (2%)
- C38 5000 pF.
- C39 5000 pF.
- C40 220 pF. (2%)
- C41 220 pF. (2%)
- C42 12 pF. (5%)
- C43 47 pF. (5%)
- C44 100 pF.
- C45 400 pF.
- C46 400 pF.
- C47 0.02
- C48 500 pF.
- C49 4 (El. 100 v.)
- C50 0.02
- C51 0.01
- C52 2000 pF.

- C53 0.004 (350 v. A.C.)
- C54 32 (El. 275 v.)
- C55 40 (El. 275 v.)
- C56 40 (El. 275 v.)
- C57 50 (El. 25 v.)
- C58 2500 pF.
- C59 0.02
- C60* 3900 pF.
- C61 10 pF. (5%)
- C62† 0.01 (5%)

* Model 1633 only.
† Model 1138 only.

Resistors.

- R1 680k
- R2 680k
- R3 10k (10%)
- R4 15k (10%)
- R5 3.3k
- R6 2.2M
- R7 47k (10%)
- R8 27k (10%)
- R9 47k (10%)
- R10 3.3k
- R11 47k (10%)
- R12 3.3k
- R13 68
- R14 100k
- R15 33
- R16 2.2M
- R17 100k
- R18 330 (10%)
- R19 27k (10%)
- R20 6.8M
- R21 1M (log)
- R22 220 (10%)
- R23 220k
- R24 470k
- R25 500k (log)
- R26 4.7k
- R27 150 (10%, 1/2 W.)
- R29 10k (10%)
- R30 680 (10%, 1/2 W.)
- R31 820 (10%, 1 W.)
- R32 3.3k
- R33† 2.2M
- R34† 6.8M
- R35† 470k