

# H.M.V.

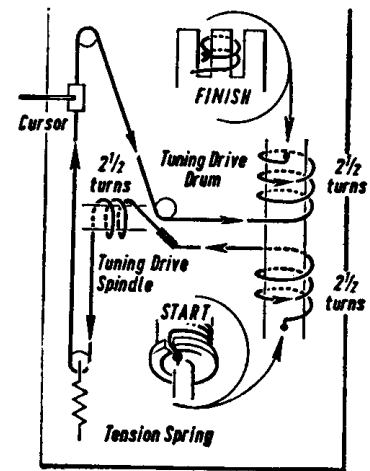
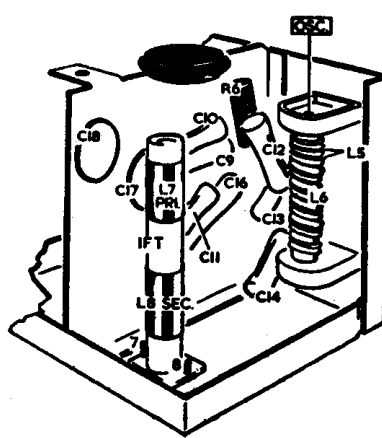
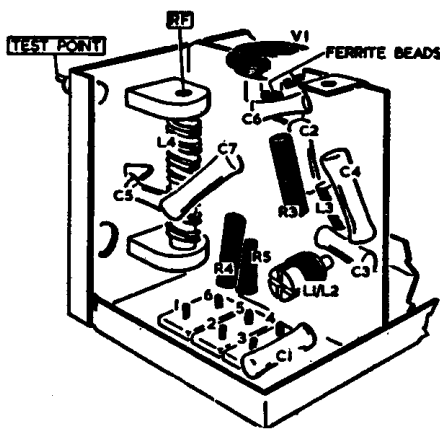
# Model 1375

**General Description:** Six-valve (including rectifier), V.H.F./F.M. only, small table receiver with elliptical 7-in. × 4-in. loudspeaker.

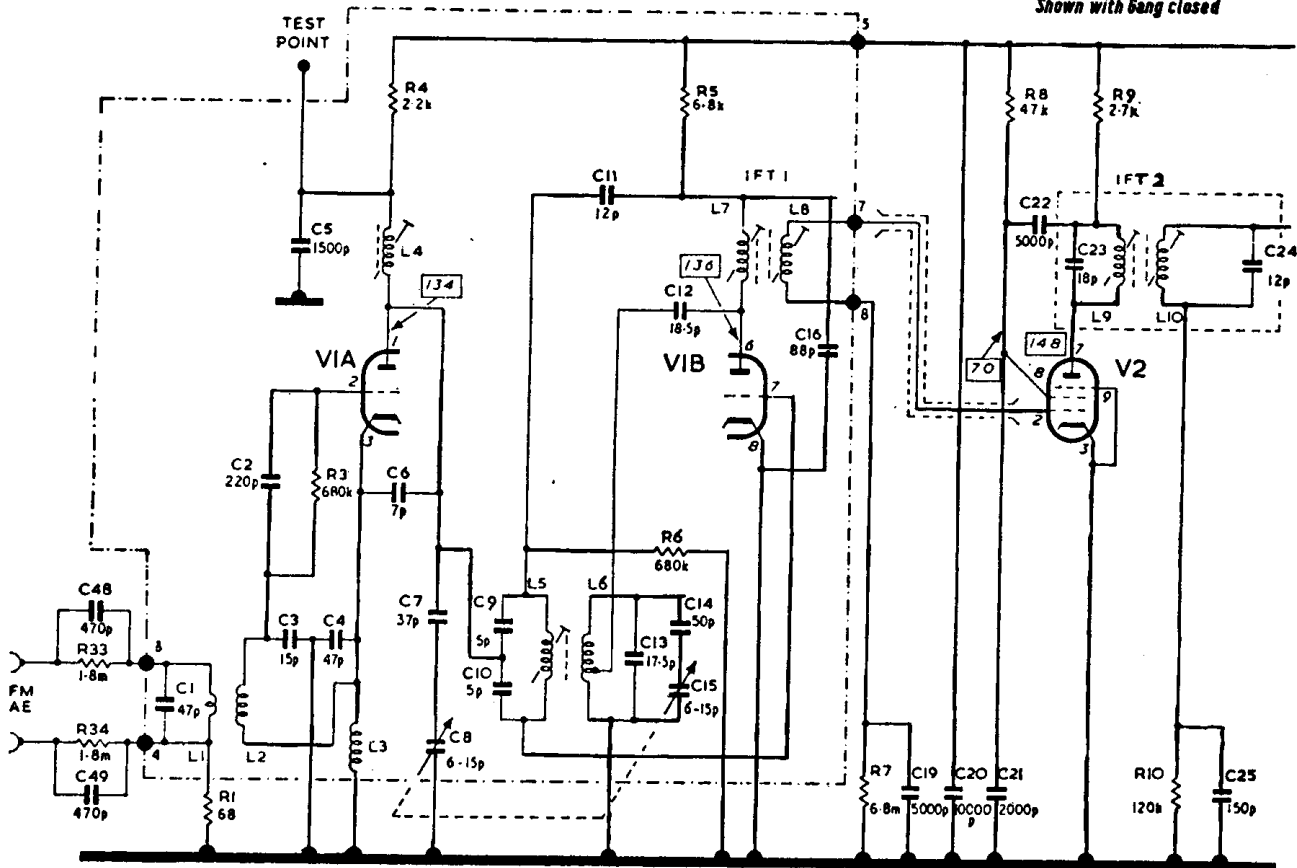
**Power Supply:** A.C./D.C. mains, 200-250 volts (A.C. 50-60 c/s.). Consumption about 45 watts.

**Waveband:** V.H.F. 87.5-100.5 Mc/s. (I.F. 10.7 Mc/s.).

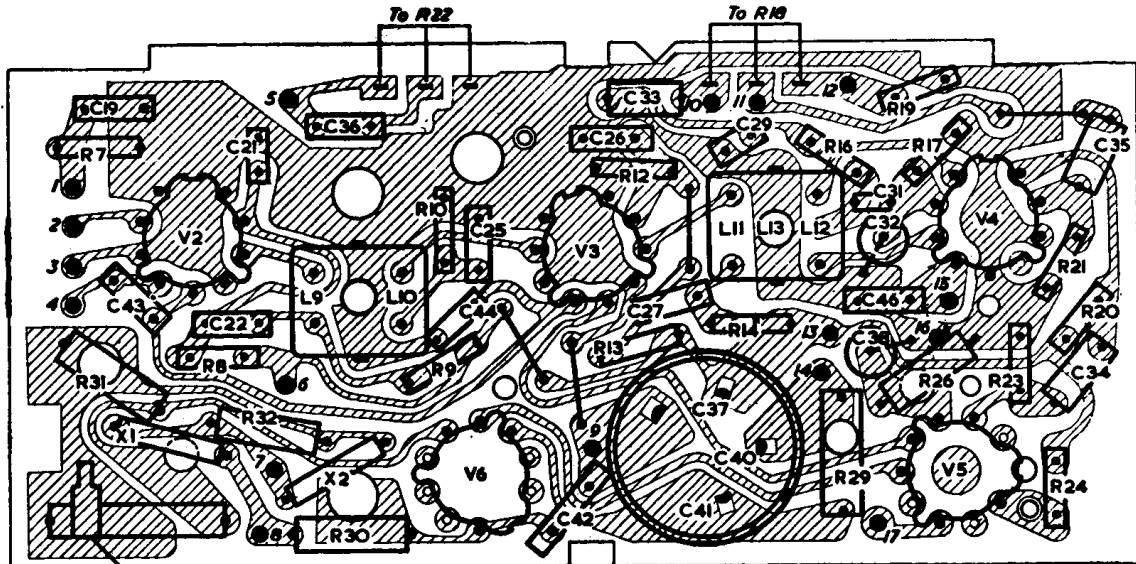
**Valves:** (V1) UCC85; (V2) UF89; (V3) UF80; (V4) UABC80; (V5) UL84; (V6) UY85. Pilot lamp 12.6 volts, 0.1 amp.



DIAGRAMMATIC ONLY  
Shown with bang closed



CIRCUIT DIAGRAM—



MAINS VOLTAGE ADJUSTMENT

PRINTED WIRING BOARD LAY-OUT

**Service Notes:** To remove chassis: pull off control knobs and detach rear panel. Remove moulded escutcheon secured by two screws, and withdraw cursor (push fit). Take off aerial socket panel and remove two screws securing rear edge of chassis, which may then be carefully withdrawn. For tuning drive allow approximately 4 ft. of nylon braided cord. Tie knot at one end and arrange as shown. X1, X2 Varistor Type VA1010. R26, R27, R32 ½ watt. R30, R31 3 watts (5 per cent.). R29 6 watts (10 per cent.). C42 350 volts A.C. C48, C49 1750 volts. C11, C16 2½ per cent. C1, C3, C4, C7, C14, 5 per cent. R18, R22 log.

