

H.M.V.**Model 1626**

General Description: Nine-valve (including rectifier and tuning indicator), five-waveband (including V.H.F.), console auto-radiogramophone with push-pull output, four loudspeakers and independent treble and bass tone controls.

Power Supply: A.C. mains, 195-255 volts, 50 c/s. Consumption 100 watts.

Wavebands: L.W. 900-2000 m.; M.W. 187.5-574.6 m.; S.W.1 51.7-185 m.; S.W.2 16.3-51.7 m.; F.M. 87.5-100 Mc/s.

Valve Analysis: Measurements made with a 20,000-ohms/volt testmeter. Variations of ± 15 per cent may be anticipated.

Valve	Receiver on F.M.			Receiver on A.M.		
	Anode, volts	Screen, volts	Cathode, volts	Anode, volts	Screen, volts	Cathode, volts
V1A ECC85 .	97	—	0.73	—	—	—
V1B ECC85 .	191	—	0	—	—	—
V2 ECH81 .	194	88	1.9	224	86	2.4
(triode)	—	—	—	89	—	2.4
V3 EF89 .	165	66	0			
V4 EABC80 .	98	—	0			
V5 EM34 * .	41 (3)	26 (6)	245 (5)			
V6A ECC85 .	142	—	1.2			
V6B ECC85 .	142	—	1.2			
V7 EL84 .	290	293	10.7			
V8 EL84 .	290	293	10.7			
V9 EZ81 * .	300 A.C. (7)	300 A.C. (1)	333 (3)			

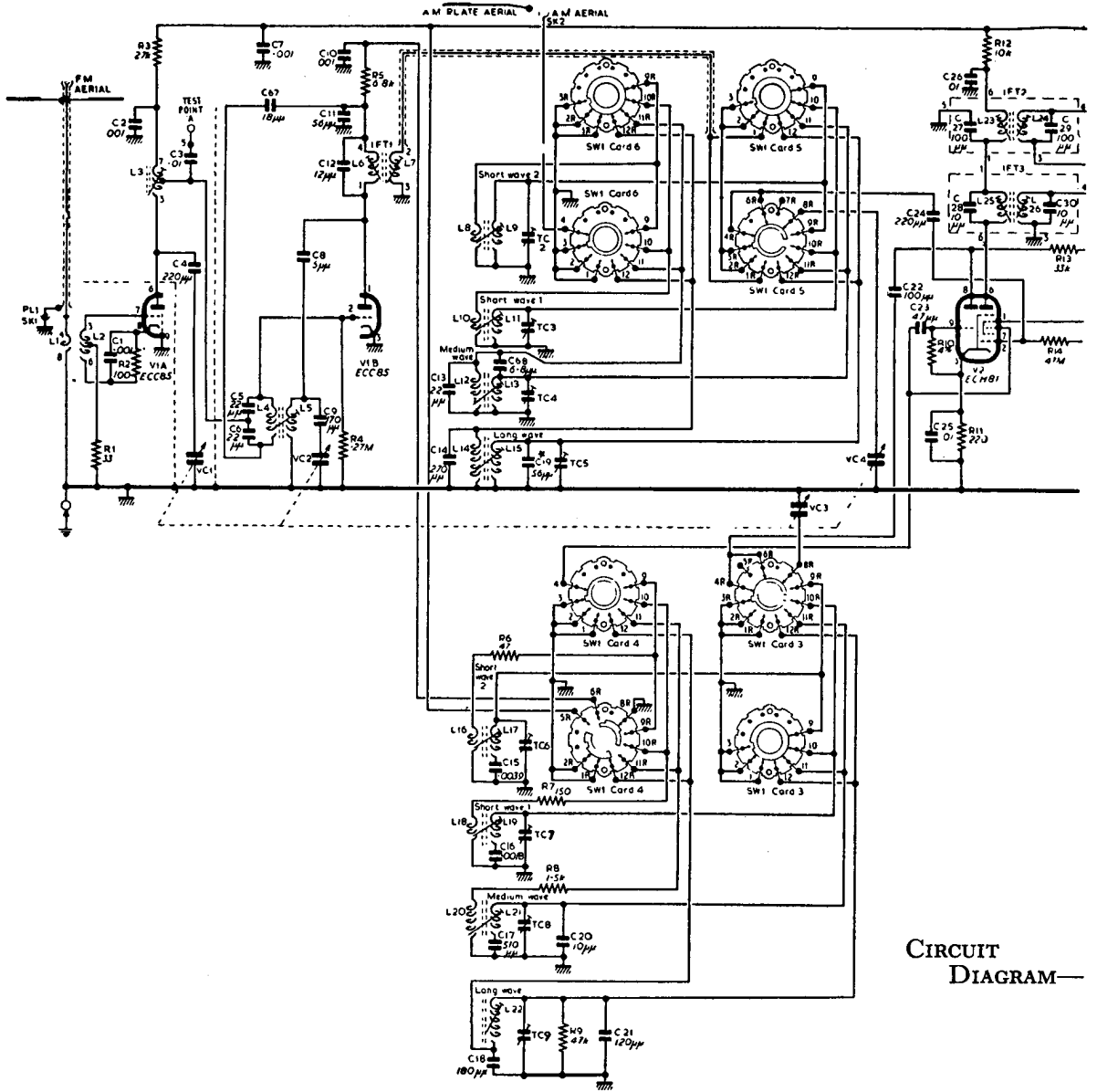
* Voltages refer to pin numbers.

Pilot Lamps: LP1-3, 6.8 volts, 0.3 amp.; LP4 230 volts, 15-watt bayonet cap.

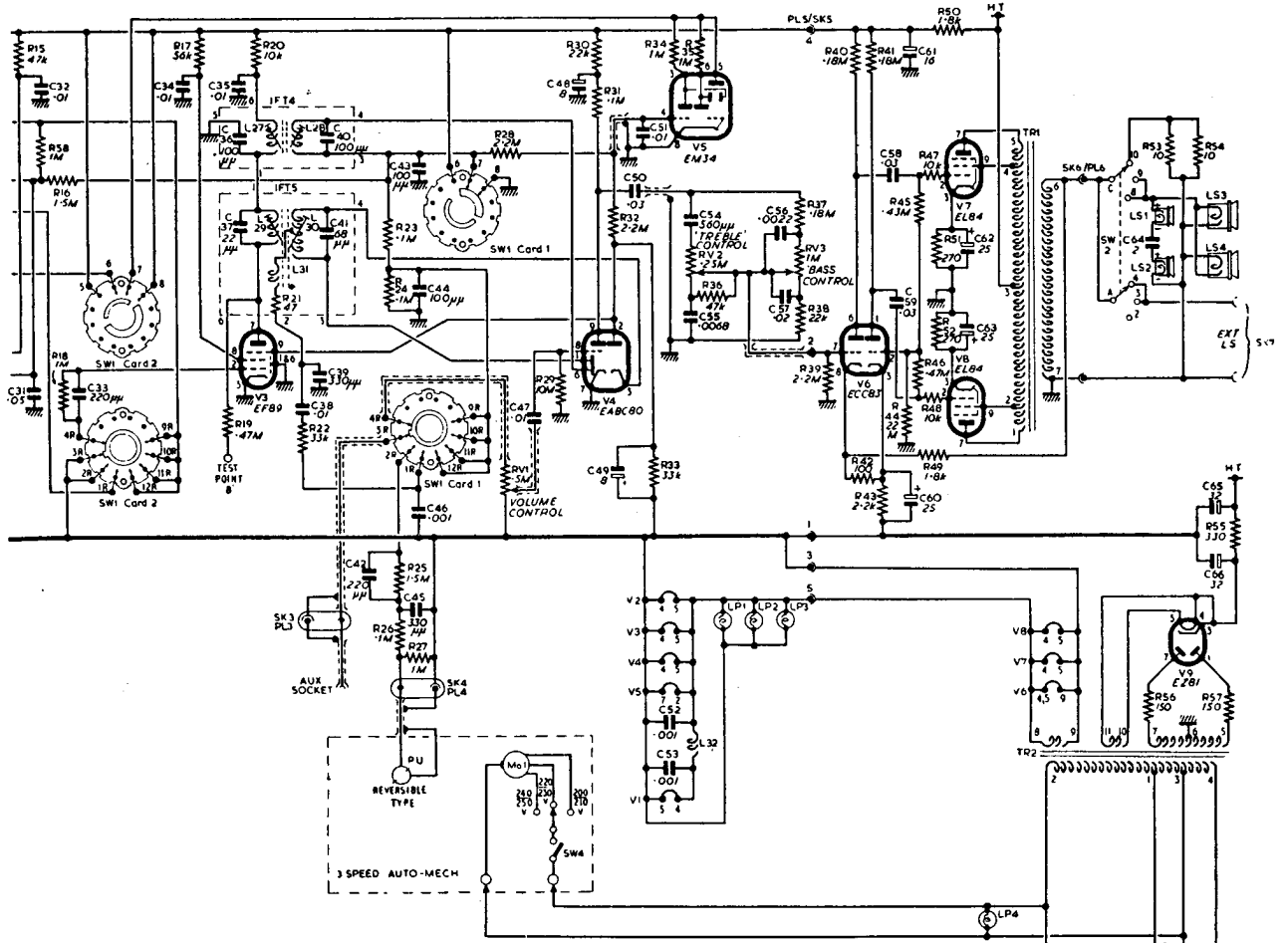
Loudspeakers: LS1-2, 2½-in. dynamic tweeters; LS3-4 10½-in.; elliptical loudspeakers, matched for resonance.

Record Unit: Three-speed auto-mechanism, Type 48540S.

Pick-up: High-impedance crystal reversible type. Styli Types RS3 standard and RS3 microgroove.



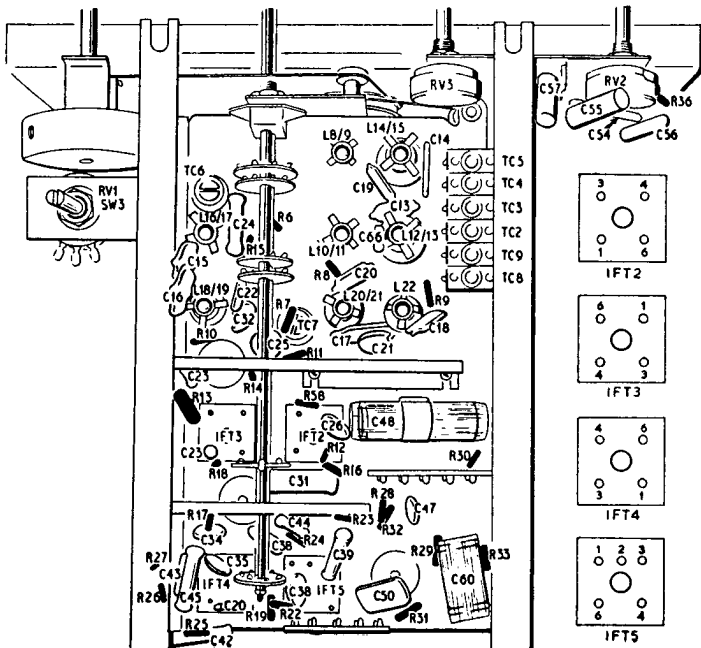
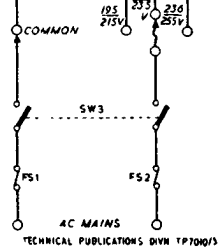
CIRCUIT
DIAGRAM—



H.M.V. MODEL 1626

NOTE
 SW1 VIEWED FROM REAR WITH KNOB IN MAX ANTI-CLOCKWISE
 "AUX" POSITION TAG SUFFIX "R" DENOTES TAGS MOUNTED ON
 REAR OF CARD
 POTENTIOMETERS SHOWN WITH KNOB IN MAX ANTI-CLOCKWISE
 POSITION
 NUMBERS ADJACENT TO VALVE ELECTRODE CONNECTIONS REFER TO
 VALVE BASE PINS
 ALL METALLISED SCREENING CONNECTED TO CHASSIS

* 50µ ON EARLIER MODELS



UNDER CHASSIS VIEW OF R.F.
 UNIT—MODEL 1626