

Marconiphone

SERVICE DATA



REGISTERED TRADEMARK OF
THE MARCONIPHONE CO. LTD.

"Marconiphone" products are made to a standard of design and quality approved by The Marconiphone Company Limited, registered proprietor of the trade mark

ACCESS FOR SERVICE

Record Changer

Remove chassis ventilation panel from inside of cabinet (five screws). Take out five screws and washers along the edges of the motor board. Lift the assembly, tilting it to the right to clear the carrying strap ends and rest it on the cabinet floor on its rear edge (diagonally).

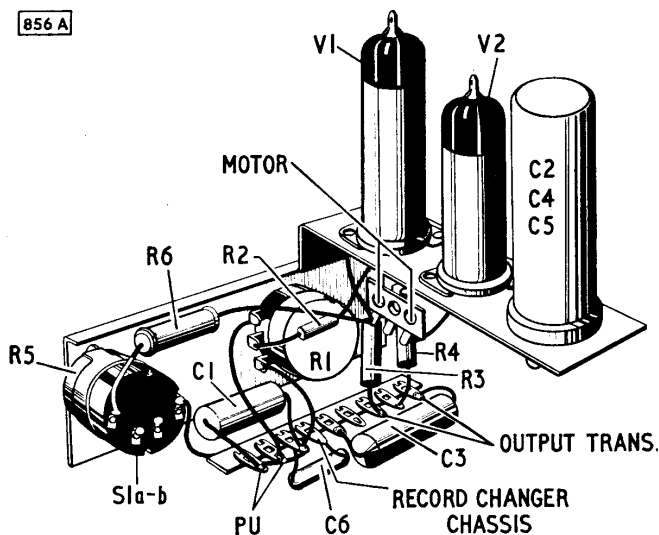
The amplifier chassis is secured to the inside of the cabinet front by two 4BA nuts. Before removing, pull off the control knobs. To separate the two assemblies unsolder the pickup, motor and earth leads from the amplifier chassis tag strips. In addition, the output transformer leads should be unsoldered from the chassis before removing the latter from the cabinet. Tag connections are detailed in the component drawing.

Stylus Replacement

Use the correct replacement types: LP-TC8R coloured red, 78-TC8G coloured green. Do not remove the screw securing the stylus, one turn is sufficient to enable the stylus to be withdrawn.



856 A



Component layout on amplifier chassis.

SPECIFICATION

Mains Supply: 200-250 Volts 50 cps. AC mains (no mains adjustment necessary).

Power Consumption: Approximately 38 watts at 240V.

Valves: One UY85 and one UL84.

Output Power: Approximately 2.5 watts.

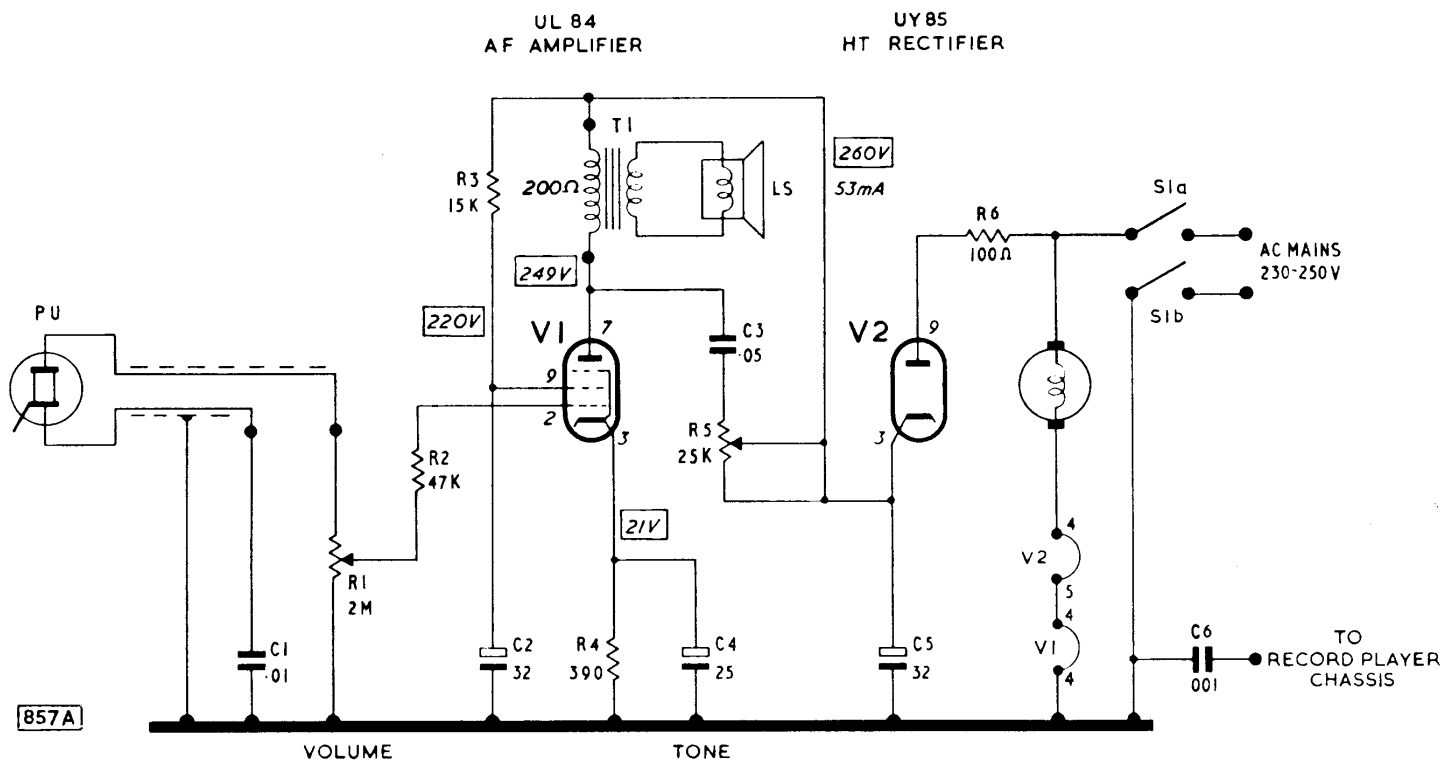
Record-changer: BSR type UA14 four speed automatic record-changer with turnover crystal pick-up, type TC8H.

Loudspeaker: 7in. × 4in. elliptical. 3Ω speech coil.

Case dimensions (overall): 16in. wide × 18in. deep × 8½in. high.

The manufacturers reserve the right to vary specifications or use alternative materials as may be deemed necessary or desirable at any time

Price 9d.



CIRCUIT DIAGRAM. D.C. voltages were taken with a 20,000 ohm voltmeter at a mains input of 240 volts AC.

RESISTORS

All $\frac{1}{4}$ Watt carbon 10% tolerance, unless otherwise stated.

| Ref. | Value | Rating | Function and Part No. |
|------|--------------|-----------------|------------------------------------|
| R1* | 2M Ω | Log. Pot. | Volume control X30656/4 |
| R2 | 47K Ω | | Grid stopper |
| R3 | 15K Ω | $\frac{1}{2}$ W | V1 Screen HT feed |
| R4 | 390 Ω | | V1 cathode bias |
| R5* | 25K Ω | Lin. Pot. | Tone control (with Sla-b) X30656/3 |
| R6 | 100 Ω | 5W W/W 5% | V2 Current limiter |

* Insulated Spindle.

MISCELLANEOUS

| Ref. | Description | Part No. |
|-------|--------------------------------|----------|
| T1 | Audio output transformer | Y30642 |
| Sla-b | On-Off switch | |
| LS | 7ins. \times 4in. elliptical | 16011/13 |

CAPACITORS

All 350V DC wkg. 20% tolerance, unless otherwise stated.

| Ref. | Value | Rating | Function and Part No. |
|------|--------------|--------------|---------------------------------|
| C1 | .01 μ F | 300V AC wkg. | Pick-up isolating |
| C2 | 32 μ F | ELEC. 300V | V1 Screen decoupling* |
| C3 | .05 μ F | 500V | Part tone control circuit |
| C4 | 25 μ F | ELEC. 25V | V1 cathode bypass* |
| C5 | 32 μ F | ELEC. 300V | HT smoothing* |
| C6 | .001 μ F | 300V AC wkg. | Record player chassis isolating |

* Part No. 13236/14

SPARE PARTS LIST

| Description | Part No. |
|---|----------|
| Cabinet | V30641 |
| Control knobs: | |
| Volume On/Off and Tone | 30670 |
| Record changer | N30646* |
| Screws—Motor board fixing | SW6N14/N |
| Cup washer for above | WC6/N |
| Screw—Ventilation panel fixing | X30636 |
| * Fitted with TCH8 pick-up cartridge (orange) | |

BRITISH RADIO CORPORATION LIMITED

SERVICE DEPOTS:

LONDON: Eley's Estate, Angel Road, N.18 · Edmonton 3060
BIRMINGHAM: 24 Sheepcote Street, 15 · Midland 5291

MANCHESTER: Derby Street, Cheetham 8 · Deansgate 8484
GLASGOW: 160-162 Battlefield Rd., S.2 · Langside 9251/2/3/4