

ACCESS FOR SERVICE

Record Changer and Amplifier

Secure the record changer by means of the transit screws. Remove the ventilation panel from inside cabinet (2 screws). Take out screws around edge of motor board then pull it forward to clear securing slot. Lift from left-hand side and place on its rear edge diagonally across cabinet floor. The amplifier chassis is secured to the control panel by three nuts (two on Model 6008) before removing pull off control knobs then take off nuts to release chassis.

To separate the assemblies unsolder from the tag panel all leads to the motor board. Note the respective connections and colour coding to facilitate reassembly. In Model 6008 the output transformer is fitted on the loudspeaker, the leads connecting this to the amplifier tag panel must also be disconnected.

COMPONENT DETAILS

CAPACITORS

Ref.	Value	Tol.	Rating	Models 4020/6016 Part No.	Model 6008 Part No.
C1	.01 μ F	20%	300V AC	2M52	2M52
C2*	32 μ F	Elec.	300V	OEO-236/001	1Z3-236/14
C3	.05 μ F	20%	500V	3M40	3M40
C4*	25 μ F	Elec.	25V	OE0-236/001	1Z3-236/14
C5*	32 μ F	Elec.	300V	OE0-236/001	1Z3-236/14
C6	1000pF	20%	3000V AC	6M13	6M13

* Combined unit.

RESISTORS

All $\frac{1}{4}$ watt carbon 20% tolerance, unless otherwise stated.

Ref.	Value	Tol.	Rating	Models 4020/6016 Part No.	Model 6008 Part No.
R1*	2M Ω		Log.pot.	8E1-008/045	8E1-008/35
R2†	100K Ω			8A76	
R3	15K Ω		$\frac{1}{4}$ W	7A69	7A69
R4	390 Ω	10%	$\frac{1}{4}$ W	7A70	7A70
R5*	25K Ω			8E1-008/046	8E1-008/36
R6	100 Ω	5%	5W WW	7A71	7A71

* Insulated spindles.

† 47K Ω in Model 6008, Part No. 7A68.

MISCELLANEOUS

Ref.	Description	Models 4020/6016 Part No.	Model 6008 Part No.
LS	Loudspeaker (nut 0L6-005)	8E3-006/001	1Z6-011/17
S1a-b	On-off switch	with R5	with R5
T1	Output transformer (screw SB06CC04, nut NFHB06, washer SWPB06)	8D3-018/001	8D3-009/1

When ordering replacement components, please quote Model number and include the description or function given with part number.

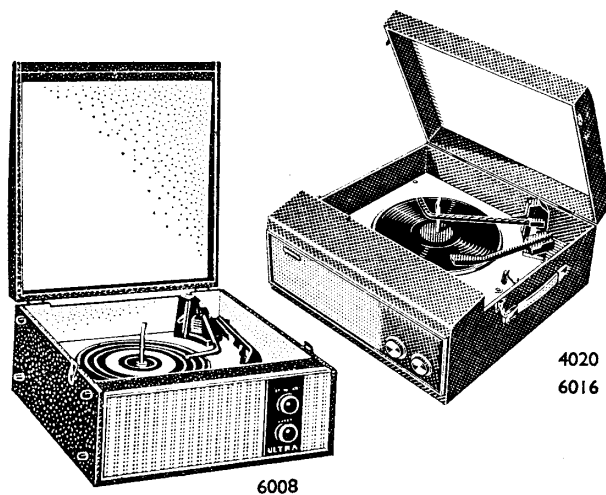
Continued overleaf



service manual

Price: One Shilling

MARCONIPHONE 4020 ULTRA 6008 & 6016



4020
6016

6008

SPECIFICATION

Mains Voltage Range: 200-250V AC 50 c/s.

Power Consumption: Approximately 38 watts at 240V.

Valves: V1-10P18/UL84.
V2-U381/UY85.

Output Power: 2.25 watts.

Record Changer: BSR UA25 four-speed automatic with pickup cartridge Type X2HE and turnover stylus ST3.

Loudspeaker: 7in. x 4in. elliptical, 3 ohm speech coil.

The manufacturers reserve the right to vary specifications or use alternative materials as may be deemed necessary or desirable at any time.

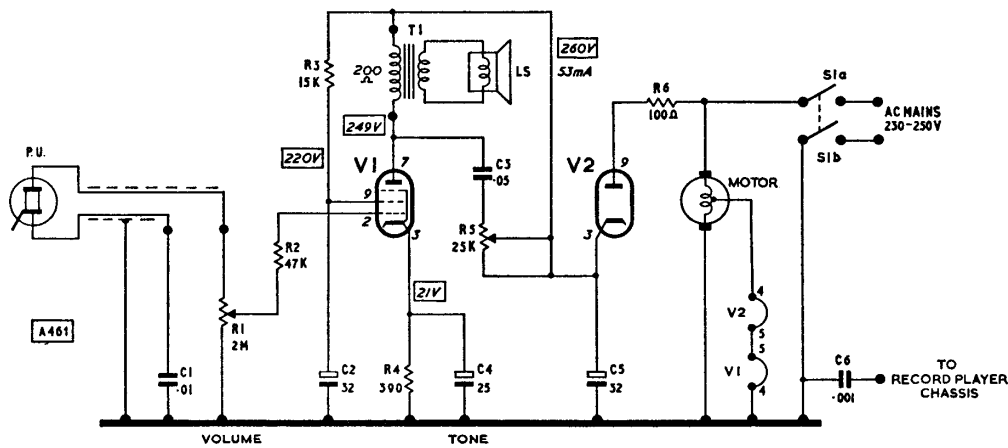
BRITISH RADIO CORPORATION LIMITED

SERVICE DEPOTS

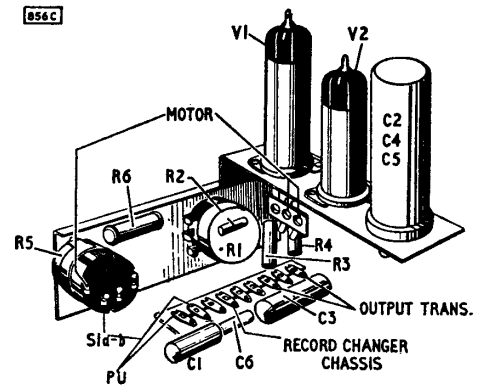
LONDON: Eley's Estate, Angel Road, N.18 · 01-807 3060
Ansafone Spares Ordering Service: 01-807 6332

BIRMINGHAM: 24 Sheepcote Street, 15 · 03-643 5291

GLASGOW: 160-162 Battlefield Road, S.2 · Langside 9251/2/3/4



CIRCUIT DIAGRAM. DC voltages were measured with a 20,000 ohm/volt meter with a mains input of 240V AC.



The positions of R1 & R5 are reversed in Models 4020 & 6016.

Component location diagram.

REPLACEMENT PARTS LIST

Cabinet Assembly

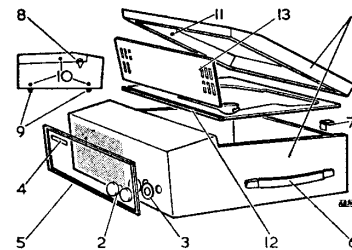
1. Cabinet including lid
2. Control knob (clip 3L3-027)
3. Knob escutcheon (pin 8L5-002)
4. Emblem
5. Trim (length 40")
6. Handle including fittings
7. Lid hinge
8. Lid catch
9. Foot on base
10. Foot on side
11. Foot insert
12. Motor board (screw SW06NP14/N, cup washer WCRA06)
13. Ventilation panel (screw SW06NM06/N)

Model 4020

- 8A0-060/1
- 3M4-034/019
- 8A4-093/1
- 8A6-023/1
- 8A2-048
- 8A9-008/12
- 8A9-009/3
- 8A9-010/5
- 8A8-005/3
- 8A8-005/1
- 8A8-005/22
- 8A1-066
- 8A1-065/1

Model 6016

- 8M3-360
- 3M4-034/020
- 8A4-093/1
- 8A6-024/1
- 8A2-048
- 8A9-008/17
- 8A9-009/3
- 8A9-010/5
- 8A8-005/28
- 8A8-005/29
- 8A8-005/30
- 8A1-068
- 8A1-065/2



4020 & 6016

Chassis Assembly

- Valveholder for V1 or V2
- V1 retaining clip
- V2 retaining clip
- Cable cleat
- Chassis assembly securing nut

Models 4020 & 6016

- 0F2-030
- 0B5-073/002
- 0B5-073/001
- 0L4-003
- NFHB04

Model 6008

- 1Z3-697
- 1Z8-152/2
- 1Z8-152/1
- 0L4-004
- NFHB04

Record Changer

- BSR Model UA25
- Turnover sapphire styli, Type ST3
- Cartridge, Type X2HE
- Transit screw
- Transit clip
- Transit washer
- Centre spindle
- Motor

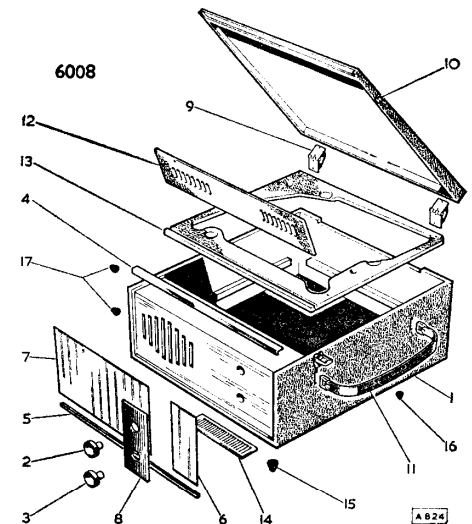
Models 4020 & 6016

- 8D3-013
- 0X0-415
- 0X0-836
- 0X0-870
- 0X0-155
- 0L6-043/037
- 0X0-497
- 0X0-499

Model 6008

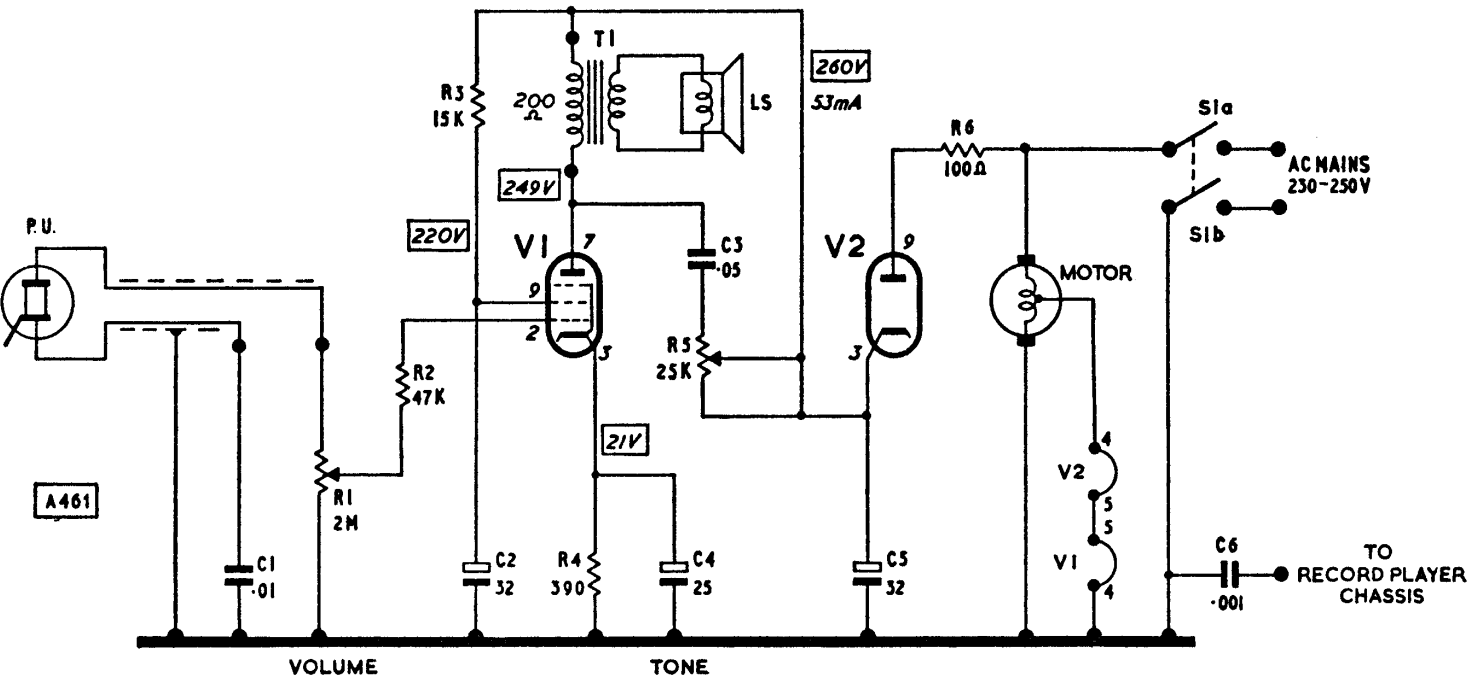
- 8D3-013
- 0X0-415
- 0X0-836
- 0X0-392
- 0X0-155
-
- 0X0-497
- 0X0-499

Cabinet Assembly 6008



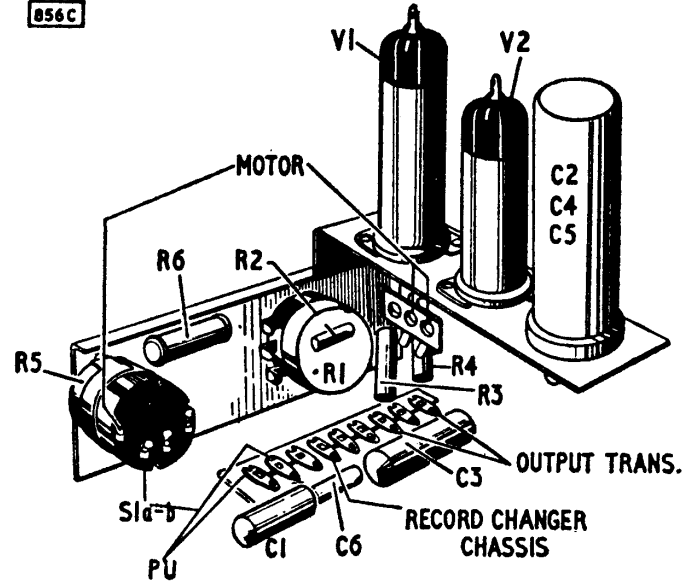
- (1) { Cabinet including lid—black/grey model ... 8A0-004/3
Cabinet including lid—blue/grey model ... 8A0-004/4
- (2) On/Off tone control knob (clip 3L3-027, felt washer 8F7-007) ... 3M4-034/16
- (3) Volume control knob (clip 3L3-027, felt washer 8F7-007) ... 3M4-034/15
- (4) Grille trim—top ... 8A0-004/E
- (5) Grille trim—bottom ... 8A0-004/F
- (6) Grille RH ... 8A4-039
- (7) Grille LH ... 8A4-038
- (8) Control panel ... 8A4-040
- (9) Lid hinge (screw SW4R06/N) ... 8A0-004/B
- (10) Lid catch assembly (screw SW2R04/N) ... 8A0-004/A
- (11) Handle (washer WP4/L, dome nut 8A0-004/D) 8A9-003/2
- (12) { Ventilation panel—black/grey model ... 8A1-008
Ventilation panel—blue/grey model... 8A1-008/1
Screw SW04NN06/N)
- (13) { Motor board—black/grey model ... 8A1-032
Motor board—blue/grey model ... 8A1-038
(woodscrew SW06NP14/N, ...
cup washer WPCB06/N) ...
- (14) Ventilation grille ... 8A0-004/C
- (15) Foot—front base (insert OXO-524) ... 578775
- (16) Foot—rear base ... 505025
- (17) Foot—cabinet side (insert 503718) ... 516250

"MARCONIPHONE" products are made to a standard of design and quality approved by The Marconiphone Co. Ltd., registered proprietor of the name and signature trade marks.



CIRCUIT DIAGRAM. DC voltages were measured with a 20,000 ohm/volt meter with a mains input of 240V AC.

856C



The positions of R1 & R5 are reversed in Models 4020 & 6016.

Component location diagram.