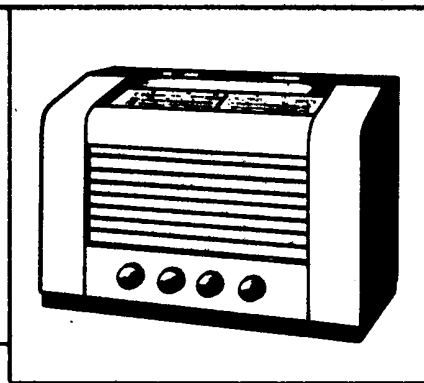


**MARCONIPHONE  
Model 7107**

**7 - VALVE BANDSPREAD TABLE MODEL  
FOR A.C. MAINS**



**SPECIFICATION**

**Physical.**

Height. 14½ inches (37.5 cm.)  
Width. 22 inches (55.9 cm.)  
Depth. 11 inches (30.5 cm.)  
Weight. 48 lb. (21.79 kg.)

} Overall

**Wave Ranges.**

S.4. 11.03 - 14.29 metres (27.2 - 21.0 Mc/s.)  
S.3. 15.54 - 20.98 metres (19.3 - 14.3 Mc/s.)  
S.2. 20.83 - 32.97 metres (14.4 - 9.1 Mc/s.)  
S.1. 32.61 - 100 metres (9.2 - 3.0 Mc/s.)  
M.W. 187 - 575 metres (1,602 - 521.7 kc/s.)

**Mains Supply and Consumption.**

100-255 volts, 50-100 cycles A.C. only.  
Consumption - 66 watts.

**Intermediate Frequency. 465 kc/s.**

**Valves.**

- V1 W81 R.F. Amplifier.
- V2 X81 Frequency Changer.
- V3 W81 I.F. Amplifier.
- V4 DH81 Detector, A.G.C. and L.F. Amplifier.
- V5 Y61 Visual Tuning Indicator.
- V6 KT81 Output.
- V7 U81 H.T. Rectifier.

**Loudspeaker.**

A 10½ inch medium elliptical cone, permanent magnet, moving coil type. The speech coil has a D.C. resistance of 3 ohms and an impedance of 5 ohms at 1,000 cycles.

**Scale Lamps.** Four 6.8 volts, 0.3 amp.

**External Loudspeaker.**

An additional low resistance loudspeaker may be connected to the "Ext. L.S." sockets provided at the rear of the receiver. If only the external loudspeaker is required, the internal loudspeaker plug is removed.

**Rated Output.** 4 watts maximum.

**VALVE TABLE**

The following table indicates the approximate voltage readings obtained on each valve when the receiver is connected to a 220 volts 50 cycles mains supply, and operating with the Volume Control at maximum at a point of no reception on the M.W. band. Variations of ±15 per cent may be anticipated between models. Higher or lower mains voltage will naturally produce a corresponding variation in meter readings in approximate proportion to the change in mains supply.

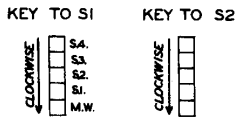
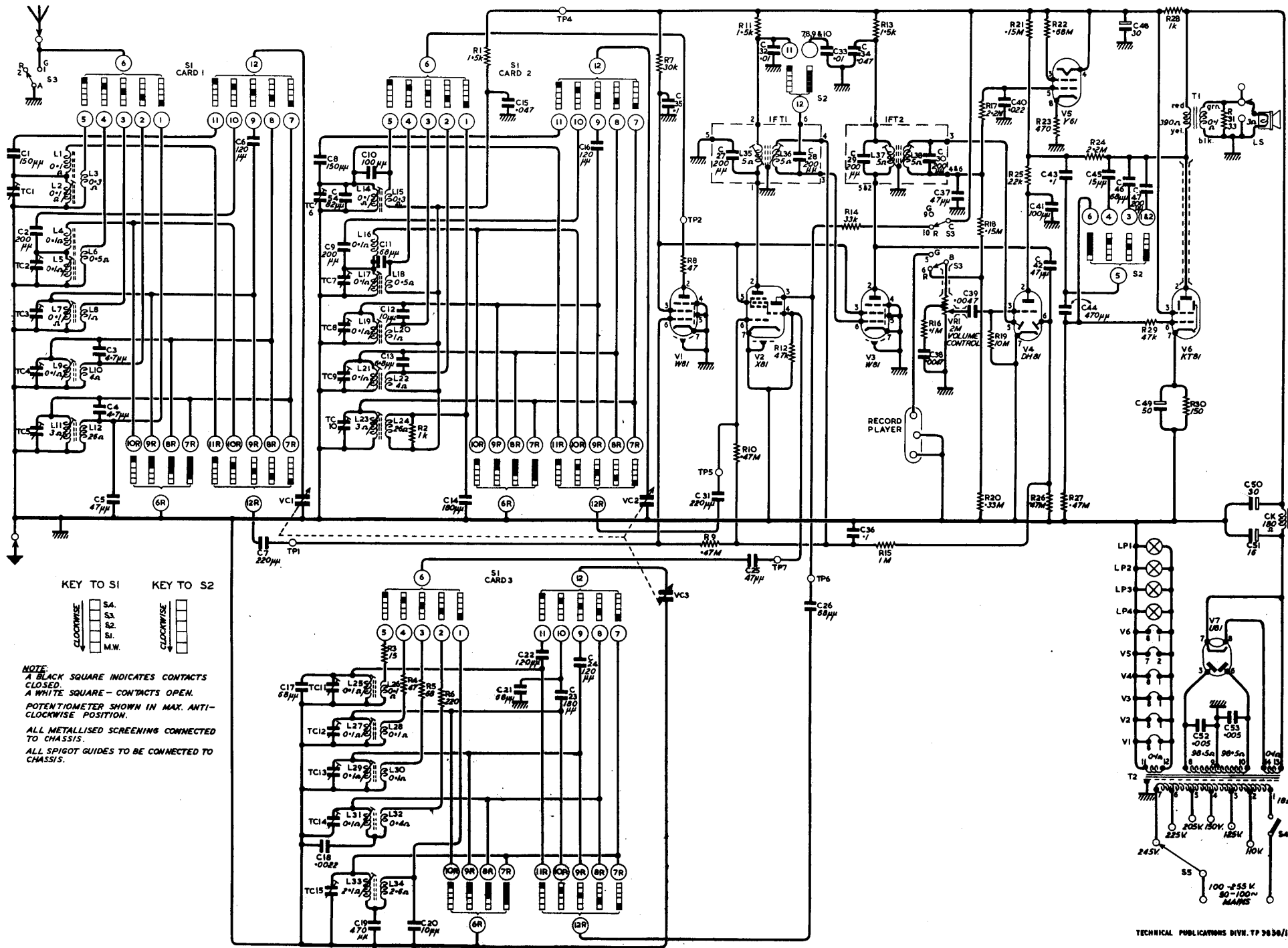
A high resistance voltmeter should be used to measure voltages. Values stated below were obtained using a meter with a resistance of 500 ohms per volt.

VALVE.	ANODE. Volts to Chassis.	SCREEN. Volts to Chassis.	CATHODE. Volts to Chassis.
V1 (W81)	220	50	—
V2 (X81)	Mx.   Osc.	50	—
	230   90		
V3 (W81)	222	50	—
V4 (DH81)	85	—	—
V5 (Y61)	22	TARGET	0.3
		235	
V6 (KT81)	255	235	4.5
V7 (U81)	240 A.C.	—	278

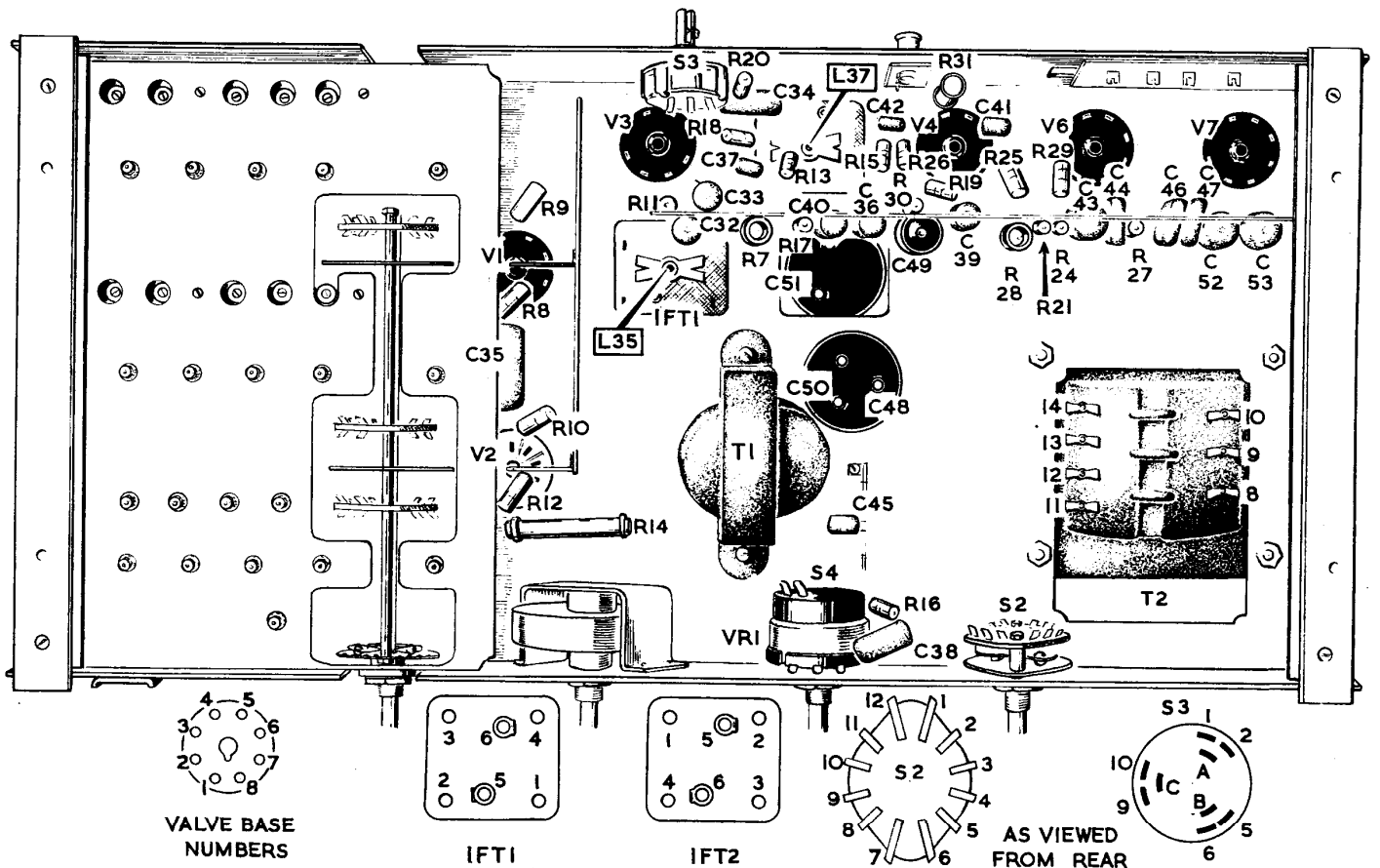
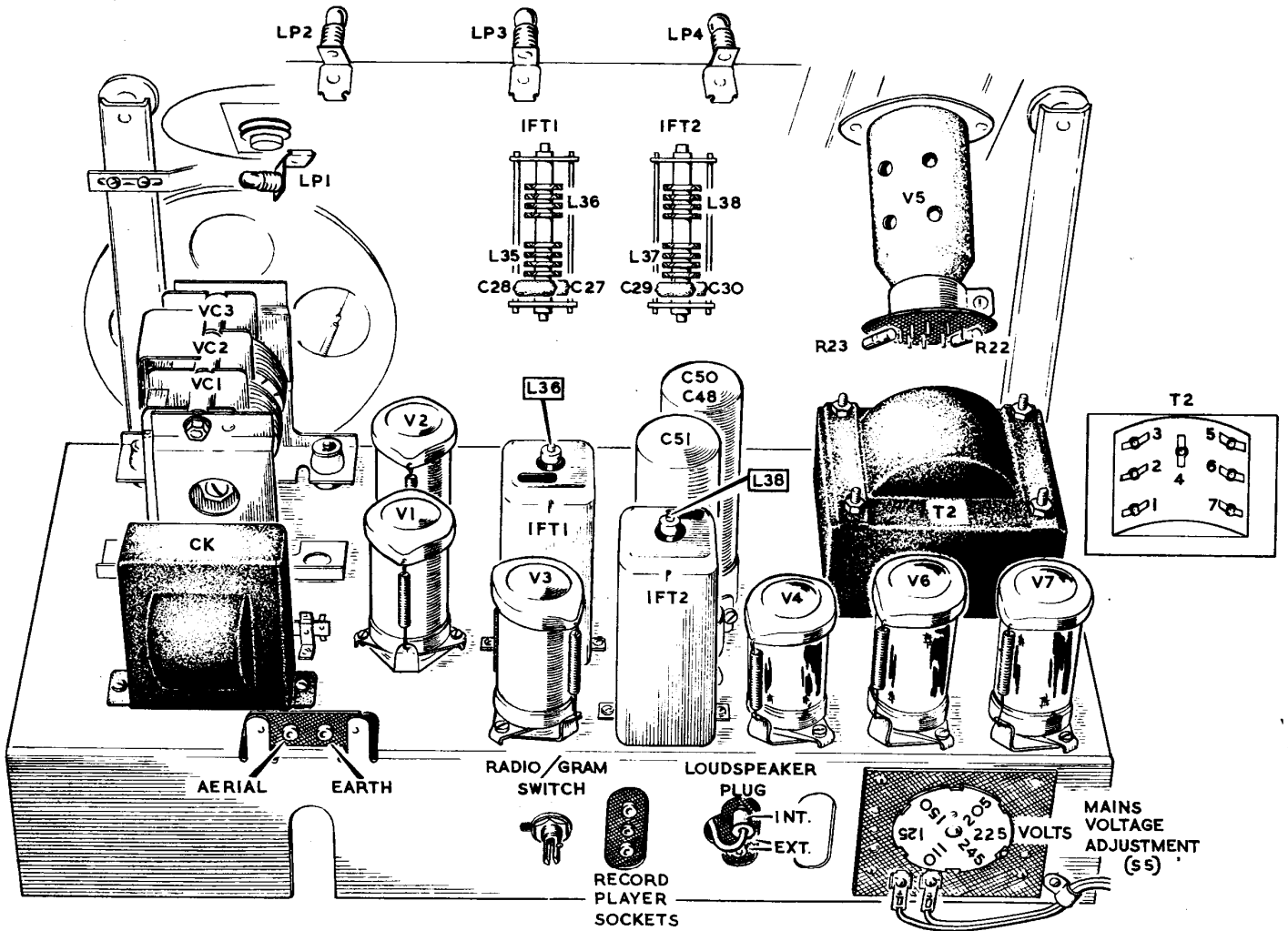
H.T. Volts (smoothed), 265 V.

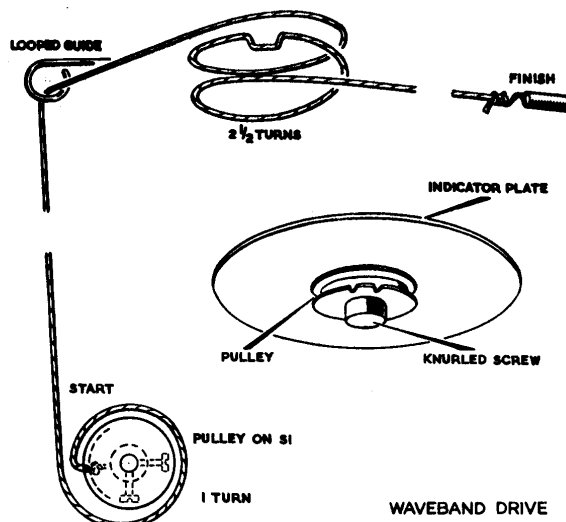
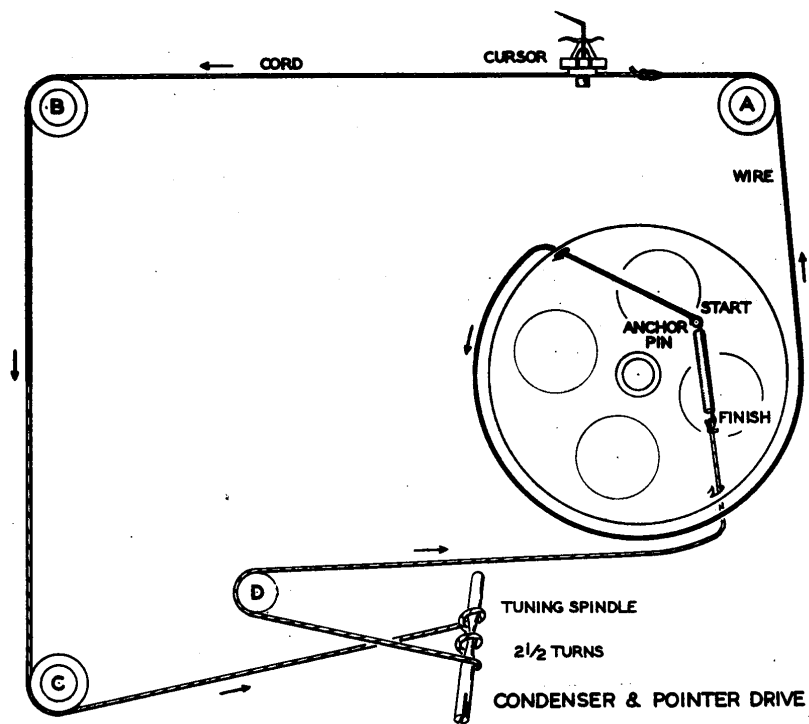
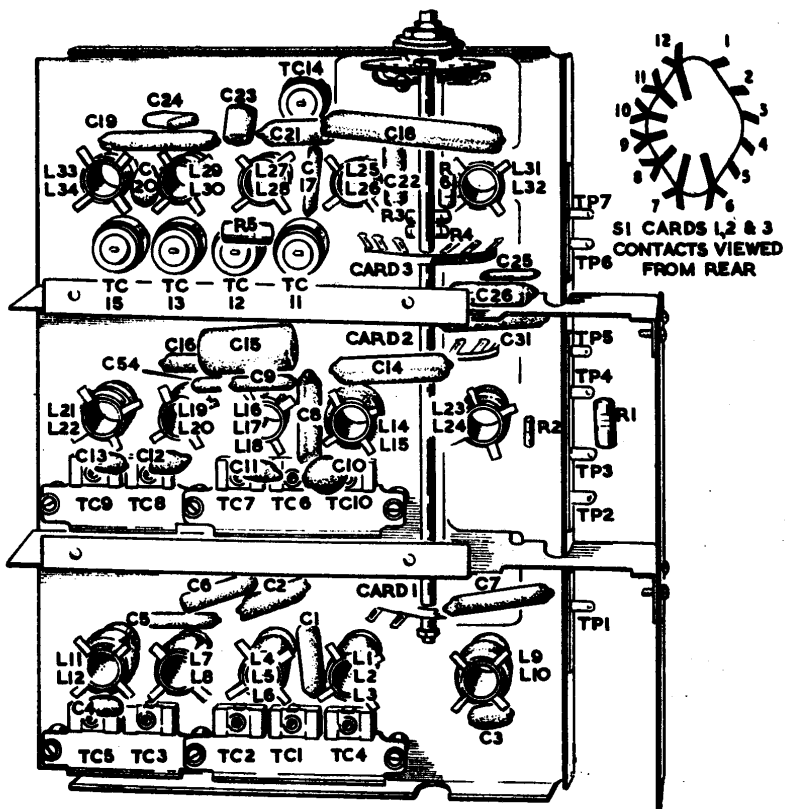
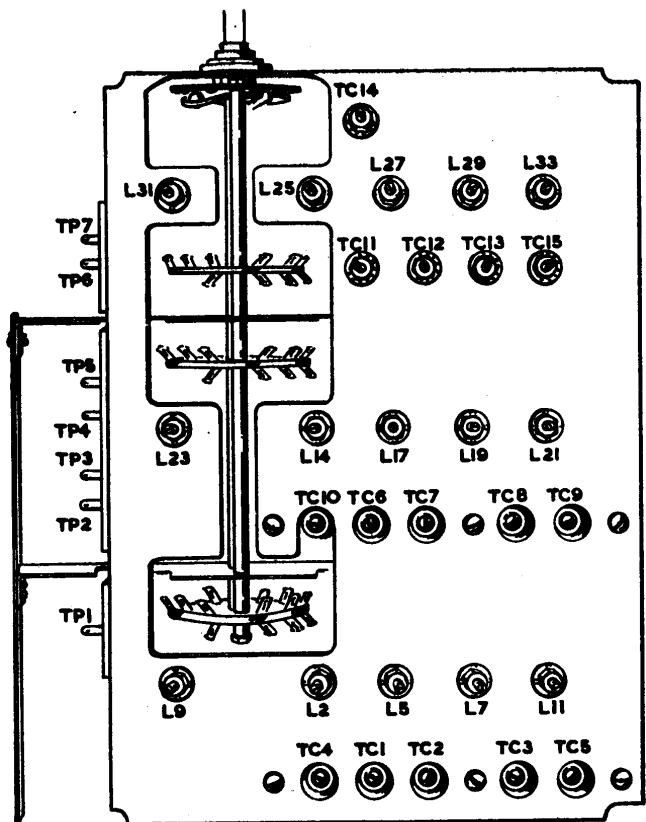
H.T. Current (total), 60mA.

Total Current at Mains Lead, 270 mA. A.C.



NOTE:  
 A BLACK SQUARE INDICATES CONTACTS CLOSED.  
 A WHITE SQUARE - CONTACTS OPEN.  
 POTENTIOMETER SHOWN IN MAX. ANTI-CLOCKWISE POSITION.  
 ALL METALLISED SCREENINGS CONNECTED TO CHASSIS.  
 ALL SPIGOT GUIDES TO BE CONNECTED TO CHASSIS.





ISSUED BY:-

**E.M.I. SALES & SERVICE LTD., HAYES, MIDDLESEX.**

For further technical information, write to the Technical Information Division,  
Sheraton Works, Wadsworth Road, Greenford, Middlesex.

Part No. 43093  
March 1949

Technical Publications Division.