

MARCONIPHONE RECORD PLAYER Model 4004

General Description: Transportable record-player with Garrard Auto-slim four-speed automatic record-changer with turnover crystal pick-up type GP67-2G.

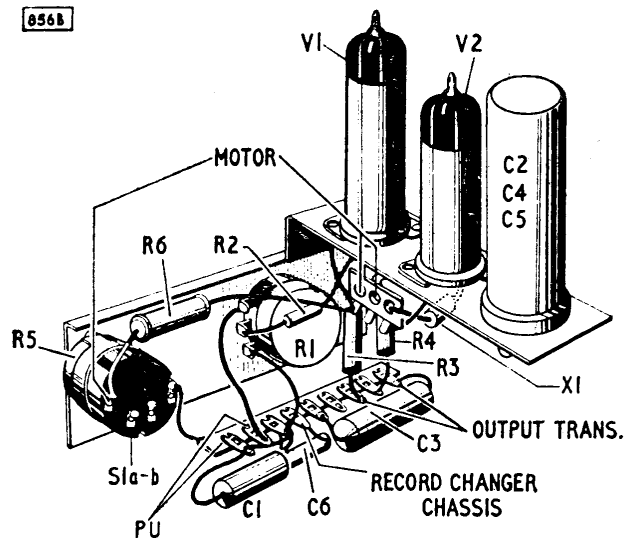
Power Supply: A.C. mains, 230-250 volts, 50 c/s., approximately 38 watts consumption at 240-volts.

Valves: (V1) 10P18/UL84; (V2) U381/UY85.

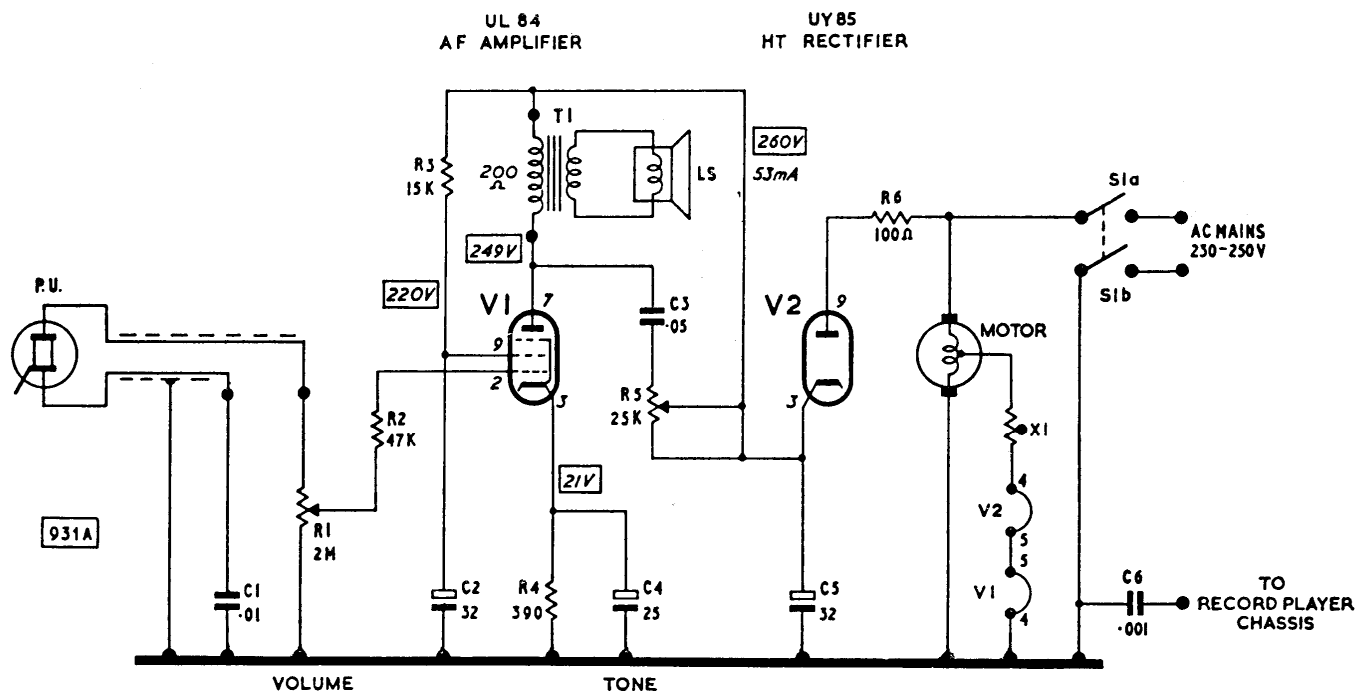
Notes: R1 (log.) and R5 (lin.) have insulated spindles. R6 100 ohms, 5 W. wirewound 5 per cent. C1 and C6 are 300-volt A.C. rating.

Styli: LP-SJ2 (red); 78-SJ1 (green). Remove stylus with tweezers, lifting stylus end of assembly out of crystal coupler and then drawing support wire out of mounting block. Fit replacement stylus by inserting support wire into mounting block and then locate stylus.

Dismantling: Remove ventilation panel from inside cabinet (two screws). Take out four screws and cup washers along edges of motor board. Lift motor board assembly, tilting slightly to clear obstructions, and rest on its right-hand edge, diagonally across cabinet floor. To remove amplifier, pull off knobs, take off amplifier cover panel (two screws) and undo two 4BA nuts, washers and spacers which secure amplifier to front of cabinet.



Component layout of amplifier chassis.



CIRCUIT DIAGRAM. DC voltages measured with a 20,000 ohm/volt meter with a mains input of 240 volts AC.