

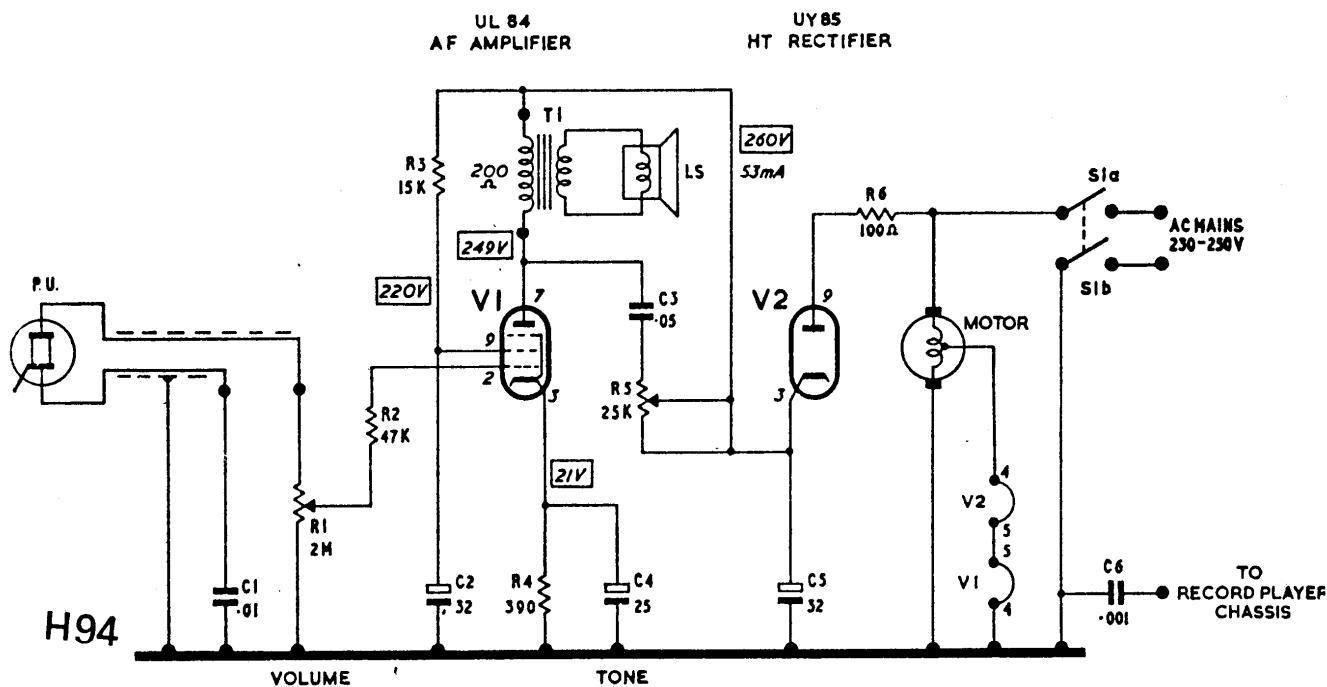
# MARCONIPHONE

# Model 4008

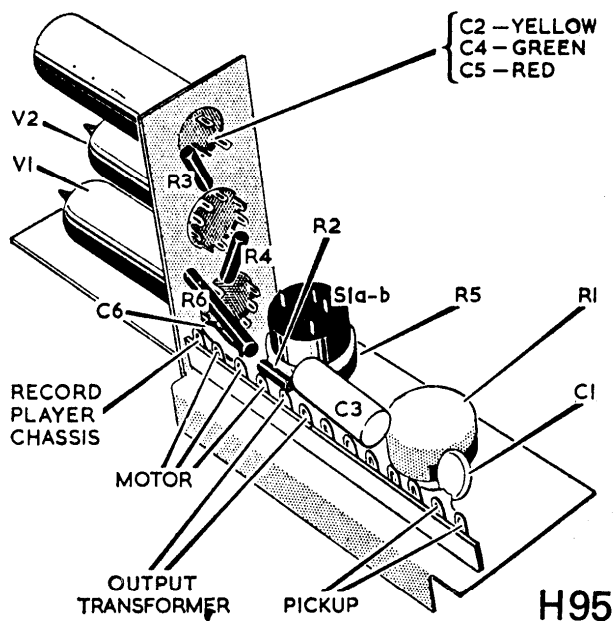
**General Description:** Record player with 2.25 watts output. Changer, B.S.R. UA25 with cartridge X2HE and turnover stylus ST5. Speaker, elliptical 3 ohms. A.C. mains 230-250 volts, 50 c/s.

**Valves:** UL84 and UY85.

**Cabinet Dimensions:** 15.5 in. wide × 16.875 in. deep × 7.25 in. high.



CIRCUIT DIAGRAM—4008



COMPONENT LOCATIONS—4008

## Access for Service

**Record Changer and Amplifier:** Lock the record changer by means of the transit screws. Remove ventilation panel from inside cabinet (3 screws). Take out screws around edge of motor board then lift motor board from left-hand side and place it on its rear edge diagonally across cabinet floor. The amplifier chassis is secured to the control panel by two screws, before removing pull off control knobs and take out screws to release chassis.

To separate the assemblies, unsolder from the amplifier tag panel all leads to the motor board and also the output transformer leads. Note the respective connections and colour coding to facilitate reassembly.

**Loudspeaker Removal:** The loudspeaker can be removed by taking out ventilation panel and placing motor board diagonally across cabinet floor. Take off four nylon nuts securing speaker to front panel, then unsolder two connections on 13-way tag strip after noting positions and colour coding for reassembly.

**Stylus Replacement:** Use the correct replacement, Type ST5. The stylus assembly can be pulled free with the indicator in the 78 position. The indicator of the replacement must be similarly positioned before pressing into its location.

Always ensure that the stylus arm is fitted correctly into the V-shaped slot at the head of the cartridge.