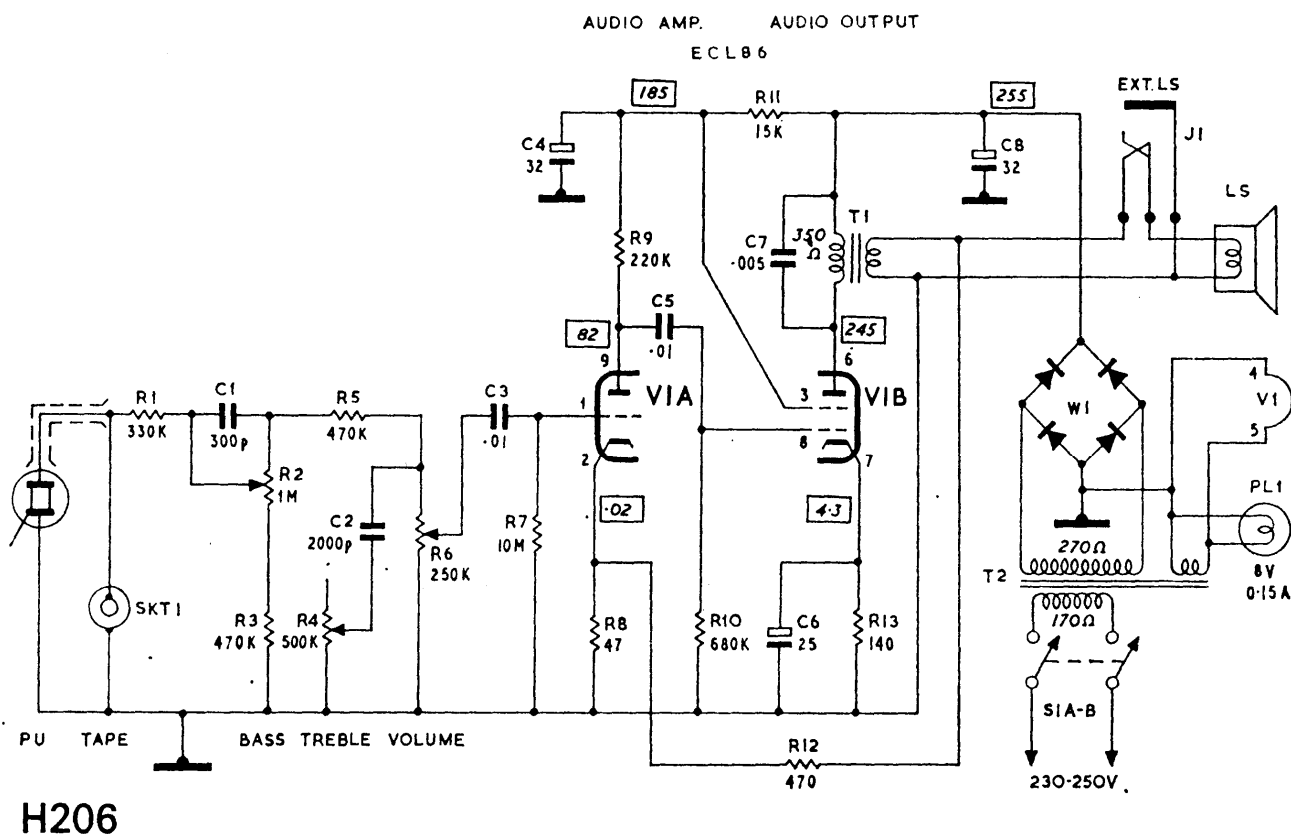


MARCONIPHONE

Models 4022 and 4026

General Description: Record players with an output power of 2.75 W approx. Record changer: (4022) BSR Superslim UA15 with cartridge 211, and turnover stylus ST8. Record changer: (4026) BSR UA45 with cartridge X3M and turnover stylus ST8. Loudspeaker: elliptical, 3 Ω. Mains supply: 230-250 V, 50 Hz.



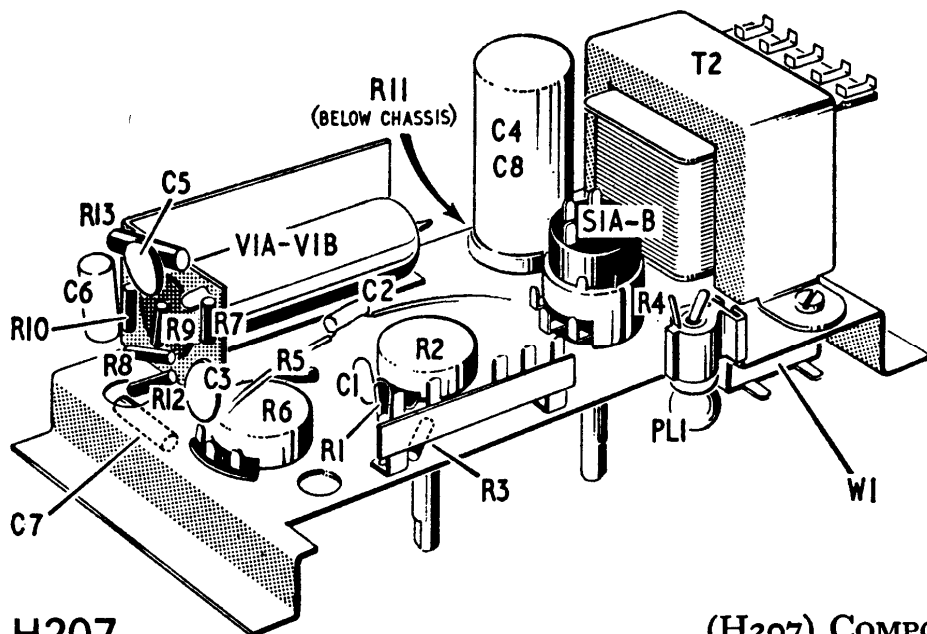
(H206) CIRCUIT DIAGRAM—MODEL 4022

Circuit Diagram Note: D.C. Voltages were measured with a 20,000 ohm/voltmeter with a mains input of 240 V A.C.

Access for Service: Remove ventilation panel from inside cabinet (two screws). Take out screws and cup washers along edges of motor board. Pull motor board forward slightly to clear slot in back of cabinet, lift assembly, tilting slightly to clear obstructions, and rest on its rear edge diagonally across cabinet floor. To remove amplifier release mains lead and pick-up lead clamps. Pull off control knobs, then extension loudspeaker and tape connections from tag panel on amplifier chassis—noting colour coding for ease of reassembly. Remove four nuts and washers securing amplifier to front panel then lift out amplifier within limit of the inter-connecting leads. For complete removal disconnect pick-up leads from tag panel on motor baseplate, the motor leads from mains switch, and tags from loudspeaker tag panel, taking note of colour coding for reassembly.

Stylus Replacement: Use the correct stylus ST8. Place the indicator tab in the 78 or L.P. position and lift stylus arm clear of V-shaped fork in cartridge

MARCONIPHONE



H207

(H207) COMPONENT LOCATIONS—MODEL 4022

head. Ease stylus assembly clear of securing clip. Fit the replacement stylus by raising the securing clip with thumbnail, insert stylus back stock and gentle pressure will click the stylus arm into position. Make sure stylus arm fits into V-shaped fork in cartridge head.