

MARCONIPHONE

Model 4025

General Description: A stereophonic record player with separate loudspeaker enclosures which may be attached to the player-amplifier unit for transit purposes.

Mains Supply: 240 volts. 50 Hz.

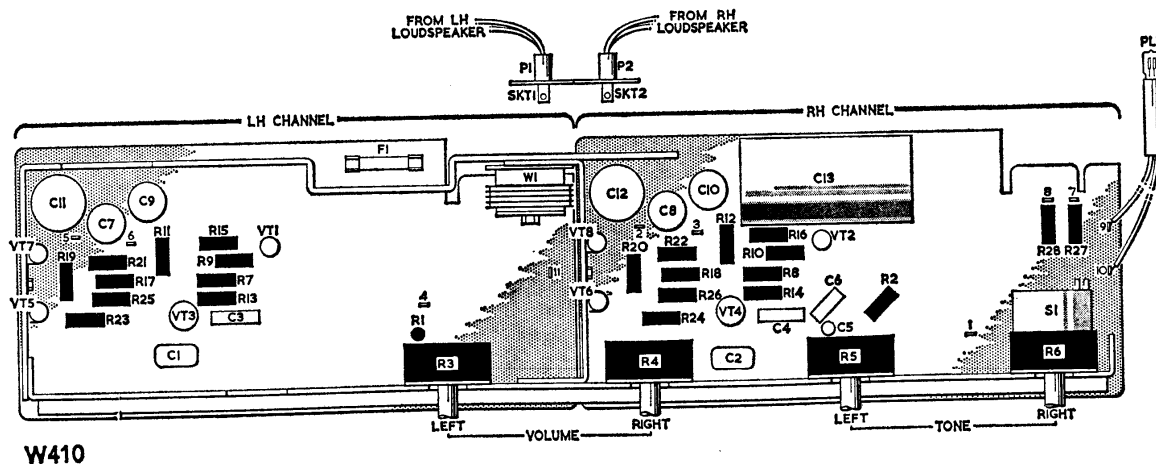
Mains Lead Stowage: To avoid damaging the pickup arm or pickup, note position for fitting each loudspeaker and ensure that the mains lead and plug are stowed on the left-hand side of the record player.

Dismantling: Lift off loudspeakers by unlatching clasps on sides of cabinet, then remove front cover (two screws). Take out four screws—one from each side and two from rear of cabinet. Fully unscrew transit screws to lock autochanger, and ensure that pickup is retained by its clip. Ease motor board forward to clear recess in cabinet back, then lift from left-hand side and place on its rear edge diagonally across cabinet floor. The printed circuit assembly can be released by pulling off the control knobs and removing two nuts and washers securing it to the front panel.

To disconnect the assembly completely, pull off pickup leads from tag panel on underside of autochanger chassis; unsolder neon lamp leads, motor leads and loudspeaker leads from printed circuit—board noting colour coding and positions for reconnecting—then unsolder mains lead on switch and mains earth on chassis tag.

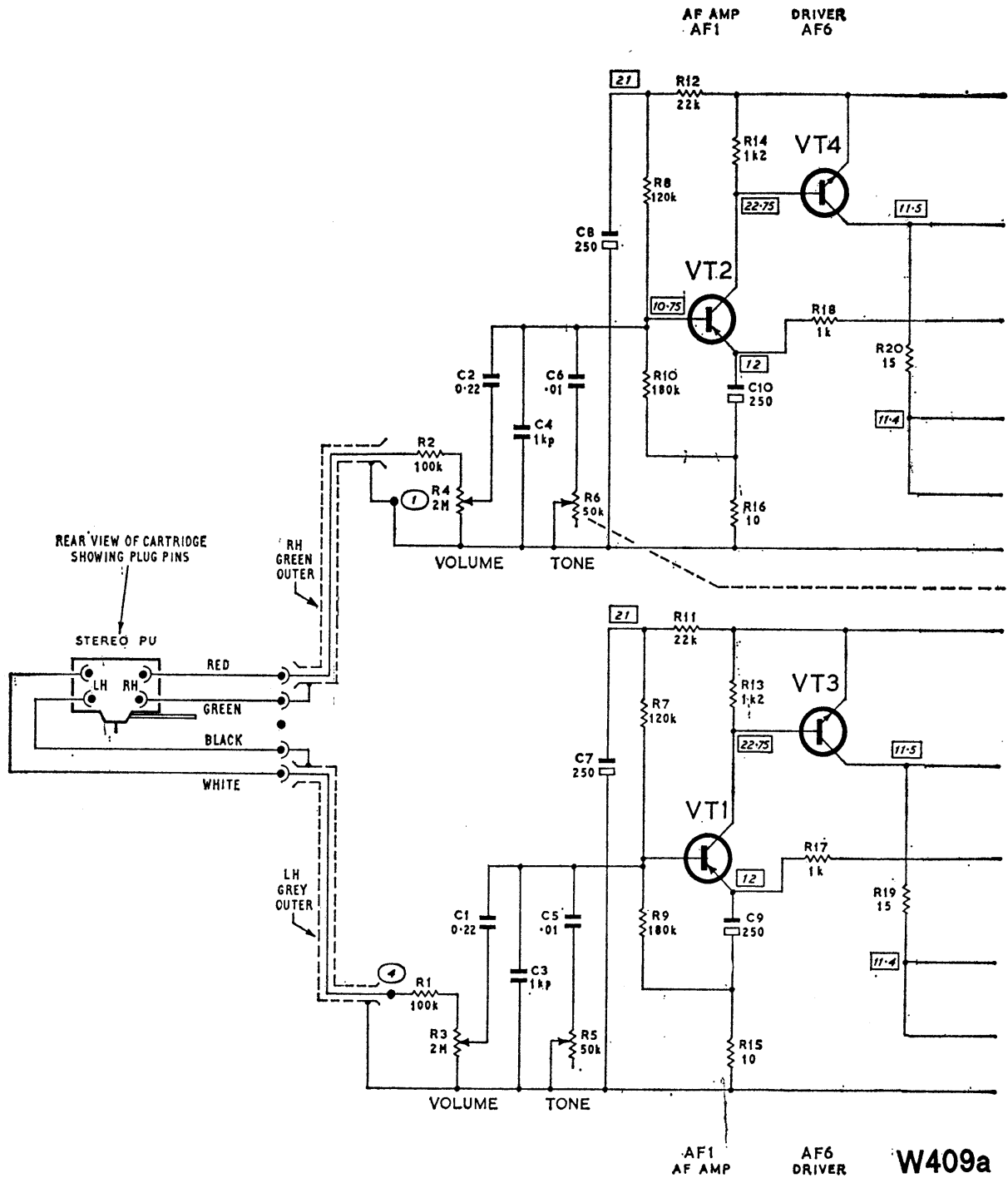
Cartridge Replacement: Take out screw in head of pickup arm to release cartridge. Pull off tag connections at rear of cartridge—noting position and colour coding for connecting to the replacement cartridge.

Stylus Replacement: To remove a worn styli assembly, turn the indicator flag to either playing position. A gentle downward pressure and forward movement of the styli assembly will release it from its mounting. After replacement ensure that the stylus arm is engaged properly within the V-shaped fork of the cartridge.



(W410) COMPONENT LAYOUT—MODEL 4025

RADIO SERVICING

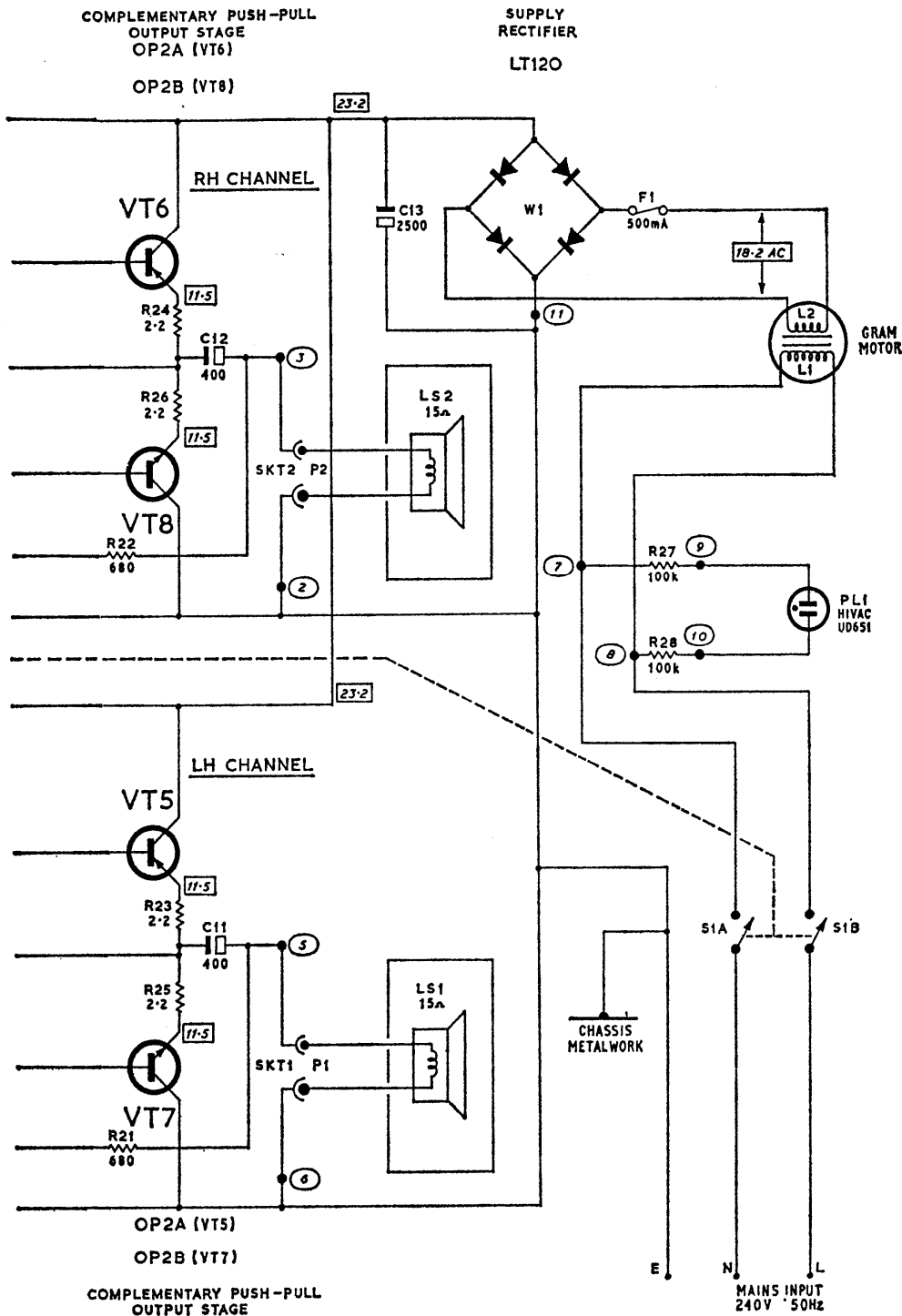


(W409a) CIRCUIT DIAGRAM—MODEL 4025 (Part)

Replacement Transistors and Diodes: These are obtainable from BRC Service Depots. Suitable Mullard types, available from wholesalers, are listed below.

- | | | | | | | | | | |
|--------------------------------------|----|----|----|-------|--------------------------------------|----|----|----|-------|
| VT ₁ , VT ₂ .. | .. | .. | .. | BC187 | VT ₅ , VT ₆ .. | .. | .. | .. | AC128 |
| VT ₃ , VT ₄ .. | .. | .. | .. | BC107 | VT ₇ , VT ₈ .. | .. | .. | .. | AC176 |

MARCONIPHONE



W409b

(W409b) CIRCUIT DIAGRAM—MODEL 4025 (Continued)

Circuit Diagram Notes:

Voltage measurements shown in rectangles, were taken with a 20,000 ohm per voltmeter and were measured relative to the positive chassis line except where indicated otherwise. Ringed figures denote tag connections on the component sides of the printed board.