

MARCONIPHONE

Model 4031

General Description: A stereophonic record player with separate loud-speaker enclosures which may be attached to the player-amplifier unit for transit purposes.

Mains Supply: 240 volts. 50 Hz.

Quiescent Current: 74 mA.

Mains Lead Stowage: To avoid damage to the pickup arm or pickup, note position for each loudspeaker and ensure that the mains lead and plug are stowed on the left-hand side of the record player.

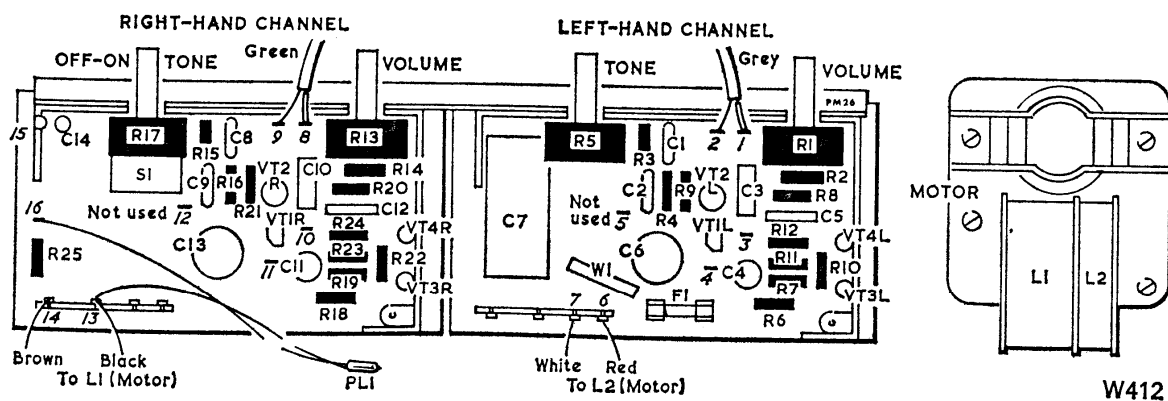
Dismantling

General: Take out four screws around edge of motor board. Lift motor board at rear, just sufficient to clear cabinet, and move it slightly rearward to clear lip at front of cabinet, then place motorboard on edge across cabinet floor. This provides access to the chassis and to the 500 mA surge-proof fuse.

Chassis Removal: Pull off control knobs, then take off two nuts and washers securing chassis to cabinet—taking care not to lose two spacing pillars. The complete chassis can now be removed from the cabinet after releasing neon lamp from holder and, if required, unsoldering loudspeaker leads from tags on printed board.

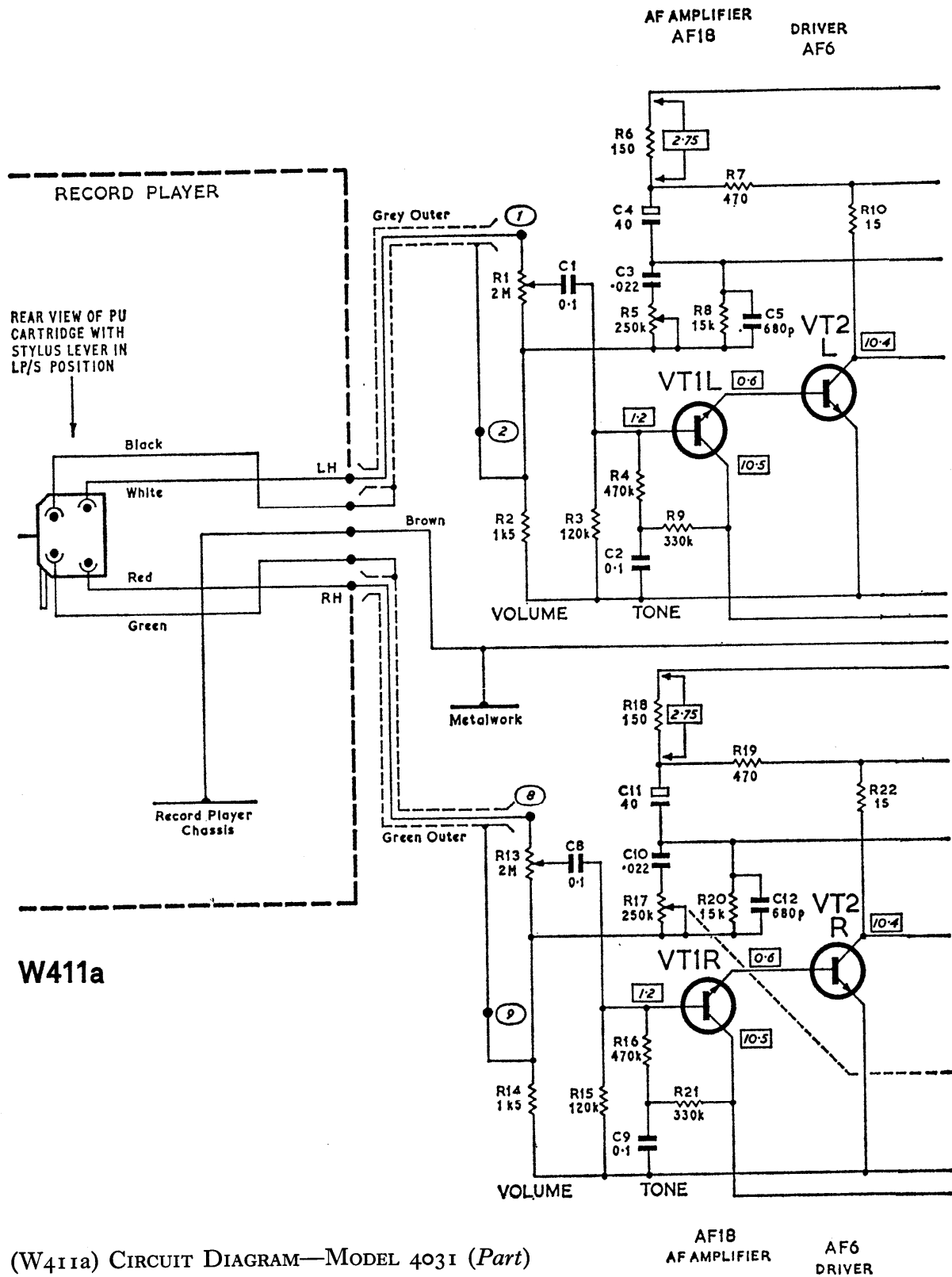
Record Player Removal: Note that the pickup arm assembly is separately mounted. Pull off pickup leads from tag panel on motor board, noting connections for correct reassembly. Unsolder motor mains feed lead from tag panel on right-hand channel printed board, also low tension leads from tag panel on left-hand channel printed board. Release leads from cleat on motor board and take off three nuts and washers to enable turntable and motor to be separated from cabinet.

To remove turntable, lift 45 r.p.m. spindle adaptor and gently press the location lugs inward to free from the turntable, then take off circlip securing turntable and lift turntable clear of motor unit. When replacing turntable



(W412) COMPONENT LAYOUT—MODEL 4031

MARCONIPHONE



W411a

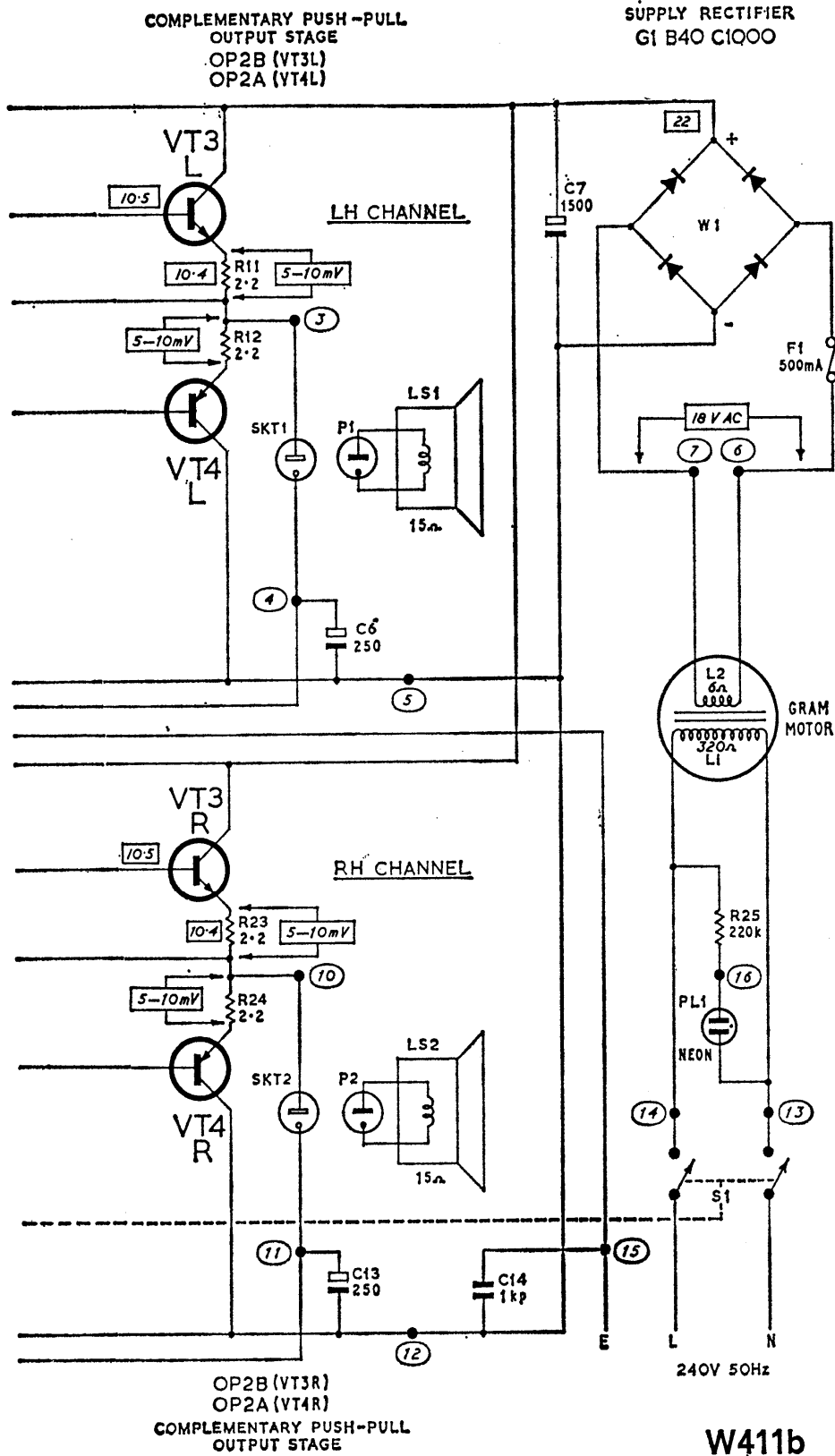
(W411a) CIRCUIT DIAGRAM—MODEL 4031 (Part)

AF18
AF AMPLIFIER AF6
DRIVER

ensure that the circlip engages into a slot on the motor spindle, then replace 45 r.p.m. adaptor.

Stylus Replacement: Place indicator flag in either LP or 78 position and gentle downward pressure and forward movement will release stylus from its mounting. After replacement ensure that the stylus arm is engaged properly in the V-shaped fork of the cartridge.

RADIO SERVICING



(W411b) CIRCUIT DIAGRAM—MODEL 403I (Continued)

Cartridge Replacement: Ease forward a small spring clip at the front end of the cartridge, then detach leads from pins at rear of cartridge—taking note of the colour coding to ensure correct connection to the replacement.

MARCONIPHONE

Replacement Transistors:

VT ₁ L, VT ₁ R	BC148	VT ₃ L, VT ₃ R	AC176
VT ₂ L, VT ₂ R	BC107	VT ₄ L, VT ₄ R	AC128

Circuit Diagram Notes:

Voltage measurements shown in rectangles were taken with a 20,000 ohm per voltmeter and were measured relative to the negative chassis line except where indicated otherwise. Ringed figures denote tag connections on the component sides of the printed board.