

General Description: Record player with 2 watts output.

Changer: B.S.R. Type AA47 four-speed automatic with cartridge type X₃H and turnover stylus ST8.

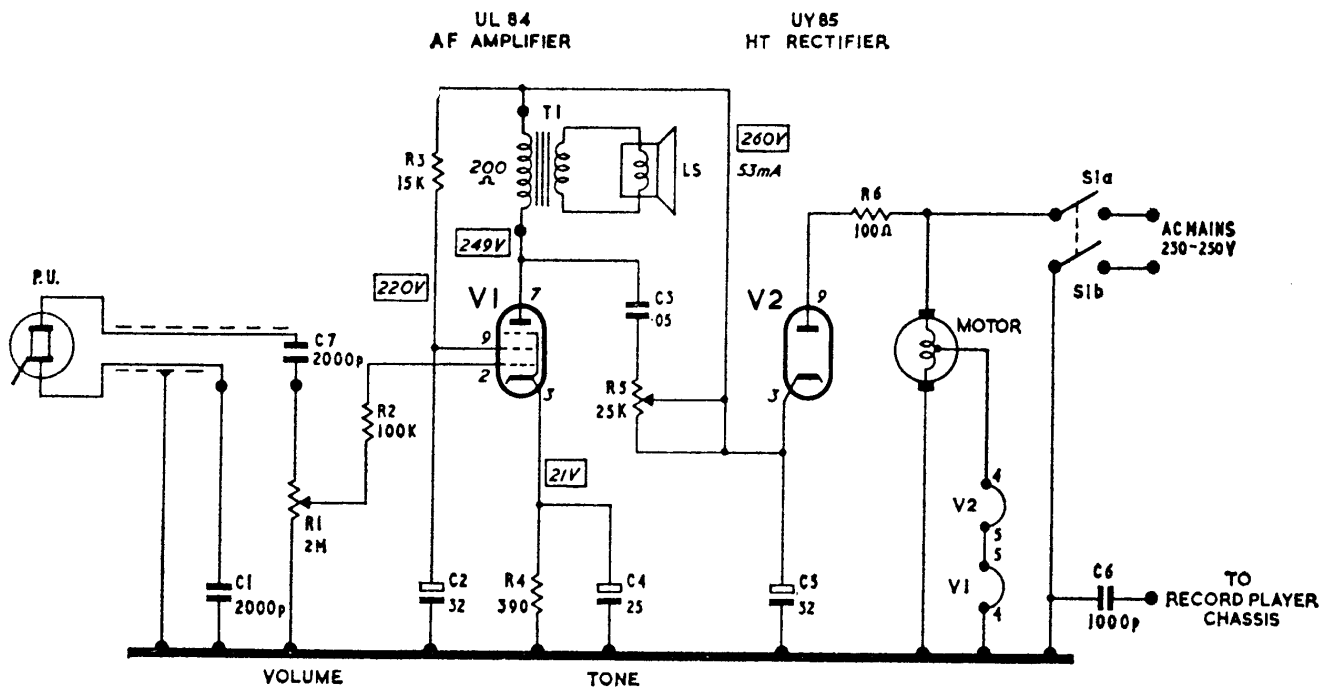
Loudspeaker: Elliptical, 3 ohm speech coil.

A.C. Mains: 230–250 volts, 50 Hz.

Valves: V₁ (10P18/UL84); V₂ (U381/UY85).

Access for Service: Secure the record changer by means of the transit screws and remove the ventilation panel from inside cabinet (three screws). Remove two front feet and also two screws from back of cabinet to release record changer assembly. Lift record changer from left-hand side and place on its right-hand edge on the cabinet floor. The amplifier chassis is secured to the cabinet front panel by three nuts, insulators and washers: remove these and the control knobs, unplug loudspeaker leads then lift amplifier and record changer from cabinet. To separate the assemblies, unsolder motor leads from chassis tag panel and unplug pick-up leads, taking note of connections to ensure correct reassembly.

Circuit Diagram Notes: D.C. voltages were measured with a 20,000 ohms/volt meter and a mains input of 240 volts A.C.



W358

(W358) CIRCUIT DIAGRAM—MODEL 4040