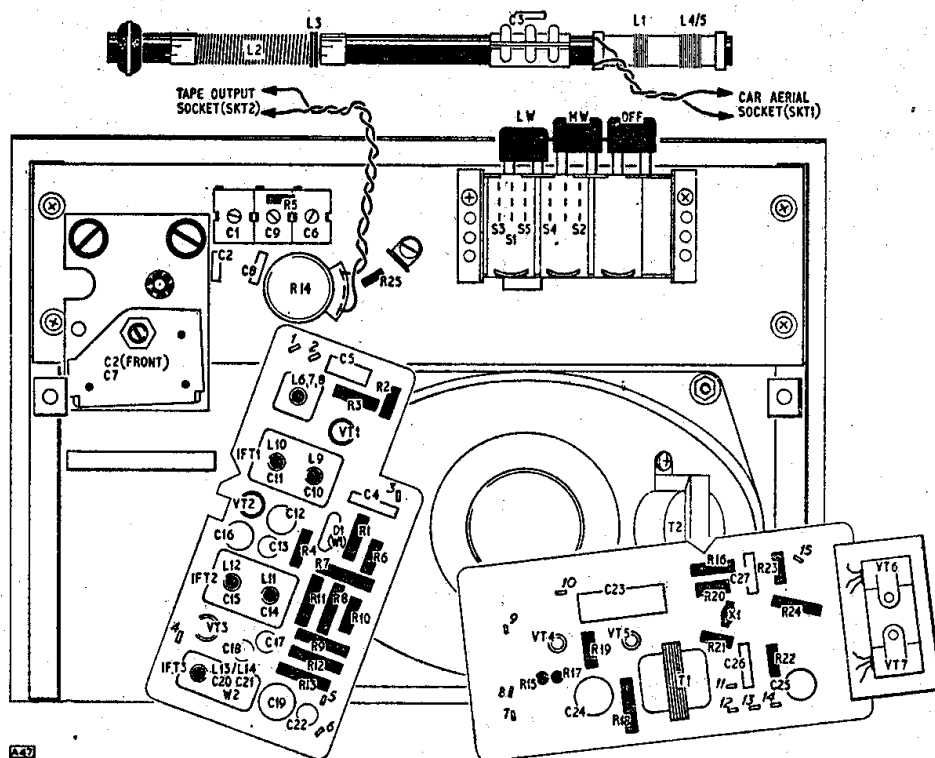


MARCONIPHONE

Model 4110

General Description: Seven-transistor (plus two diodes), M.W./L.W. portable receiver. Loudspeaker impedance 35 ohms. Tape socket impedance 50k minimum. 9-volt battery (PP9, DT9, T6009).



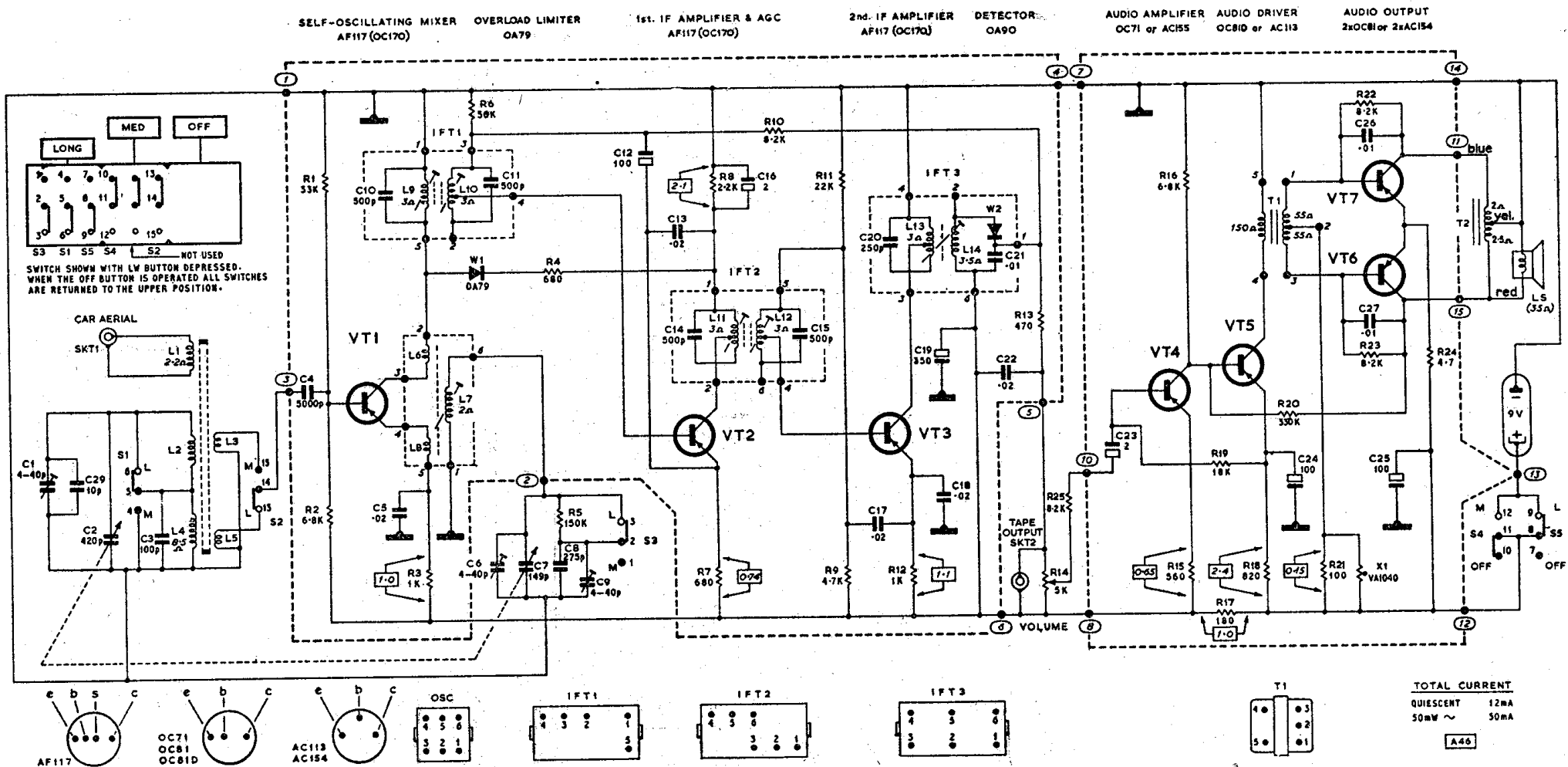
COMPONENT LAY-OUT—FERGUSON MODEL 4110

Semiconductors: (VT₁, 2, 3) AF117; (VT₄) OC71 or AC155; (VT₅) OC81D or AC113; (VT₆, 7) OC81 or AC154; (W₁) OA79 (overload limiter); (W₂) OA90.

Notes: X₁ Varistor VA1040. R₁₅, R₁₆, R₁₇, R₁₈, R₁₉, R₂₁ 5 per cent.

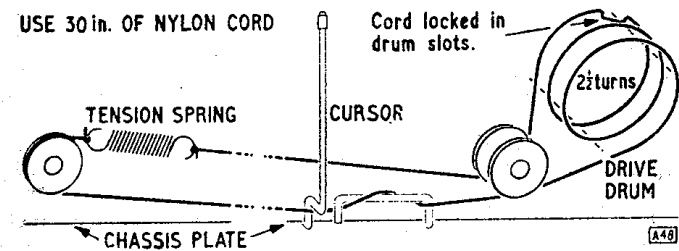
Alignment: I.F. 475 kc/s. (L₁₄/I₃, L₁₂, L₁₁, L₁₀, L₉); M.W. 1500 kc/s. (C₆, C₁); 600 kc/s. (L₇, L₂); L.W. 200 kc/s. (C₉, L₄).

Dismantling: Remove two plated screws and cup washers from back of cabinet and also one from underneath. Take out two woodscrews securing plated trim and pull off control knobs. Cabinet may now be detached from front panel and chassis assembly. For easy access to all components, lay front panel and chassis assembly face downwards and stand cabinet alongside. Printed boards may be lifted free from their plastic retainers within limits of their leads.



Model 4110 Circuit Diagram. Figures in rectangles indicate voltages measured with a 20,000 ohm/volt meter. DC resistance readings are shown against inductances where these are 1 ohm or greater. Ringed figures show printed board tag connecting points.

CIRCUIT DIAGRAM—MARCONIPHONE MODEL 4110



Tuning drive cord replacement