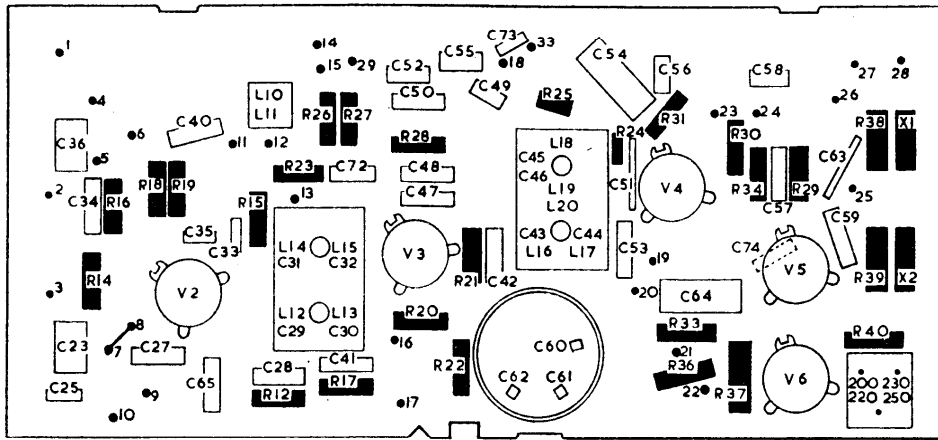


# MARCONIPHONE

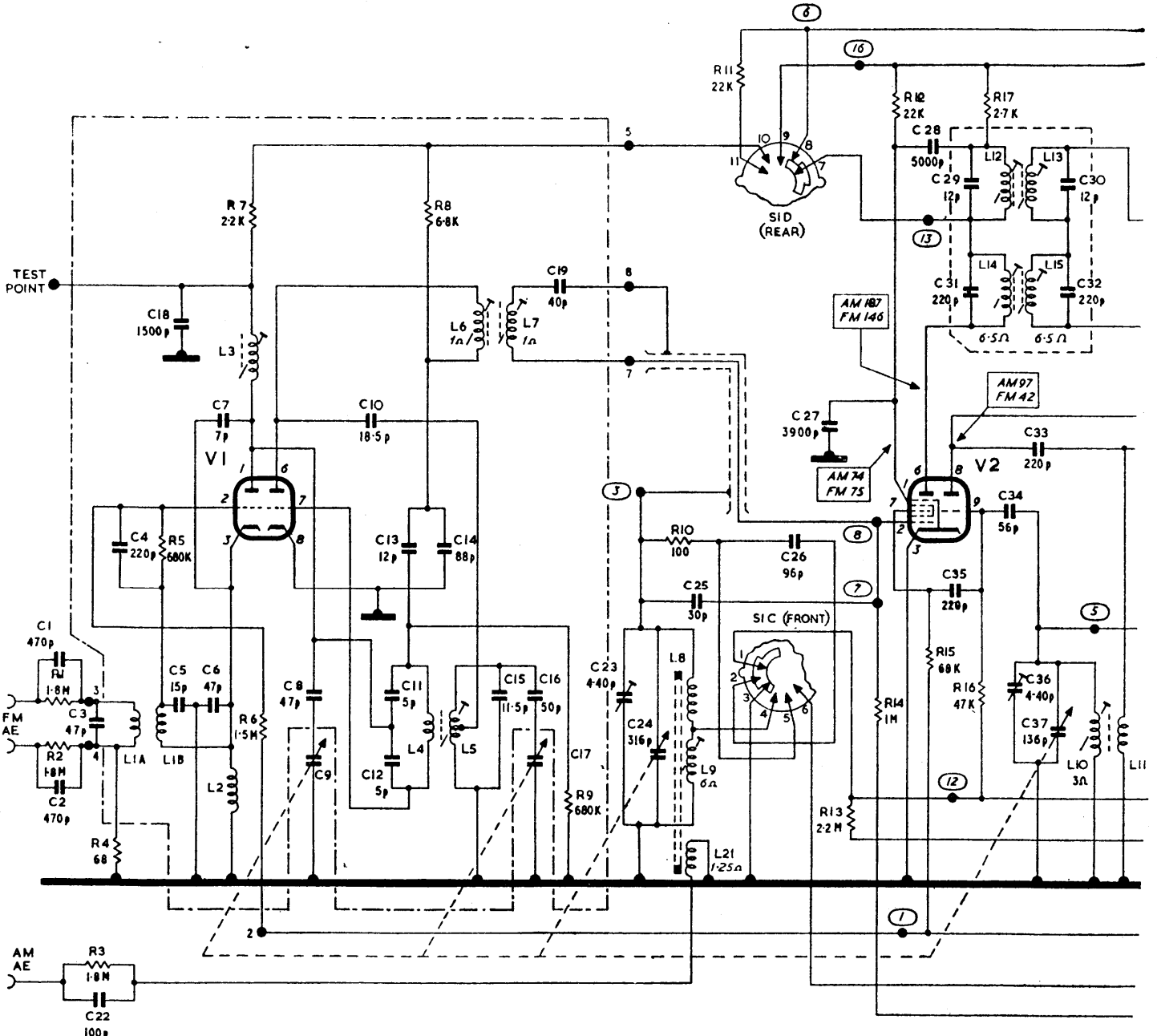
# Models 4300, 4302

**General Description:** Six-valve (including rectifier), M.W./L.W./V.H.F., A.M./F.M. radiograms. Model 4300 has B.S.R. UA14 record unit



UCC85

UCH81

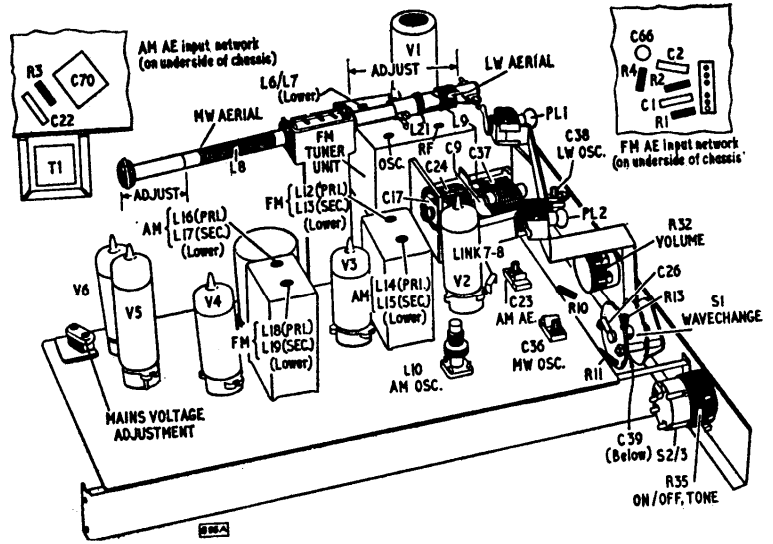


SWITCHES S1A-D SHOWN IN GRAM POSITION. (VIEWED FROM

with TC8M cartridge. Model 4302 has Garrard Autoslim unit with GC2 cartridge. For A.C. mains, 200-250 volts (radio 50 watts).

**Alignment:** I.F. 470 kc/s. (L17, L16, L15, L14). M.W. 600 kc/s. (L10, L8), 1500 kc/s. (C36, C23). L.W. 220 kc/s. (C38, L9). F.M. 10.7 Mc/s. (L18, L19, L13, L12, L6, L7). 92 Mc/s. (L5, L3).

*Tuning Drive Diagrams Over-page*



LAY-OUT DIAGRAM—MODEL 4300

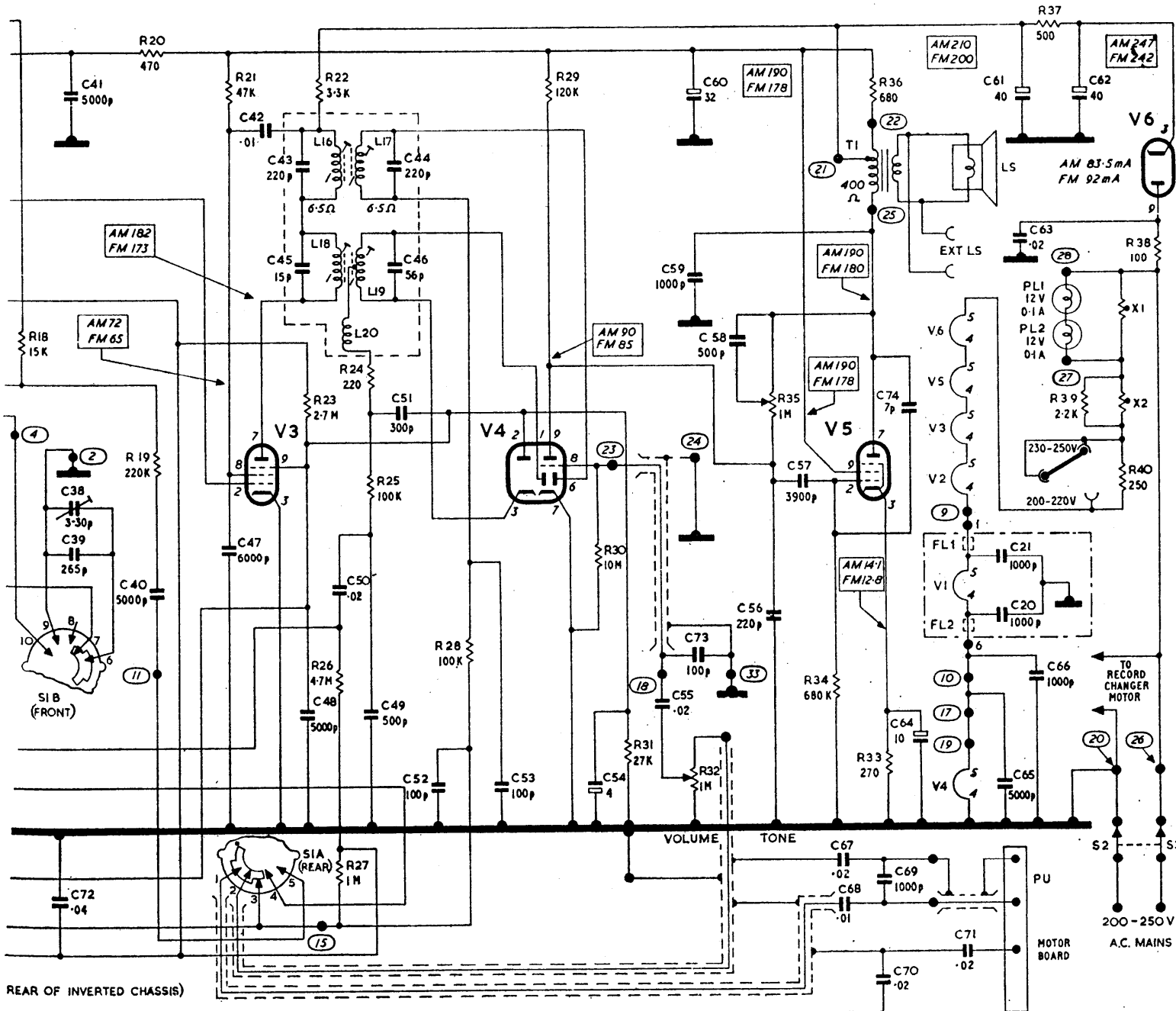
CIRCUIT DIAGRAM—MARCONIPHONE MODELS 4300, 4302

UF89

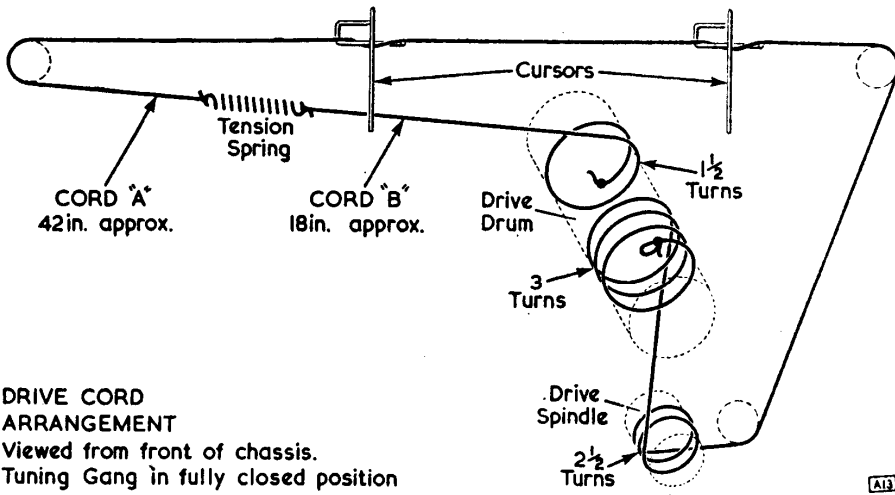
UABC80

UL84

UY85



TUNING DRIVE



DRIVE CORD ARRANGEMENT  
Viewed from front of chassis.  
Tuning Gang in fully closed position

TUNING DRIVE DIAGRAMS

(Left).—MODEL 4300  
(Below).—MODEL 4302

TUNING DRIVE

