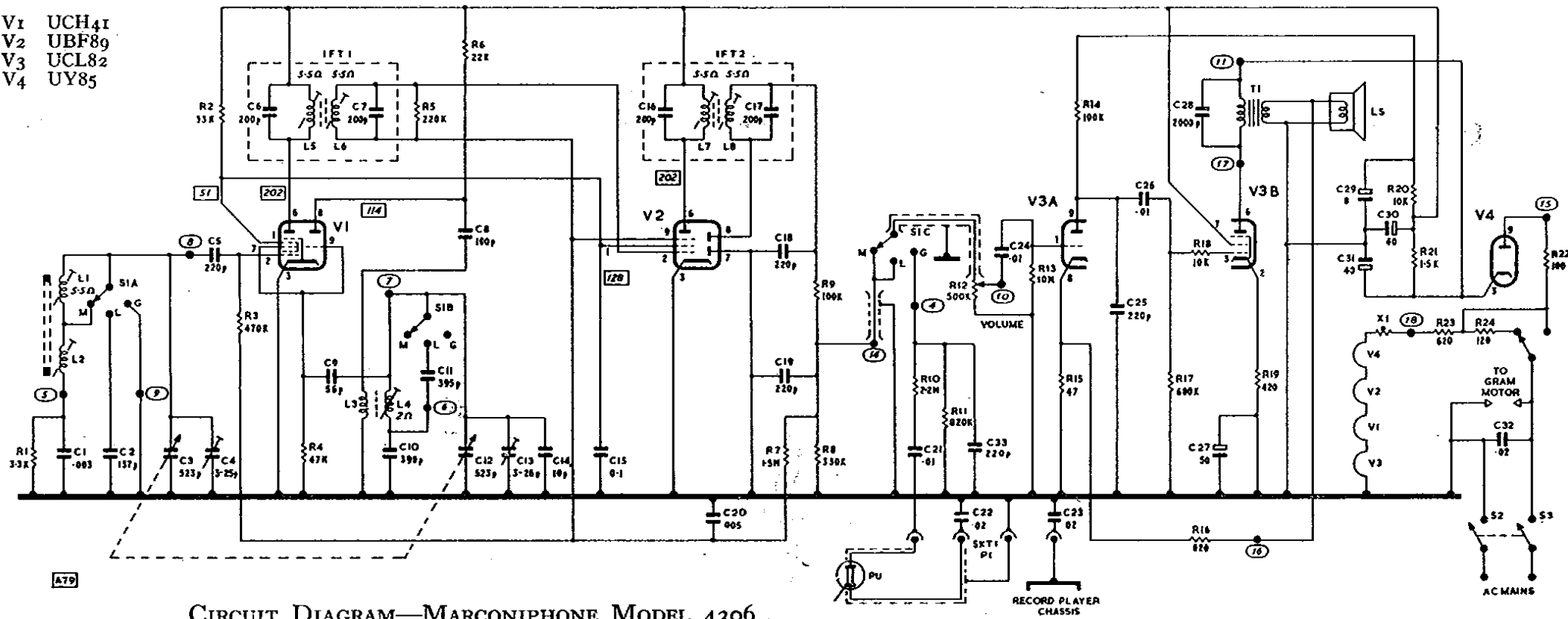
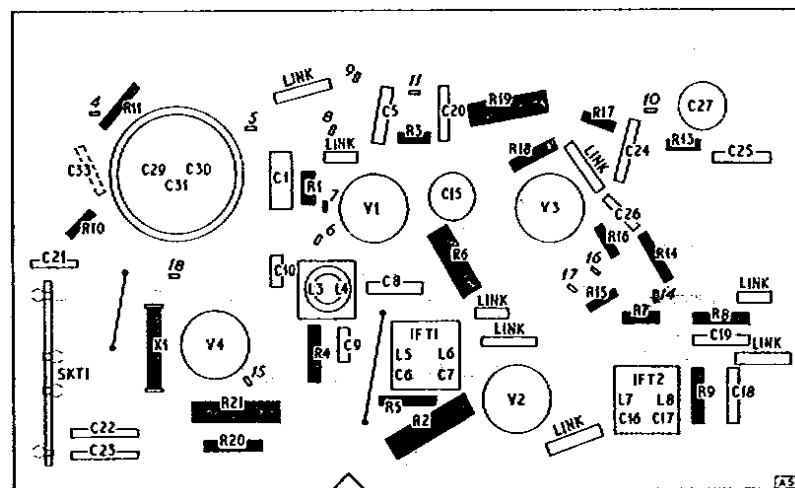
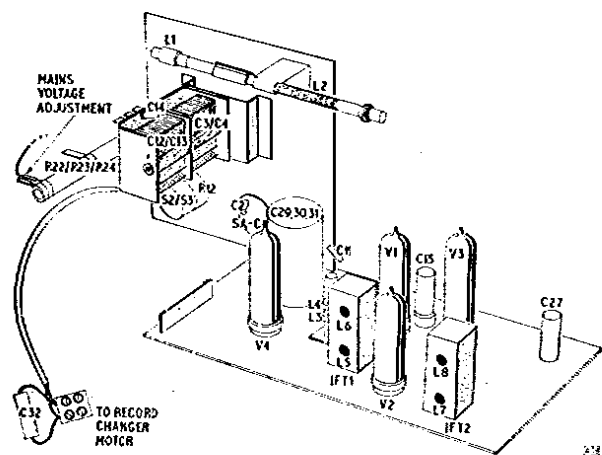


- V1 UCH4I
- V2 UBF89
- V3 UCL82
- V4 UY85



CIRCUIT DIAGRAM—MARCONIPHONE MODEL 4306



**Marconiphone Model 4306:** Four valve two-waveband portable radiogram for operation on 200-250-volt A.C. mains supplies. M.W. 185-557 m., L.W. 1090-1920 m. I.F. 470 kc/s. Garrard Autoslim record-changer.

Voltages (in rectangles) measured with 20,000 ohms/volt meter. Figures in circles are printed circuit tag connections.