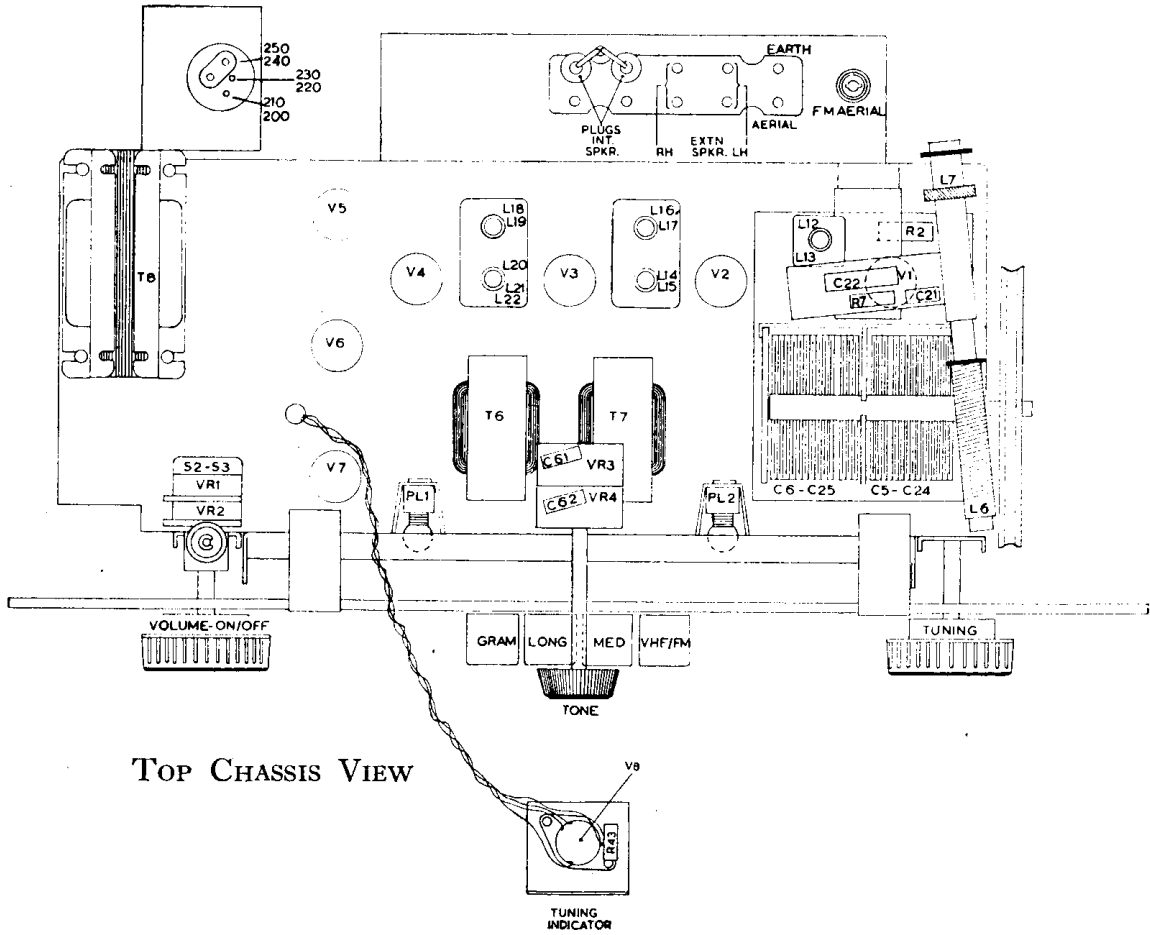


General Description: Eight-valve (including rectifier and tuning indicator), three-waveband, A.M./F.M. stereo radiogram with B.S.R. Type UA14 record changer with TC8S cartridge.

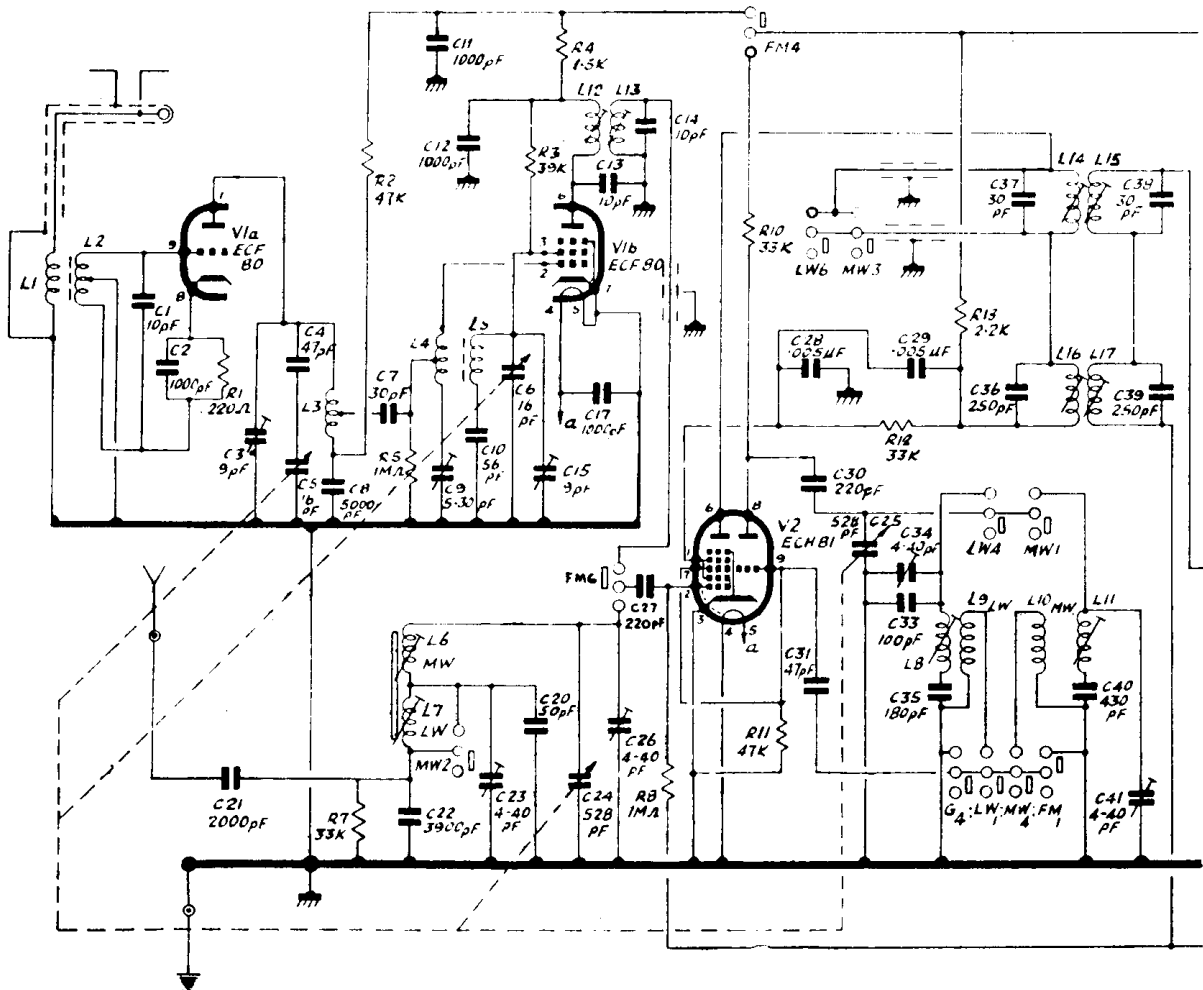
Power Supply: A.C. mains, 190-250 volts, 50 c/s., 80 watts.

Wavebands: L.W. 950-2000 m.; M.W. 185-575 m.; V.H.F. 87.5-100 Mc/s.

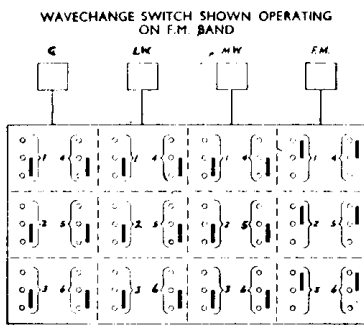
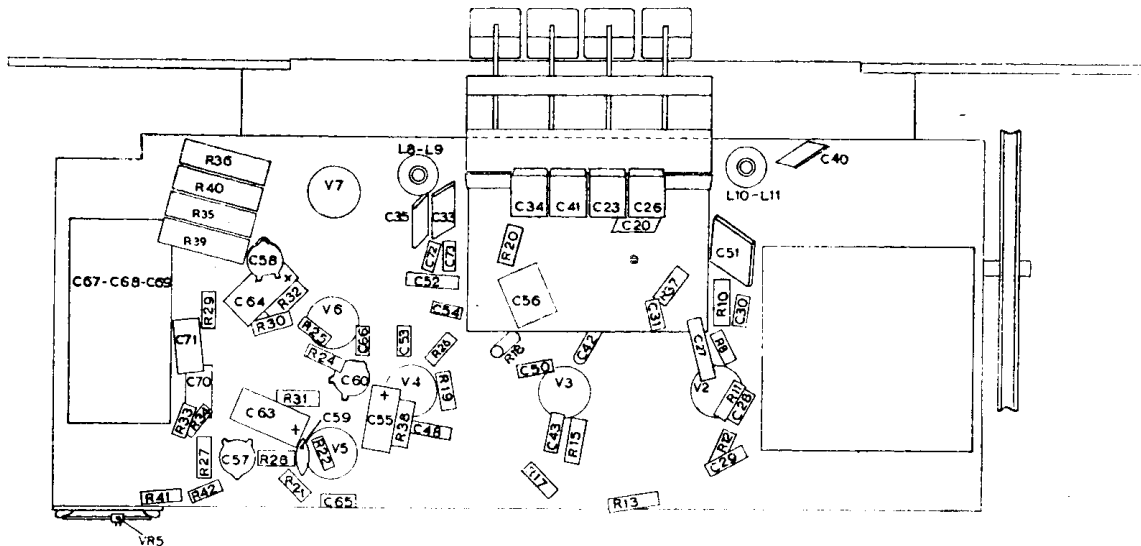
Valves: (V1) ECF80; (V2) ECH81; (V3) EBF89; (V4) EB91; (V5) ECL82; (V6) ECL82; (V7) EZ81; (V8) EM81.



TOP CHASSIS VIEW



CIRCUIT DIAGRAM—



WAVECHANGE SWITCH SI UNDERSIDE VIEW

UNDER CHASSIS VIEW

(Left) SWITCH CODING

(Right) V.H.F. TUNER UNIT

