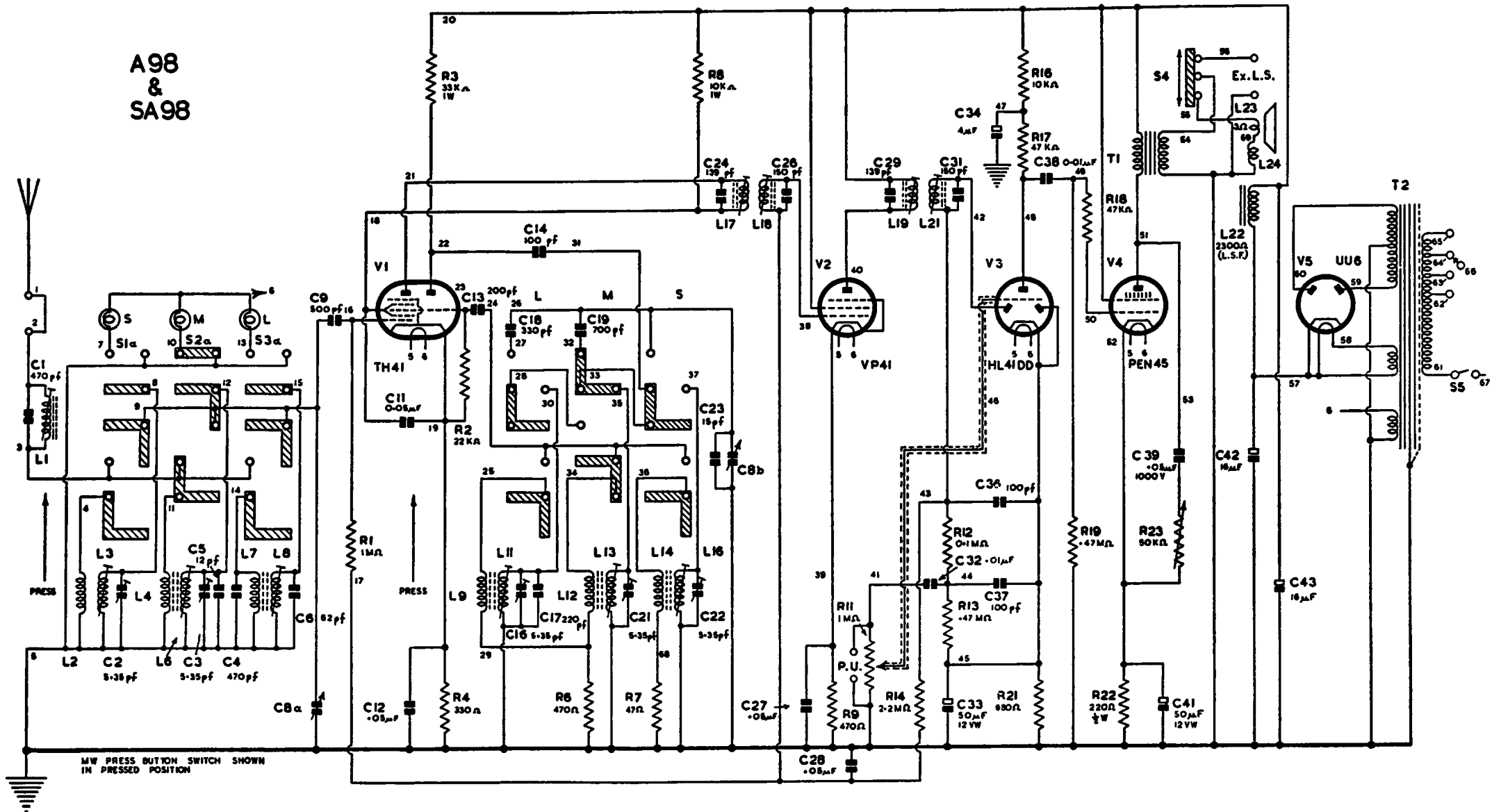


A98 & SA98



RESISTANCE OF COILS

COILS	L1	L2	L6	L7	L8	L9	L11	L12	L13	L17-21	T1 Prim	T1 Sec	T2 Prim	H.T. Sec	T2 Screen
OHMS	3	0.6	1.2	24	13	1.0	2.4	0.9	1.6	6	300	0.15	6 + 10 + 2 + 3	160 + 165	2.5