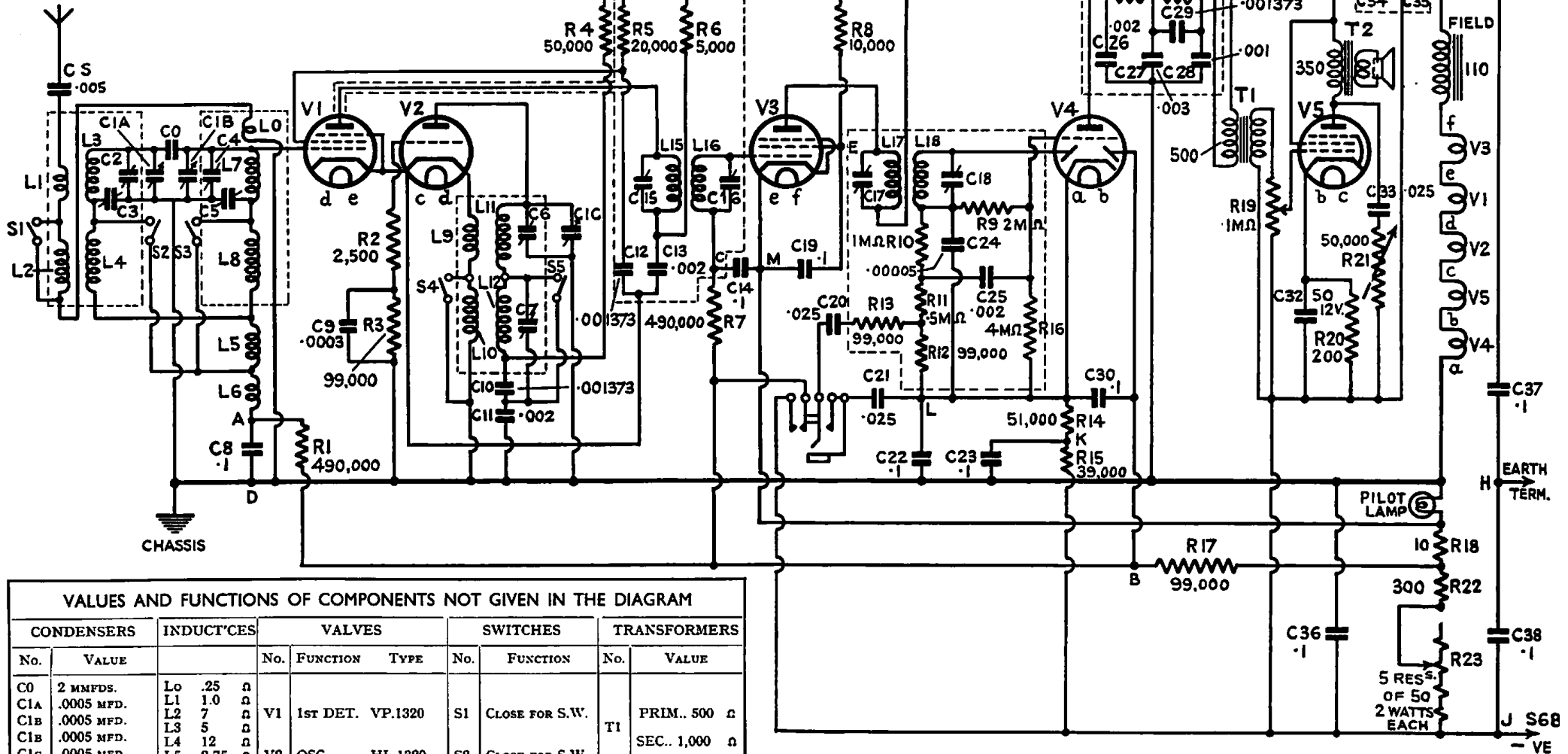


D24 Receiver
Service
Instructions

D24-1

All resistances in ohms and capacities in microfarads unless otherwise stated.



VALUES AND FUNCTIONS OF COMPONENTS NOT GIVEN IN THE DIAGRAM											
CONDENSERS		INDUCTANCES		VALVES		SWITCHES		TRANSFORMERS			
No.	VALUE	No.	FUNCTION	TYPE	No.	FUNCTION	No.	VALUE			
C0	2 MMFDS.	L0	.25	Ω	V1	1ST DET.	VP.1320	S1	CLOSE FOR S.W.	T1	PRIM.. 500 Ω
C1A	.0005 MFD.	L1	1.0	Ω							
C1B	.0005 MFD.	L2	7	Ω							
C1C	.0005 MFD.	L3	5	Ω	V2	OSC.	HL.1320	S2	CLOSE FOR S.W.	T2	SEC.. 1,000 Ω
C2	5/70 MMFDS.	L4	12	Ω							
C3	5/70 MMFDS.	L5	2.75	Ω							
C4	5/70 MMFDS.	L6	0.75	Ω	V3	I.F.	V.P.1320	S3	CLOSE FOR S.W.	T2	PRIM..350 Ω
C5	5/70 MMFDS.	L7	5	Ω							
C6	5/70 MMFDS.	L8	12	Ω							
C7	5/70 MMFDS.	L9	1	Ω	V4	2ND DET.	HL.DD 1320	S4	CLOSE FOR S.W.	T2	SEC..0.25 Ω
C8	.1	L10	2.5	Ω							
C9	.0003	L11	4	Ω							
C10	.0003	L12	8.5	Ω	V5	OUTPUT PEN.	3520	S5	CLOSE FOR S.W.	T2	SEC..0.25 Ω
C11	.002	L13	40	Ω							
C12	.002	L14	40	Ω							
C13	.002	L15	40	Ω	V5	OUTPUT PEN.	3520	S6	CLOSE FOR O.N.	T2	SEC..0.25 Ω
C14	.1	L16	40	Ω							
C15	.0005	L17	40	Ω							
C16	.0005	L18	40	Ω	V5	OUTPUT PEN.	3520	S6	CLOSE FOR O.N.	T2	SEC..0.25 Ω
C17	.0005	L19	450	Ω							
C18	.0005	L20	370	Ω							

D24 CIRCUIT DIAGRAM AND DATA

MURPHY RADIO LTD., WELWYN GARDEN CITY, HERTS.