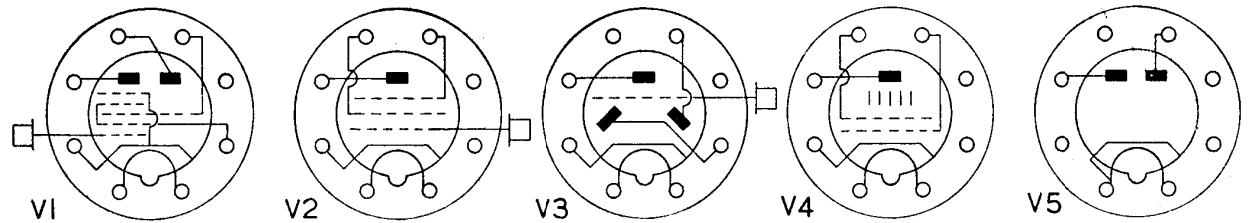
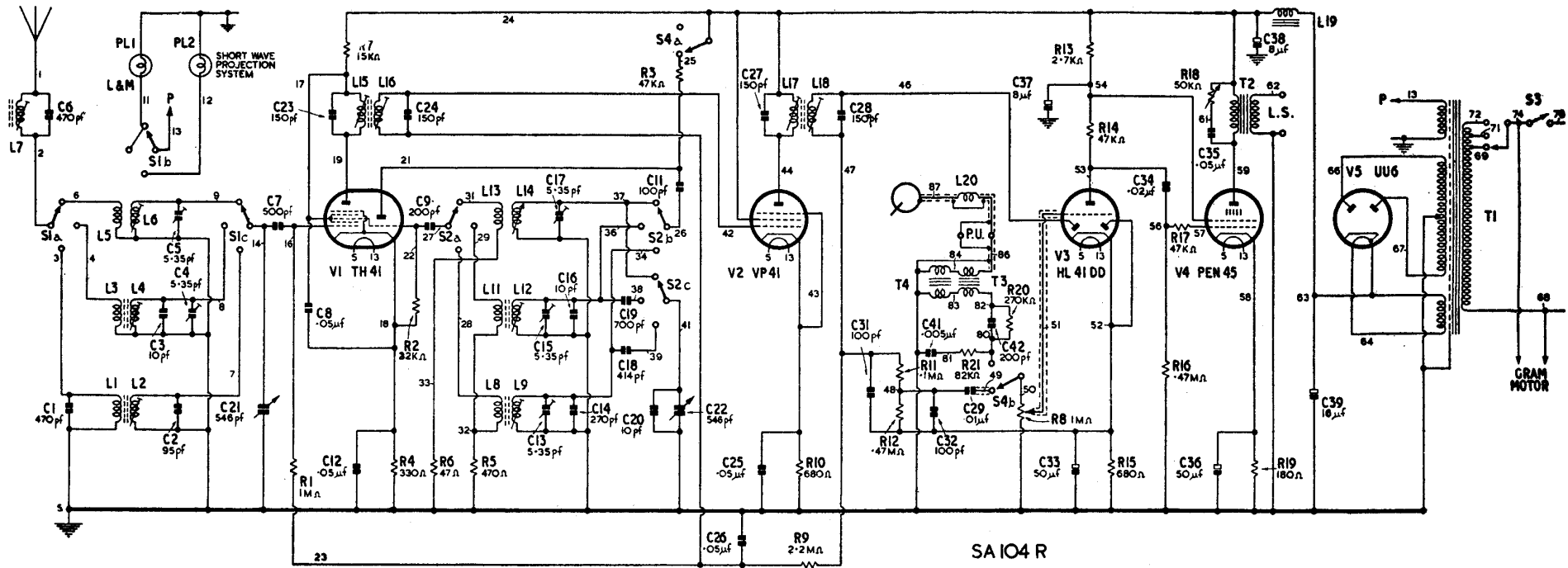


SAI04R



SAI04R RECEIVER CIRCUIT

ISSUE 1

Full details of the valves, pilot lamps, wave-range coverage, etc., will be found in the Operating Instructions accompanying the receiver. The I.F. circuits are tuned to 465 Kc/s.

Since the drawing was produced the following alterations in values have been made. C41 is now 0.0015mfd; R20 is now 0.56MΩ; and R21 is now 0.47MΩ.

Issued by

MURPHY RADIO LTD, WELWYN GARDEN CITY, HERTS, ENGLAND