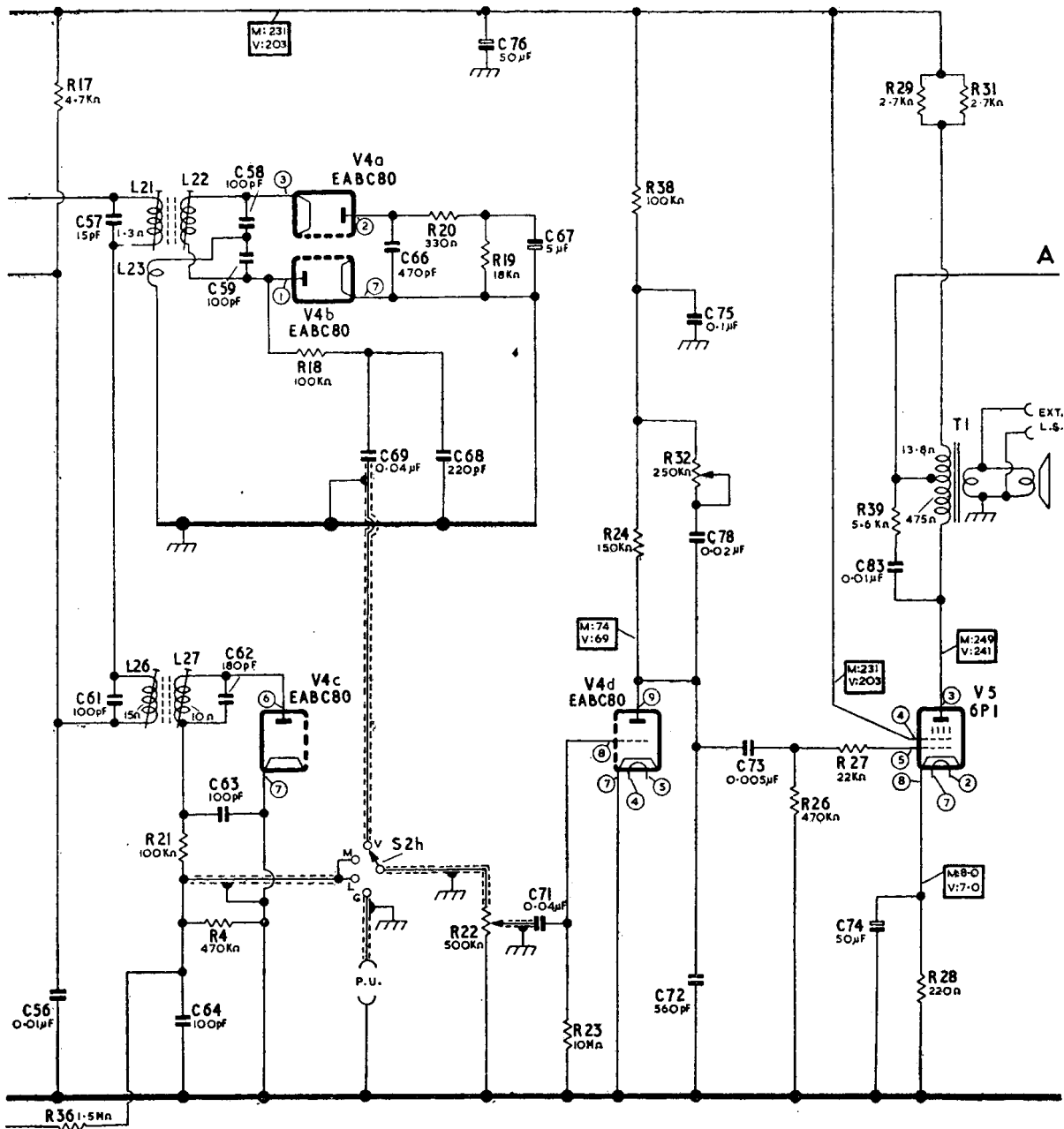


CIRCUIT DIAGRAM—
(Power Supply is

MODEL A262

General Description : Six-valve (including rectifier), three-waveband (L.W./M.W./V.H.F.), combined A.M./F.M. table receiver. Internal V.H.F. compressed dipole used also as capacitance aerial on A.M. bands with provision for external aerials. External loudspeaker and pick-up sockets.



MURPHY MODEL A262
shown on page 146)

Power Supply : A.C. mains, 200–250 volts. Chassis isolated from mains supply.

Valve Functions : (V₁) ECC85 (F.M. only, grounded-grid R.F. amplifier and self-oscillating mixer); (V₂) 6C9 (A.M. frequency changer; F.M. heptode section only, I.F. amplifier); (V₃) 6F15 (dual I.F. amplifier); (V₄) EABC80 (triode A.F. amplifier, A.M. one diode as signal detector/A.G.C. rectifier, F.M. two diodes as ratio detector); (V₅) 6P1 (output); (V₆) UU9 (full-wave rectifier).

Fuse : Temperature fuse fitted to mains transformer.

Pilot Lamps : Two 6.5 volts, 0.3 amp.

