

**MURPHY****1955-56 RANGE**

---

In the following pages, circuit diagrams are given for models in the 1955-56 range of Murphy radio receivers. Detailed servicing information on these models is restricted by the Company to its accredited agents.

**MODEL U212**

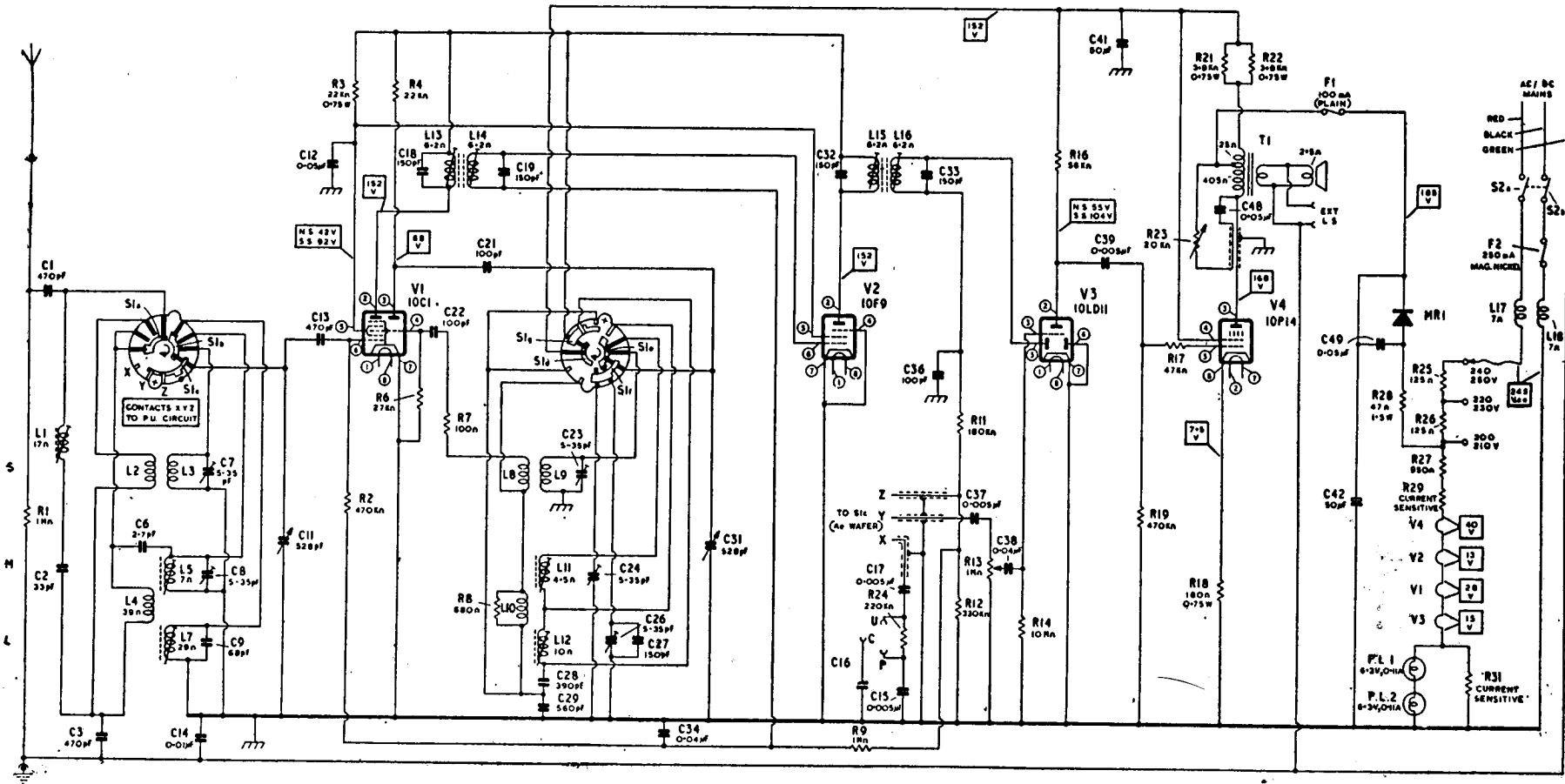
**General Notes :** Four-valve (plus metal rectifier), three-waveband, table, superheterodyne for A.C./D.C. mains, 200-250 volts. Pick-up and external loudspeaker sockets, isolated from the chassis, which may be live, are fitted. Thermistors are included to protect the valve heaters from surge currents, and to enable the dial lights to operate at full efficiency. A 250-mA. mag.-nickel fuse is fitted in the mains-input circuit: note that standard fuses of this rating would be liable to open on switching surges.

**Valves :** (V1) 10C1; (V2) 10F9; (V3) 10LD11; (V4) 10P14.

**Dial Lamps :** Two 6.3 volts, 0.11 amp.

**Intermediate Frequency :** 470 kc/s.

MURPHY



C16 should be 0.01μF

SUBJECT TO ALTERATION WITHOUT NOTICE ISSUE 2.

CIRCUIT DIAGRAM—MURPHY MODEL U212