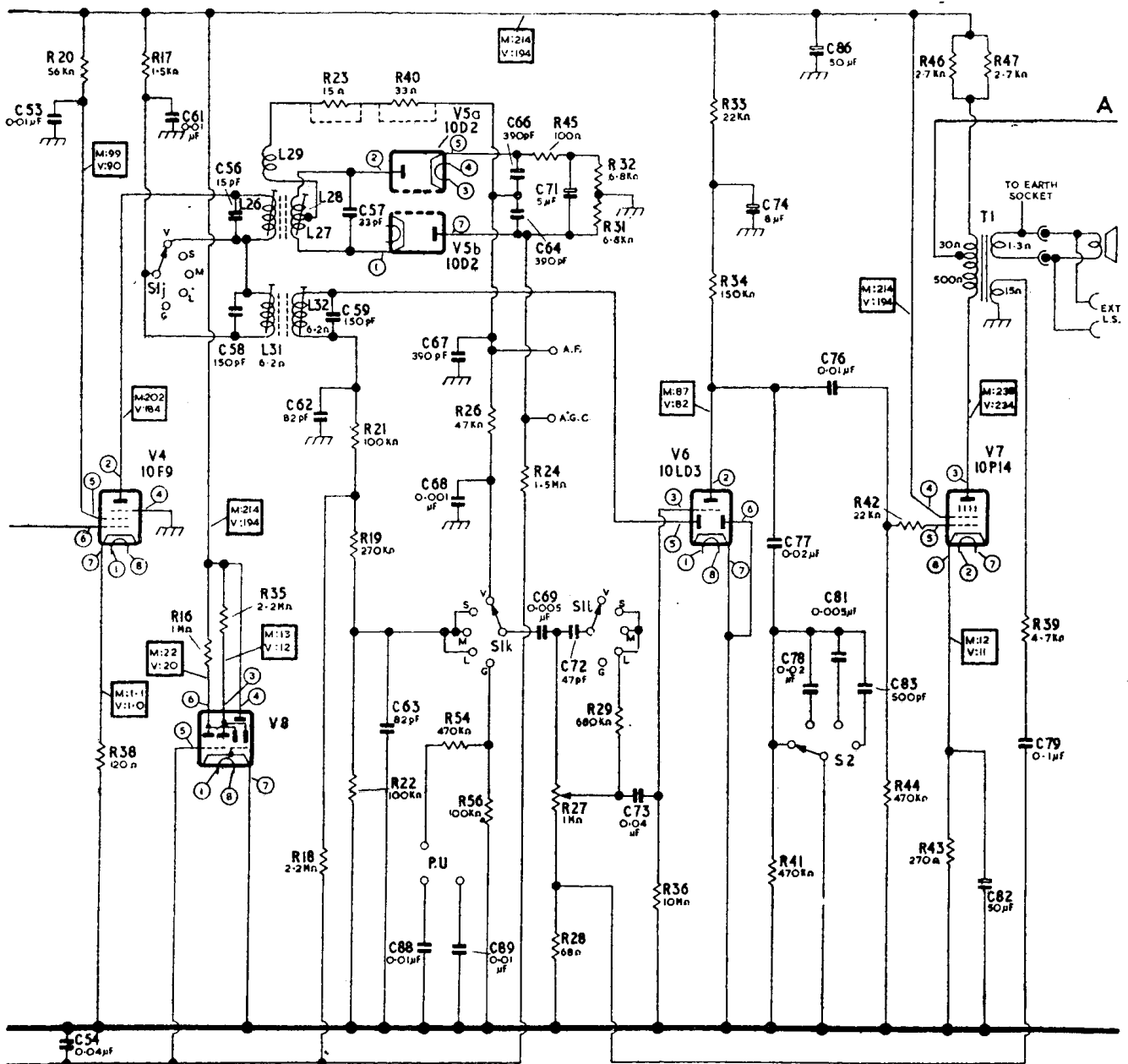


CIRCUIT DIAGRAM—  
(Power Supply is

### MODEL U242

**General Description :** Eight-valve (including tuning indicator), four-waveband (L.W./M.W./S.W./V.H.F.), combined A.M./F.M. table receiver. Internal V.H.F. compressed dipole (optional use as capacitance aerial on A.M. bands) and provision for external aerials. Extension loudspeaker and P.U. sockets.

**Power Supply :** A.C./D.C. mains, 200–250 volts. Chassis connected directly to one side of mains supply.



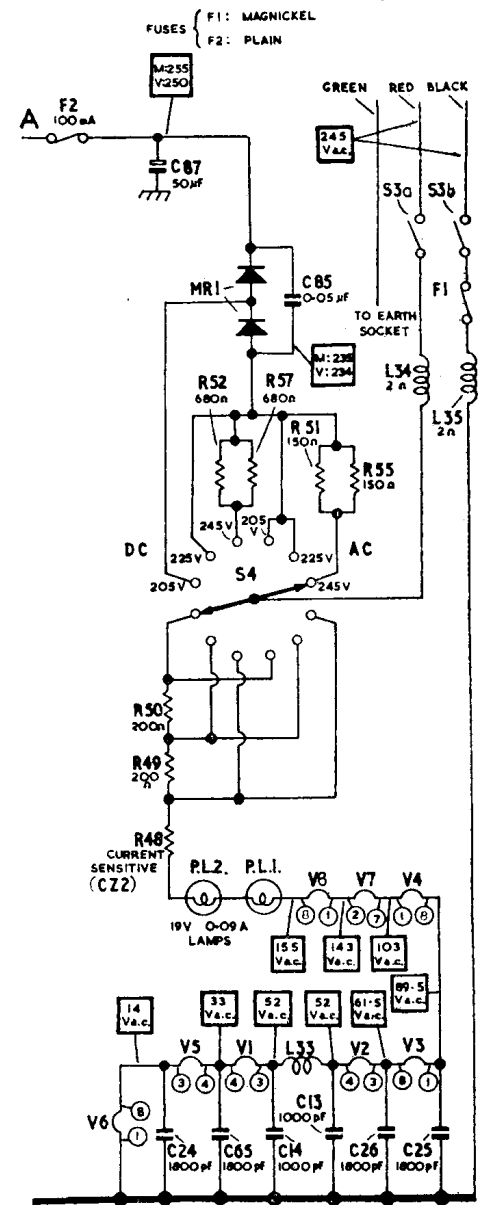
MURPHY MODEL U242  
shown on page 146)

**Valve Functions :** (V1) 10L1 (F.M. only, grounded-grid R.F. amplifier); (V2) UC92 (F.M. only, self-oscillating mixer); (V3) 10C1 (A.M. frequency changer; F.M. heptode section only, I.F. amplifier); (V4) 10F9 (dual I.F. amplifier); (V5) 10D2 (F.M. only, ratio detector); (V6) 10LD3 (triode A.F. amplifier, diode A.M. signal detector/A.G.C. rectifier); (V7) 10P14 (output); (V8) 10M2 (tuning indicator).

**Fuses :** F1, 500-mA. magnickel fuse in mains lead; F2 100-mA. plain fuse in H.T. line.

**Pilot Lamps :** Two 19 volts, 0.097 amp.

**Notes :** C22 is anti-radiation trimmer. L4-C5 is an I.F. rejection trap tuned to 470 kc/s.



MODEL U242