

General Description: Four-valve (including rectifier), two-wayband, small table receiver.

Power Supply: A.C./D.C. mains, 200-250 volts, about 40 watts.

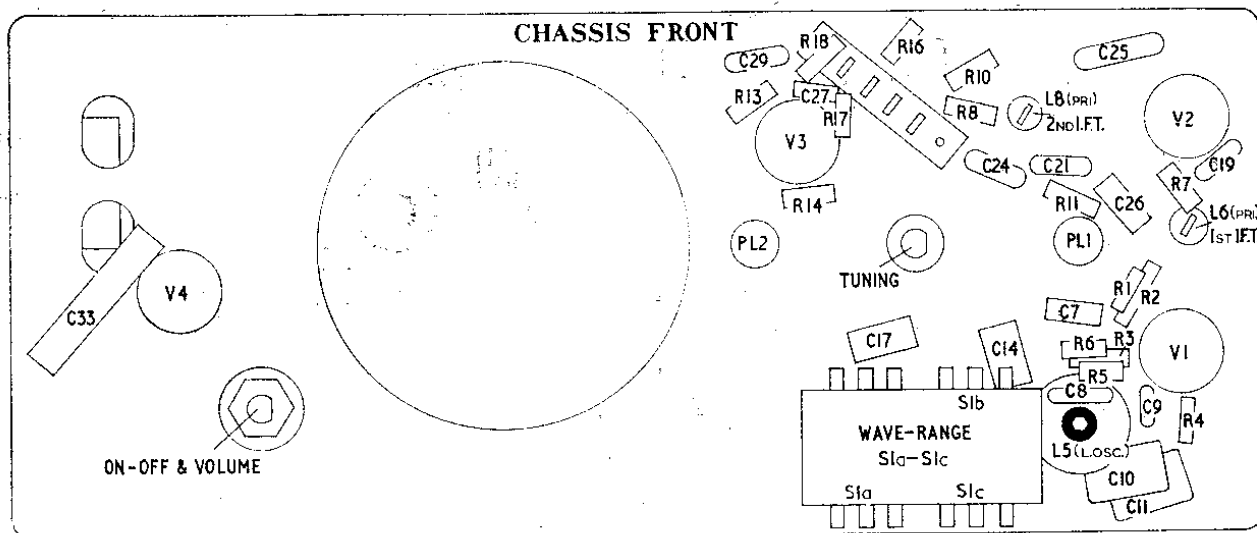
Wavebands: M.W. 187-571 m.; L.W. 1000-2000 m.

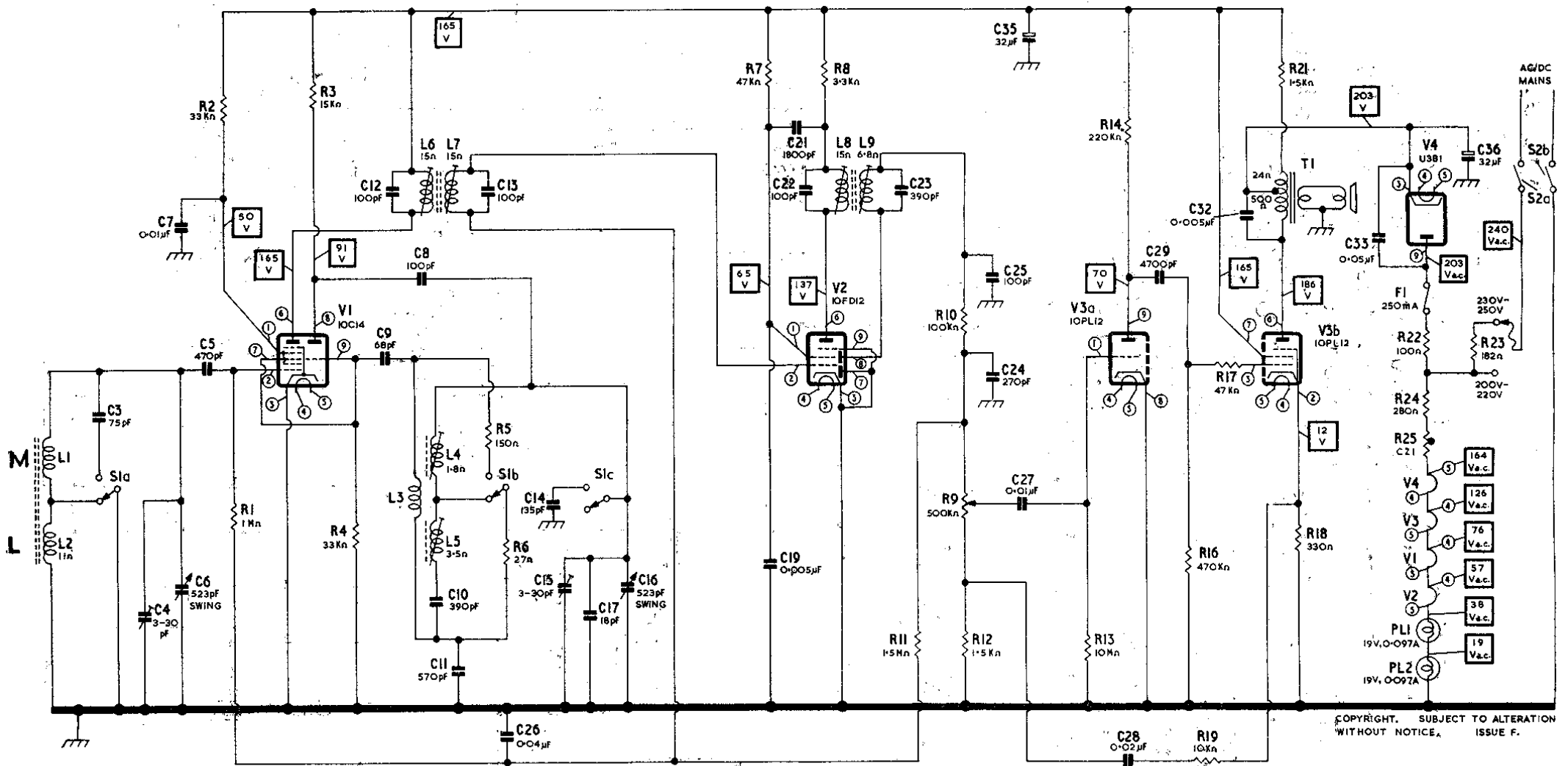
Valves: (V1) 10C14; (V2) 10FD12; (V3) 10PL12; (V4) U381. Alternative types: UCH81, UBF89, UCL82, UY85. Voltages shown on circuit diagram measured with 20,000 ohms/volt meter under no-signal conditions.

Notes: Dial lamps 19-volt, 0.097-amp., M.E.S.

Alignment Frequencies: I.F. 470 kc/s. (IFT₂, 1). M.W. 600 kc/s. (L₄, L₁); 1364 kc/s. (C₁₅, C₄). L.W. 176.5 kc/s. (L₅, L₂).

Control Knobs: Do not attempt to pull knobs off their spindles, as they are fastened by a special spring clip which fastens when pulled. To remove a knob, press flat end of spring clip towards knob and simultaneously ease knob away from receiver. Use narrow bladed tool and pass it through hole in chassis just beside control. When removing tuning knob, it is advisable to have gang nearly closed; tuning pointer can be gently pushed to one side, if required. It is suggested that volume knob be removed first to gain experience, as this has more readily accessible clip.





COPYRIGHT. SUBJECT TO ALTERATION WITHOUT NOTICE, ISSUE F.

CIRCUIT DIAGRAM—MURPHY MODEL U704