

NATIONAL**Model R-203L**

General Description: Seven-transistor (plus two crystal diodes) M.W./L.W. portable receiver. Circuit features include: thermistor used as temperature compensation, earphone or extension speaker socket and negative feedback applied to push-pull audio amplifier. *Power Supplies:* Four penlight batteries, consumption 90 mA. maximum. *Output Power:* Approximately 200 mW. *Intermediate Frequency:* 455 kc/s.

Diodes: D₁ and D₂ (OA90).

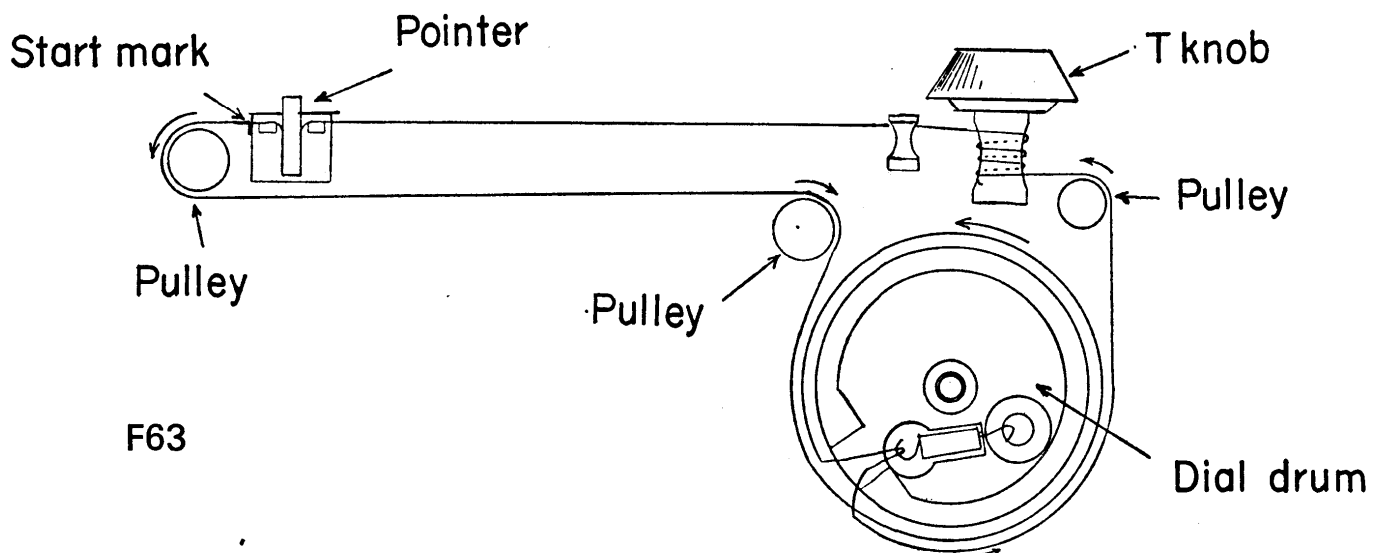
Thermistor: TH (MT-250).

Transistors: TR₁ (2SA102). TR₂ and TR₃ (2SA101). TR₄ (2SB173). TR₅ (2SB171). TR₆ and TR₇ (2SB172).

Sensitivity: M.W. 100 uV. per metre for 50 mW. L.W. 300 uV. per metre for 50 mW.

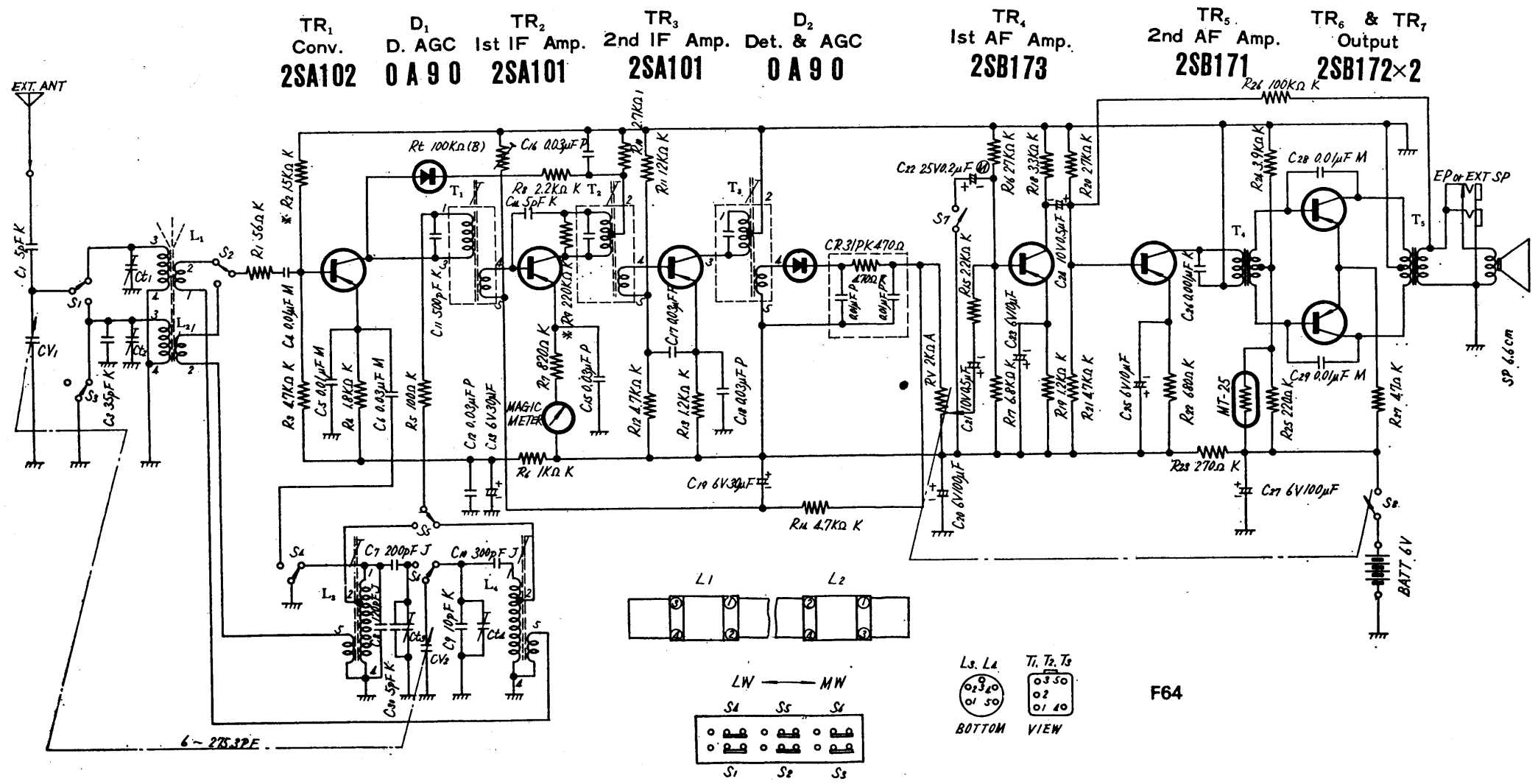
Coils and Transformers:

L ₁ , L ₂	AZP42014-PEE-1	Ferrite rod antenna coil
L ₃	ZO06-DP-1	L.W. Oscillator coil
L ₄	AO06-DX-2	M.W. Oscillator coil
T ₁	TI-V ₁ D	1st I.F. Transformer
T ₂	TI-Z ₂ D	2nd I.F. Transformer
T ₃	TI-Z ₃ D	3rd I.F. Transformer
T ₄	TT-59S or TT-59L	Input Transformer
T ₅	TT-64S or TT-64L	Output Transformer



1. Arrow marks indicate the order of stringing the dial cord.
2. Variable tuning capacitor is positioned at maximum capacity.
3. Dial cord length is $23\frac{1}{2}$ in.

DRIVE CORD



CIRCUIT DIAGRAM—NATIONAL MODEL R-203L