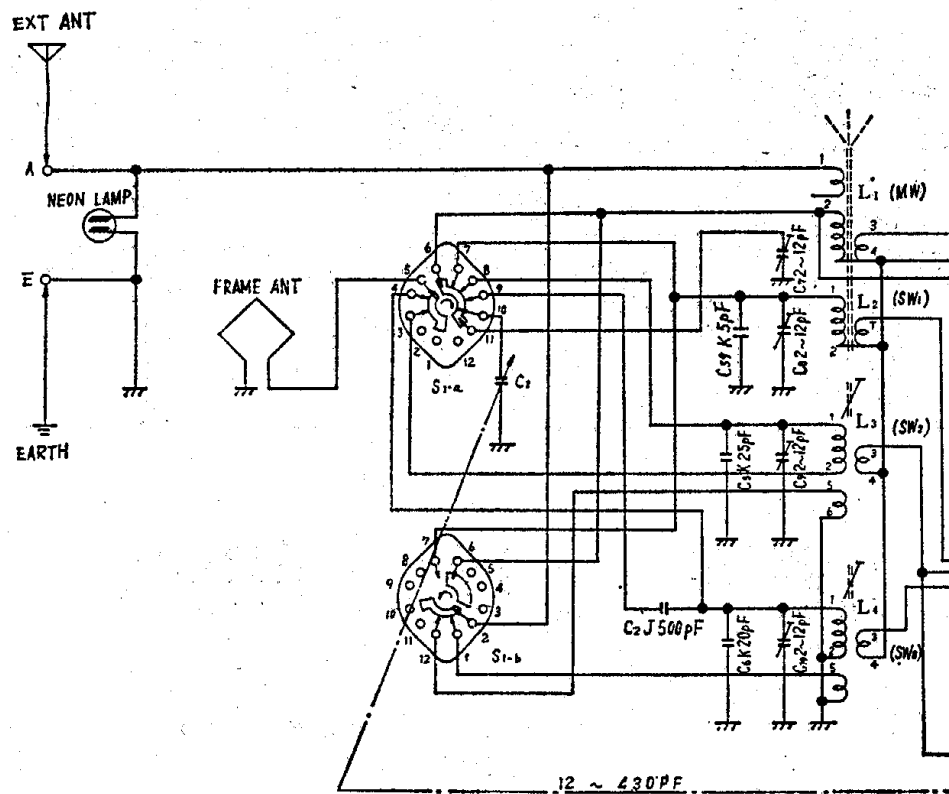
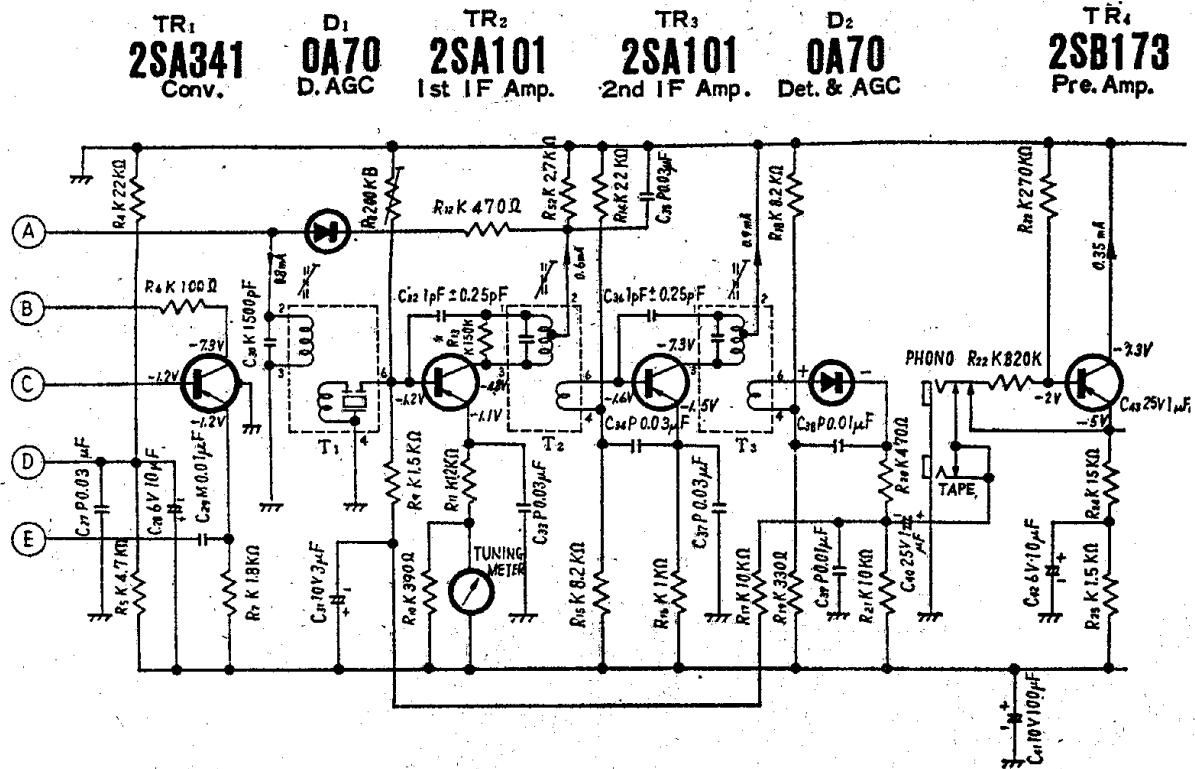


**General Description:** Nine-transistor (plus two diodes), four-waveband portable receiver.

**Power Supply:** 9-volt (six  $1\frac{1}{2}$ -volt batteries).

**Wavebands:** M.W. 571-187 m.; S.W.1. 187-66.7 m.; S.W.2. 66.7-25 m.; S.W.3. 25-11.5 m.



## Intermediate Frequency: 470 kc/s.

**Dismantling:** Open the cover of the battery compartment and remove two screws from the cabinet back cover. Remove the six knobs from the cabinet and unscrew the five red painted chassis mounting screws. Remove tuning meter and dial lamp switch, unsolder speaker and battery leads. Remove chassis.

