

PHILCO

Model 122

General Description: Four-valve (including rectifier), two-waveband, small table receiver.

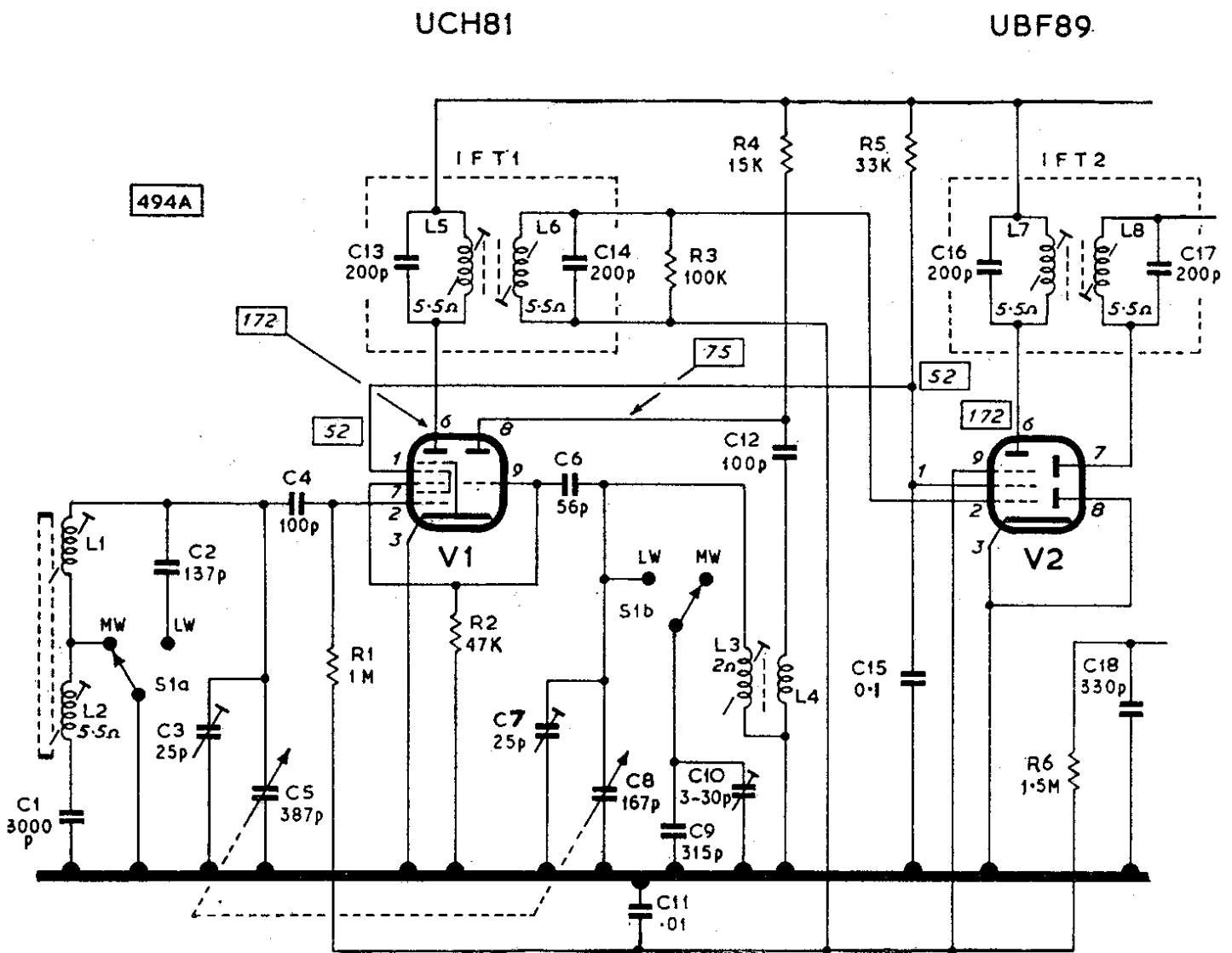
Power Supply: A.C./D.C. mains, 200–250 volts (A.C. 40–60 c/s.), 35 watts.

Wavebands: M.W. 180–565 m.; L.W. 1090–1940 m.

Valves: (V₁) UCH81; (V₂) UBF89; (V₃) UCL82; (V₄) UY85. Voltages shown on circuit diagram, measured with 20,000-ohms/volt meter.

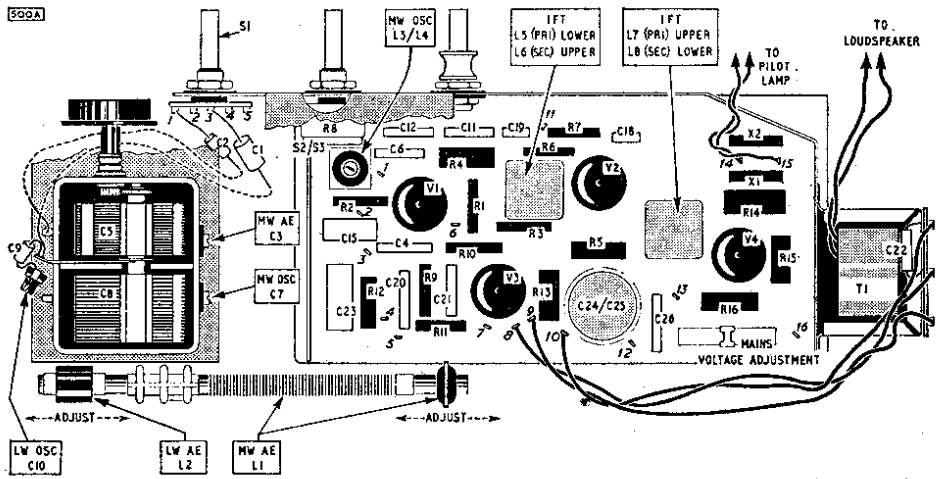
Dismantling: Turn tuning control fully clockwise. Pull off control knobs and remove cabinet back. Detach ferrite rod aerial from inside cabinet. Unsolder speaker leads. Loosen clamps securing each end of scale reflector. Remove chassis securing screws, one each side of volume control. Withdraw chassis. When replacing chassis ensure that right-hand edge of printed board is located in groove in supporting pillar at rear of cabinet.

Notes: C_{24/25} is secured on panel by means of cliplugs which also make electrical connections to printed circuit. Use heavier type iron to remove



CIRCUIT DIAGRAM—

this component, applying heat and pressure to the lugs and not to the printed circuit so that when solder melts, the lugs are pressed clear of their connecting points. A small stiff-haired brush will sometimes assist in breaking these connections.



Alignment Frequencies: I.F. 470 kc/s. (L8, L7, L6, L5). M.W. 580 kc/s. (L3, L1); 1500 kc/s. (C7, C3). L.W. 220 kc/s. (L2, C10). In Schedule A and B models where C10 is not fitted, check for maximum output near L.W. calibration marker and then adjust L2.

Component Notes: In Schedule A and B models C10 is not fitted and C9 is 342 pF. C20 and C26 350 v. A.C. rating. R4, R12, R13 are 1W. R5 1/2 W. R14 5 per cent., 5W. R15, R16 5 per cent., 3W. C1 5 per cent., C2, C9 2 per cent. X1, 2 VA1010.

UCL82

UY85

