

PHILCO

"TRIO"

Model 50

General Description: Consolette auto-change record reproducer with push-pull output stage and separate bass and treble tone controls.

Power Supply: A.C. mains, 200-250 volts, 50 c/s.

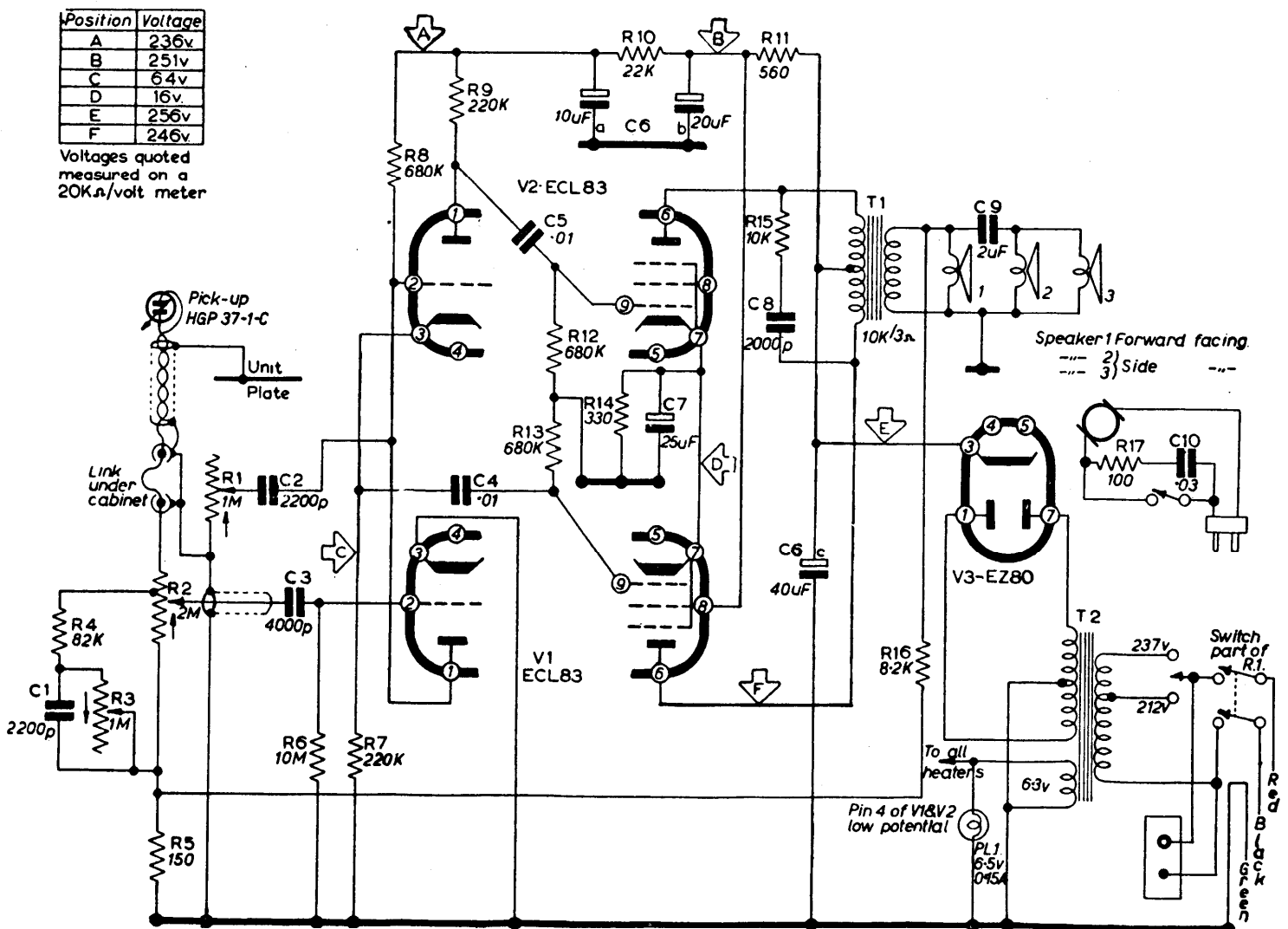
Valves: (V₁ and V₂) ECL83; (V₃) EZ80. Triode section of V₁ is directly coupled to triode section of V₂ which functions at phase splitter. Pentode sections form push-pull output stage (6 watts).

Pilot Lamp: 6.5 volts, 0.15 amp.

Record Unit: B.S.R. Monarch type UA8 four-speed auto-changer with Ful-Fi turnover crystal cartridge.

Notes: Audio sockets on the underside of the cabinet permit the use of tape play-back deck or radio unit. The shell or outer case of the co-axial socket is "earthy" and the plug link must be removed.

Loudspeakers: One 10-in. × 6-in., and two 4-in. mounted at the side.



CIRCUIT DIAGRAM—PHILCO "TRIO" MODEL 50